

HE SERIES ERV

Installation, Operation and Maintenance Manual

HE07IN

HE10IN



Model: HE10INV shown



⚠ WARNING

EC motors (ECM) are NOT suitable for use with solid state speed control. They already have speed control built into the motor electronics.

⚠ AVERTISSEMENT

Les moteurs EC (ECM) ne conviennent PAS pour une utilisation avec un contrôle de vitesse à semi-conducteurs. Ils ont déjà un contrôle de vitesse intégré à l'électronique du moteur.

⚠ WARNING**ARC FLASH AND ELECTRIC SHOCK HAZARD**

Arc flash and electric shock hazard. Disconnect all electric power supplies, verify with a voltmeter that electric power is off and wear protective equipment per NFPA 70E before working within electric control enclosure. Failure to comply can cause serious injury or death.

Customer must provide earth ground to unit, per NEC, CEC and local codes, as applicable.

Before proceeding with installation, read all instructions, verifying that all the parts are included and check the nameplate to be sure the voltage matches available utility power.

The line side of the disconnect switch contains live high-voltage.

The only way to ensure that there is NO voltage inside the unit is to install and open a remote disconnect switch and verify that power is off with a volt meter. Refer to unit electrical schematic. Follow all local codes.

⚠ CAUTION**RISK OF ELECTRIC SHOCK OR EQUIPMENT DAMAGE**

Whenever electrical wiring is connected, disconnected or changed, the power supply to the ERV and its controls must be disconnected. Lock and tag the disconnect switch or circuit breaker to prevent accidental reconnection of electric power.

⚠ CAUTION**RISK OF CONTACT WITH HIGH SPEED MOVING PARTS**

Disconnect all local and remote power supplies, verify with a voltmeter that electric power is off and all fan blades have stopped rotating before working on the unit.

Do not operate this unit with any cabinet panels removed.

IMPORTANT

This equipment is to be installed by following Industry Best Practices and all applicable codes. Any damage to components, assemblies, subassemblies or the cabinet which is caused by improper installation practices will void the warranty.

IMPORTANT

This unit is intended for general ventilating and heating only. Do not use to exhaust hazardous or explosive materials and vapors. Do not connect this equipment to range hoods, fume hoods or collection systems for toxics.


IMPORTANT

This unit is for ventilating finished structures only. It is not to be used until after all construction has been completed and construction debris and dust are cleaned from the Occupied Space.

READ AND SAVE THIS MANUAL/LIRE ET CONSERVER CE MANUEL

NOTICE

This manual contains space for maintaining written records of unit maintenance and/or repairs. See Section 7.7 Maintenance Records. At the time the ERV is commissioned, a maintenance schedule should be developed by the user to incorporate monthly and seasonal maintenance and include start up maintenance tasks as described in this manual.

 **NOTE:** This unit is an Energy Recovery Ventilator, or ERV. It is commonly referred to throughout this manual as an ERV.

UNIT INFORMATION

Record information as shown below.

In the unlikely event that factory assistance is ever required, information located on the unit label will be needed.

Locate the RenewAire unit label found on the outside of the unit.

NOTE: This information is for purposes of identifying the unit-specific option data from the Option Code.

Option Code:


HE - J I N - - - - - - - - - -

Serial Number:


- - - - -


SO #:

- - - - -

 **NOTE:** This page is to be completed by the installing contractor. The completed document is to be turned over to the owner after start up.

UNIT INFORMATION



Energy Recovery Ventilator 

201 Raemisch Rd Waunakee, WI 53597 (800) 627-4499
renewairesupport@renewaire.com

Option Code HE07-JINH-S15EE---GNT---L
Model/Modele HE07IN **Sales Order** 054254
Serial Number J23100018 C **Job Order** 29646-000 SCCR 5 KAIC

Power Supply to Unit Alimentation d'énergie à l'unité			Motors protected by IEC Style Motor Starters Les moteurs protégés par des dé moteur de modèle de IEC	
Voltage	Minimum Circuit Amps	Max Overcurrent Protection Device	(QTY) & W/HP	FLA
208-230V	2.6	15	None	-
60 HZ 1-Phase	Amp. Minimales de Circuit	Dispositif de protection maximum contre les surintensités	(QTY) & W/CV	APC
Motors Thermally Protected Moteurs protégé thermiquement			Motors Protected by Variable Frequency Drives Les moteurs protégés par la fréquence variable conduit	
(QTY) & W/HP	FLA	(QTY) & W/HP	FLA	
2@170 W	1.16	None	-	
(QTY) & W/CV	APC	(QTY) & W/CV	APC	

⚠ WARNING ⚠ AVERTISSEMENT

Danger of electric shock. Always disconnect power source before servicing. Do not install in a cooking area or make line-voltage electrical power connections directly between this unit and any appliance.
 Danger de choc électrique. Toujours déconnecter la source d'alimentation avant les réparations. N'installez pas de zone cuisine ou de ligne de tension les connexions d'alimentation électrique directement entre cette unité et tout.

130137_001

UNIT LABEL (TYPICAL)

1.0 OVERVIEW	7	5.4 ELECTRICAL REQUIREMENTS	22
1.1 DESCRIPTION	7	5.4.1 Factory-Recommended Electric Service Entry	22
1.2 AIRFLOW	8	5.4.2 Low Voltage Control System	23
2.0 COMPONENT DESCRIPTIONS	8	5.4.3 How to Reset the 24VAC Circuit Breaker	23
2.1 CABINET	8	5.4.4 Limits of Power Output	23
2.2 ENTHALPIC CORES	8	5.5 WIRING SCHEMATICS	24
2.3 IMPELLER/MOTOR ASSEMBLIES	8	5.6 EXTERNAL CONTROL CONNECTIONS	26
2.4 E-BOX	9	5.6.1 Fan Enable Field Circuit	26
2.5 FILTERS	9	5.6.2 Fan Speed Selection Field Circuit	26
2.6 FACTORY INSTALLED OPTIONS	9	5.6.3 Fan Speed Adjustment	26
3.0 SHIPPING/RECEIVING/HANDLING	10	5.6.4 Analog Signal for Controlling SPEED 2	26
3.1 UNIT WEIGHTS AND DIMENSIONS	10	5.7 QUICK-START FOR TESTING CORRECT 3PH WIRING	26
3.1.1 HE07IN Unit Dimensions and Weight	10	6.0 OPERATION	27
3.1.2 HE07IN Maximum Shipping Dimensions and Weight	10	6.1 PRINCIPLE OF OPERATION	27
3.1.3 HE10IN Unit Dimensions and Weight	10	6.2 PRE-START UP	27
3.1.4 HE10IN Maximum Shipping Dimensions and Weight	10	6.2.1 Verify Voltages	27
3.2 RIGGING AND CENTER OF GRAVITY	11	6.2.2 Verify Transformer Wiring	27
3.2.1 HE07IN/HE10IN Hoisting Weights and COG	11	6.2.3 Inspect Filters	27
3.3 RECEIVING	14	6.2.4 Inspect Foam Gasketing	27
3.4 STORAGE	14	6.2.5 Inspect Fans	27
4.0 UNIT PLACEMENT	15	6.2.6 Inspect and Clean the Cabinet Interior	27
4.1 BEFORE YOU BEGIN	15	6.2.7 Inspect Ductwork Connections	27
4.2 SERVICE CLEARANCES	15	6.3 UNIT START UP	27
4.3 SOUND ATTENUATION	17	6.3.1 Starting Up ECM Units	27
4.3.1 Ducts	17	6.4 BALANCING AIRFLOW	28
4.3.2 Radiated Noise	17	6.4.1 Filter Pressure Drop	29
4.3.3 Connecting Ducts to Unit	17	6.5 NORMAL OPERATION	30
5.0 INSTALLATION	18	6.6 OPERATION IN EXTREME COLD WEATHER	31
5.1 DUCTWORK	18	7.0 MAINTENANCE	31
5.1.1 Ducts to the Outside	18	7.1 MAINTENANCE 24 HRS. AFTER START UP	31
5.1.2 Inside Ductwork System	18	7.2 MAINTENANCE 30 DAYS AFTER START UP	31
5.1.3 Duct Insulation	18	7.3 MAINTENANCE SCHEDULE	31
5.1.4 Adjust Fan Speed to Set and Balance Airflow Rates	18	7.4 FILTERS	31
5.2 FLOOR INSTALLATION	18	7.5 IMPELLER MOTOR	31
5.3 SUSPENDED MOUNT	18	7.6 ENTHALPIC CORE	32
5.3.1 Hanging Unit From Structure	18	7.6.1 Enthalpic Core Maintenance	32
5.3.2 Hanging Vibration Isolators	18	7.6.2 Enthalpic Core Removal	32
5.3.3 Hanging Bracket Kit	19	7.6.3 Enthalpic Core Replacement	32
5.3.4 Ceiling Hanging with Access Doors Facing Down	20	7.7 MAINTENANCE RECORDS	33
5.3.5 Alternate Ceiling Hanging Arrangement	20	7.8 SERVICE PARTS	34
		8.0 TROUBLESHOOTING	35
		9.0 FACTORY ASSISTANCE	35

TABLE OF ILLUSTRATIONS

Figure 1.2.0 Airflow Orientations.....	8
Figure 2.4.0 E-Box Without Controls	9
Figure 3.2.0 HE07INH Weights and COG.....	11
Figure 3.2.1 HE07INV Weights and COG	11
Figure 3.2.2 HE10INH Weights and COG.....	12
Figure 3.2.3 HE10INV Weights and COG	12
Figure 3.2.4 HE07INH Weights and COG with Doors Facing Downward.....	12
Figure 3.2.5 HE07INV Weights and COG with Doors Facing Downward.....	13
Figure 3.2.6 HE10INH Weights and COG with Doors Facing Downward.....	13
Figure 3.2.7 HE10INV Weights and COG with Doors Facing Downward	14
Figure 4.2.0 HE07INH Service Clearances, Top View	15
Figure 4.2.1 HE07INV Service Clearances, Top View	15
Figure 4.2.2 HE10INH Service Clearances, Top View.....	16
Figure 4.2.3 HE10INV Service Clearances, Top View	16
Figure 5.3.0 Ceiling Hung with Optional Vibration Isolators	19
Figure 5.3.1 Hanging Bracket Kit.....	19
Figure 5.3.2 Ceiling Hanging Arrangement with Access Doors Facing Down.....	20
Figure 5.3.3 Alternate Ceiling Hanging Arrangement.....	20
Figure 5.4.0 E-Box Wiring Entry Points.....	22
Figure 5.5.0 Single Phase Unit, Standard	24
Figure 5.5.1 Three Phase Unit, Standard (HE10IN Only)	25
Figure 5.6.0 Field Circuit Detail.....	26
Figure 6.4.0 Pressure Port Locations	28
Figure 6.4.1 Initial Pressure Drop of MERV 8 Filters, Supplied with HE07	29
Figure 6.4.2 Initial Pressure Drop of MERV 13 Filters, Available as an HE07 Accessory.....	29
Figure 6.4.3 Initial Pressure Drop of MERV 8 Filters, Supplied with HE10	30
Figure 6.4.4 Initial Pressure Drop of MERV 13 Filters, Available as an HE10 Accessory	30
Figure 7.8.0 HE07IN Service Parts	34
Figure 7.8.1 HE10IN Service Parts.....	35

CONFIGURATION CODE

NOTE: Not all options are available on every model.

MODEL NUMBER	H	E			-	J	I	N								-	-											
DIGIT NUMBER	1	2	3	4	5	6	7	8	9	10	11	12	13	14	15	16	17	18	19	20	21	22	23	24	25			

Digits 1-5:	Model
"HE07-", "HE10-", "HE1.5", "HE-2X", "HE-3X", "HE-4X", "HE-6X", "HE-7X", "HE-8X"	

Digits 7-8:	Location
"IN" = Indoor "RT" = Rooftop	

Digit 9:	Orientation (see Restrictions 1 & 30)
"V", "H" (Indoor Units) "V", "H", "R", "F", "C" (Rooftop Units)	

Digit 10:	Vibration Isolation (see Restrictions 28 & 29)
"- " = None "N" = Neoprene Isolators "S" = Spring Isolators	

Digit 11:	Wall Type
"S" = Single "D" = Double	

Digit 12:	Phase (See Restriction 2, 8, 11, & 20)
"1" = Single Phase "3" = Three Phase	

Digit 13:	Voltage (see Restrictions 3, 4, 5, 6, 7, 11, 19, & 26)
"1" = 120V "4" = 460V "5" = 208-230V "8" = 575V "9" = 277V	

Digit 14:	SA Horsepower (see Restrictions 7, 8, 9, 10, 21, & 25)
"E" = EC Direct Drive Motors (HE07-, HE-10-, and HE1.5 only) "A" = Advanced EC Direct Drive Motorized Impellers (HE07- and HE10- only) "B" = Intermediate EC Direct Drive Motorized Impellers (HE07- only) "S" = Standard Impellers (HE1.5 only) "U" = 1.5HP (HE-2X only) "V" = 2HP (HE-2X, HE-3X, HE-4X only) "W" = 3HP (HE-3X, HE-4X, HE-6X, HE-7X, HE-8X only) "X" = 5HP (HE-3X, HE-4X, HE-6X, HE-7X, HE-8X only) "Y" = 7.5HP (HE-6X, HE-7X, HE-8X only) "Z" = 10HP (HE-7X, HE-8X only)	

Digit 15:	EA Horsepower (see Restrictions 7, 8, 9, 10, 21, & 25)
"E" = EC Direct Drive Motors (HE07-, HE-10-, and HE1.5 only) "A" = Advanced EC Direct Drive Motorized Impellers (HE07- and HE10- only) "B" = Intermediate EC Direct Drive Motorized Impellers (HE07- only) "S" = Standard Impellers (HE1.5 only) "U" = 1.5HP (HE-2X only) "V" = 2HP (HE-2X, HE-3X, HE-4X only) "W" = 3HP (HE-3X, HE-4X, HE-6X, HE-7X, HE-8X only) "X" = 5HP (HE-3X, HE-4X, HE-6X, HE-7X, HE-8X only) "Y" = 7.5HP (HE-6X, HE-7X, HE-8X only) "Z" = 10HP (HE-7X, HE-8X only)	

Digit 18:	Flow Control* (see Restrictions 12, 13, & 14)
"- " = No Isolation Dampers (with no Bypass) "D" = Motorized Damper both Airstreams (with no Bypass) "E" = Motorized Damper EA or RA Airstream (with no Bypass) "F" = Motorized Damper SA or OA Airstream (with no Bypass) "S" = Backdraft Damper OA Airstream (with no Bypass) "R" = Backdraft Damper EA Airstream (with no Bypass) "B" = Backdraft Damper both Airstreams (with no Bypass) "T" = Motorized Damper OA, Backdraft Damper EA (with no Bypass) "O" = Dry Bulb Face and Bypass Dampers only "1" = Dry Bulb Bypass with Motorized Dampers all Airstreams "4" = Dry Bulb Bypass with Backdraft Damper OA Airstream "5" = Enthalpy Face and Bypass Dampers only "6" = Enthalpy Bypass with Motorized Dampers all Airstreams "9" = Enthalpy Bypass with Backdraft Damper OA Airstream	

Digit 19:	Unit Control (see Restrictions 15, 16, 17, 18, 19, 20, 21, 24, & 27)
"A" = Standard Unit Control Wiring "D" = Independent Blower Control (HE1.5 only) "V" = Onboard VFD Both Airstreams with IE3 Premium Efficiency Motors "W" = Onboard VFD Both Airstreams with IE5+ Ultra Premium Efficiency Motors "G" = Terminal Strip for EC Motors or Impellers	

Digit 20:	Disconnect
"N" = Non-Fused (Standard) "F" = Fused	

Digit 21:	Unit Control Enhancements (see Restrictions 16 & 22)
"T" = Transformer with Isolation Relay (Standard) "1" = Enhanced Controls "2" = Premium Controls "3" = Enhanced Controls with BACnet License "4" = Premium Controls with BACnet License	

Digit 22:	Filter Options (see Restriction 22)
"- " = None (Standard) "F" = Filter Monitor Both Airstreams	

Digit 23:	Other Options
"- " = None (Reserved)	

Digit 24:	Paint and Customization
"- " = None "W" = White Paint "C" = Custom Paint "X" = Custom Unit	

Digit 25:	Safety Listing (see Restriction 23)
"L" = Listed "N" = Non-Listed	

*NOTES:
Digit 6 "J" = G5 Core Type. Digits 16 and 17 are not used in these models.
*Digit 18: For units with the Bypass Option, the face damper also acts as an isolation damper in the EA or RA airstream.

1.0 OVERVIEW

1.1 DESCRIPTION

The HE07IN/HE10IN Energy Recovery Ventilator (ERV) is a device for recovering both sensible energy (heat) and latent energy (moisture) from the Exhaust Air from an Occupied Space and injecting those energies into an incoming Outside Air stream. It accomplishes this task by forcing the two airstreams through enthalpic cores, where the energy exchange takes place. The two airstreams pass through the enthalpic cores at right angles and the airstreams never mix together. See Section 2.2 Enthalpic Cores in this manual.

Each ERV has two electric impellers, one for each airstream. Impellers have electronically commutated motors controlled by a printed circuit board, a RenewAire Commercial Controller, or by a BMS. There are a number of different control devices available to control the operation or speed of the unit fans. For further information on available control accessories, see the HE RenewAire catalog.

There are two types of HE07/HE10 units, one for indoor installations and one for rooftop, or outdoor, installation. This manual is for the HE07IN/HE10IN, which is the indoor unit. For information on the outdoor version of this product, see the *HE07RT/HE10RT Installation and Operation Manual*.

These ERVs are commonly installed as part of an air-handling system that provides heating and cooling of Supply Air. They can also be installed to operate as stand-alone devices when ducted directly to and from the Occupied Space.

Each unit has an integral 24VAC power supply that is used internally and can also be used as a power source for other optional control devices.

The HE07IN/HE10IN units are low-maintenance, requiring periodic replacement of the air filters and annual vacuuming of the enthalpic cores. See Section 7.0 Unit Maintenance in this manual.

IMPORTANT

It is important to understand and use the equipment airstream terminology as it is used in this manual. The airstreams are defined as:

- ♦ OUTSIDE AIR (OA): Air taken from the external atmosphere and, therefore, not previously circulated through the system.
- ♦ SUPPLY AIR (SA): Air that is downstream of the enthalpic cores and is ready for conditioning or for return to the Occupied Space.
- ♦ RETURN AIR (RA): Air that is returned to the ERV from a conditioned space.
- ♦ EXHAUST AIR (EA): Air that is removed from a heating or cooling appliance or from the Occupied Space and discharged.

1.2 AIRFLOW

There are two different airflow options for the HE07IN/HE10IN. They are:

- HE07INV/HE10INV
- HE07INH/HE10INH

The airflow configuration is indicated by digit 9 of the Configuration Code.

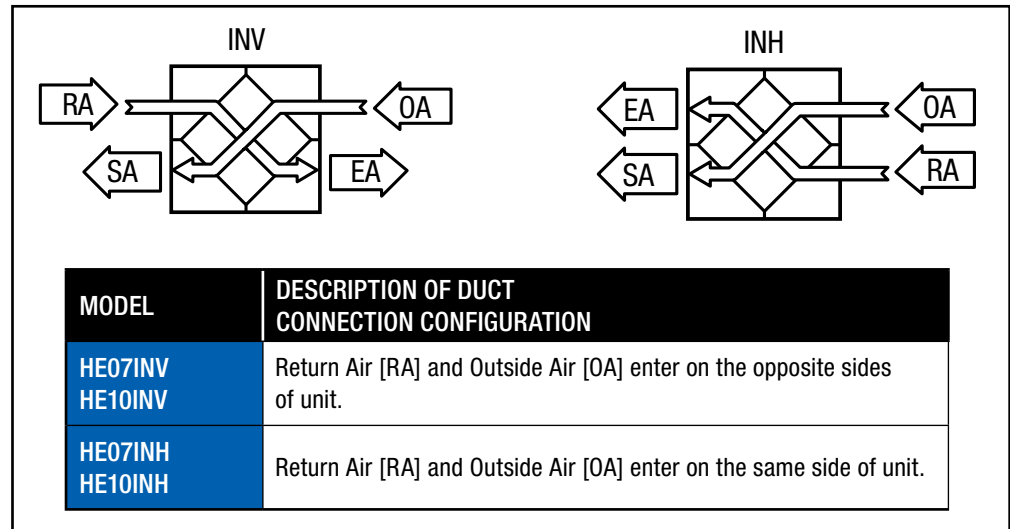


FIGURE 1.2.0 AIRFLOW ORIENTATIONS

2.0 COMPONENT DESCRIPTIONS

2.1 CABINET

The cabinet for the HE07IN/HE10IN is made of 20 gauge galvanized steel and has 1" thick high-density, foil-backed insulation on the inside. Units are available in either single-wall or double-wall construction. Doors are hinged and are fitted with stainless steel machine screws through the faces to prevent accidental opening of the doors when the unit is in operation. Doors may be completely removed by removing the hinge pins. Duct flanges are available as an accessory for all airstream openings for connection of field-supplied ductwork.

2.2 ENTHALPIC CORES

All HE07IN/HE10IN ERVs use a static-plate enthalpic core. The enthalpic cores transfer both latent and sensible energies between the airstreams. Gasketing is pre-installed on the cores and must be positioned to provide a proper air seal. For information on annual maintenance of the cores, see Section 7.0 Maintenance in this manual.

2.3 IMPELLER/MOTOR ASSEMBLIES

There are two impeller and motor assemblies in each ERV.

CAUTION

Low airflow can cause fouling of the enthalpic cores. The ERV must never be operated without clean filters in place and minimum airflow must be greater than 250 CFM per full-sized core.

2.4 E-BOX

Every HE07IN/HE10IN is equipped with what is known as an “E-Box.” High-voltage supply wiring and low-voltage control wiring is all terminated here. If optional integrated programmable controls are installed, an additional 24VAC transformer is installed here to power both the controller and its dedicated sensors.

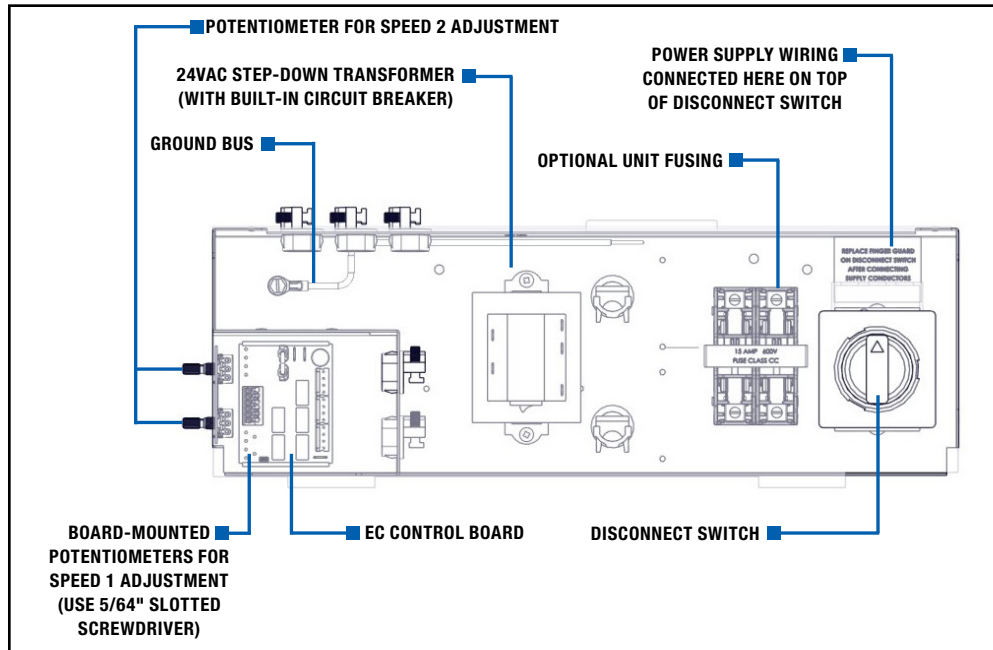


FIGURE 2.4.0 E-BOX WITHOUT CONTROLS

2.5 FILTERS

All HE07IN units come equipped with two MERV 8 14" x 20" x 2" (nominal) pleated filters. All HE10IN units come equipped with two MERV 8 20" x 20" x 2" (nominal) pleated filters. MERV 13 filters can be ordered as an accessory and are shipped loose.

- HE07IN: (2) 14" x 20" x 2" (nominal) pleated filters. Actual size: 13.5" x 19.5" x 1.75"
- HE10IN: (2) 20" x 20" x 2" (nominal) pleated filters. Actual size: 19.5" x 19.5" x 1.75"
- Minimum recommended effectiveness: MERV 6.

2.6 FACTORY INSTALLED OPTIONS

All HE07IN/HE10IN units can be ordered with factory installed options. See Unit Configuration Code on page 6.

Options will have supplemental manuals shipped with the unit.

For Commercial Controls, see *Enhanced Controls Supplemental Manual* or *Premium Controls Supplemental Manual*.

For Filter Alarm, see *Filter Alarm Supplemental Manual*.

For Isolation Dampers, see *Isolation Dampers Supplemental Manual*.

For Economizer/Bypass, see *Bypass Economizer Supplemental Manual*.

3.0 SHIPPING/RECEIVING/HANDLING

HE07IN/HE10IN units are palletized at the factory and then shipped by common carrier. Upon receipt by the installer, the shipment should be inspected for shipping damage, prior to unloading. Any discovered shipping damage should be immediately reported to the RenewAire sales rep and the damage must be recorded on the Bill Of Lading, prior to signing for acceptance of the shipment. The unit can be handled with a fork lift or equipment hoist. Prior to moving the unit, verify that all latches and securing bolts on the cabinet doors are tightly fastened.

If an equipment hoist is used for moving the HE07IN/HE10IN unit, unscrew the sheet metal plates that hold the unit to the pallet. Use straps and a spreader bar to hoist the unit. The straps must be spaced to ensure the unit is level and the center of gravity is positioned properly between them. Unit hoisting weights and Center of Gravity are detailed in Sections 3.1 and 3.2 in this manual.

Perform a test lift to make sure the unit is being hoisted level and is secure.

Place the HE07IN/HE10IN unit on a flat surface where it will be protected from the weather and incidental damage. Do not remove protective coverings from any duct openings and keep the doors secured and tightly closed.

3.1 UNIT WEIGHTS AND DIMENSIONS

3.1.1 HE07IN Unit Dimensions and Weight:

49 1/2" L x 17 1/2" W x 50 1/4" H
148-278 lbs., varies by option(s)

3.1.2 HE07IN Maximum Shipping Dimensions and Weight

60" L x 30" W x 55 1/4" H
310 lbs.

3.1.3 HE10IN Unit Dimensions and Weight:

49 1/2" L x 23 3/4" W x 50 1/4" H
194-350 lbs., varies by option(s)

3.1.4 HE10IN Maximum Shipping Dimensions and Weight

60" L x 30" W x 55 1/4" H
385 lbs.

3.2 RIGGING AND CENTER OF GRAVITY

3.2.1 HE07IN/HE10IN Hoisting Weights and COG

Spreader bars and straps are recommended in order to avoid damage to the unit.

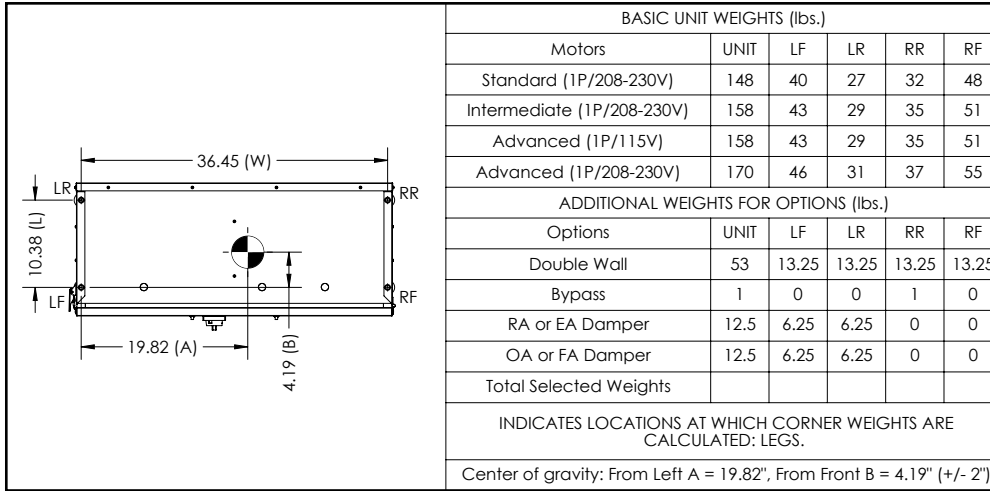


FIGURE 3.2.0 HE07INH WEIGHTS AND COG

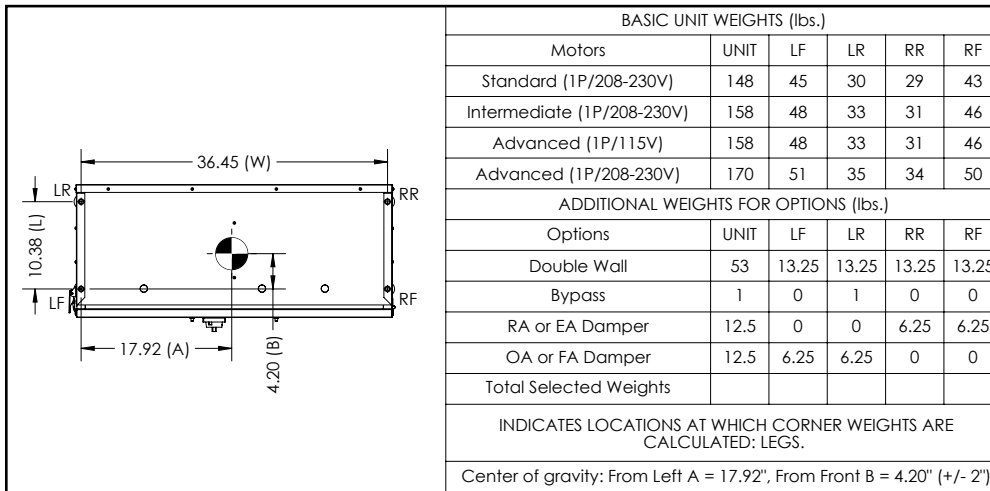


FIGURE 3.2.1 HE07INV WEIGHTS AND COG

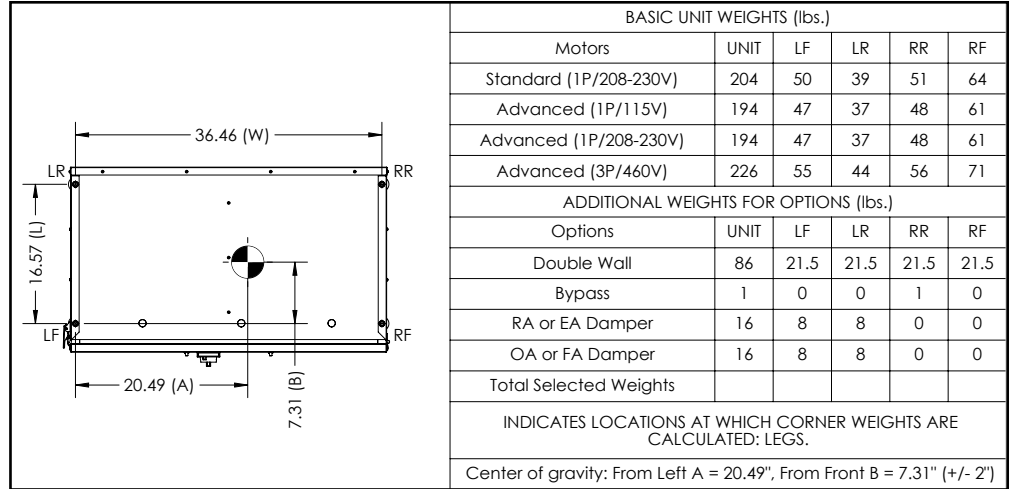


FIGURE 3.2.2 HE10IH WEIGHTS AND COG

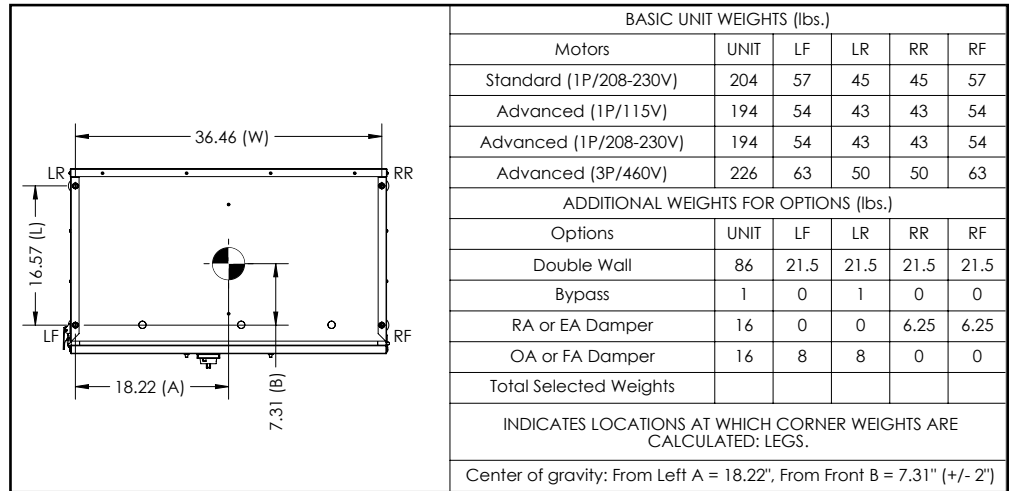


FIGURE 3.2.3 HE10INV WEIGHTS AND COG

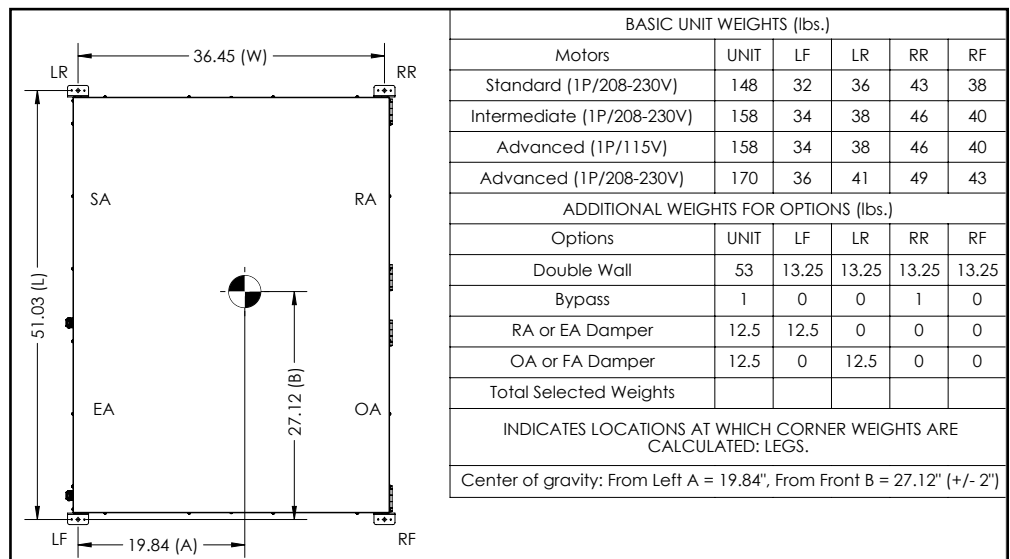


FIGURE 3.2.4 HE07IH WEIGHTS AND COG WITH DOORS FACING DOWNWARD

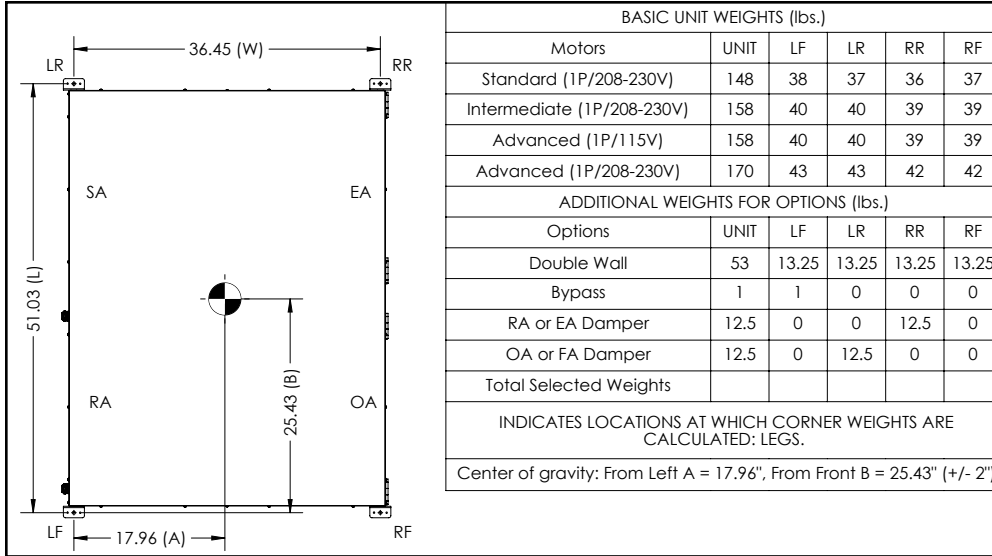


FIGURE 3.2.5 HE07INV WEIGHTS AND COG WITH DOORS FACING DOWNWARD

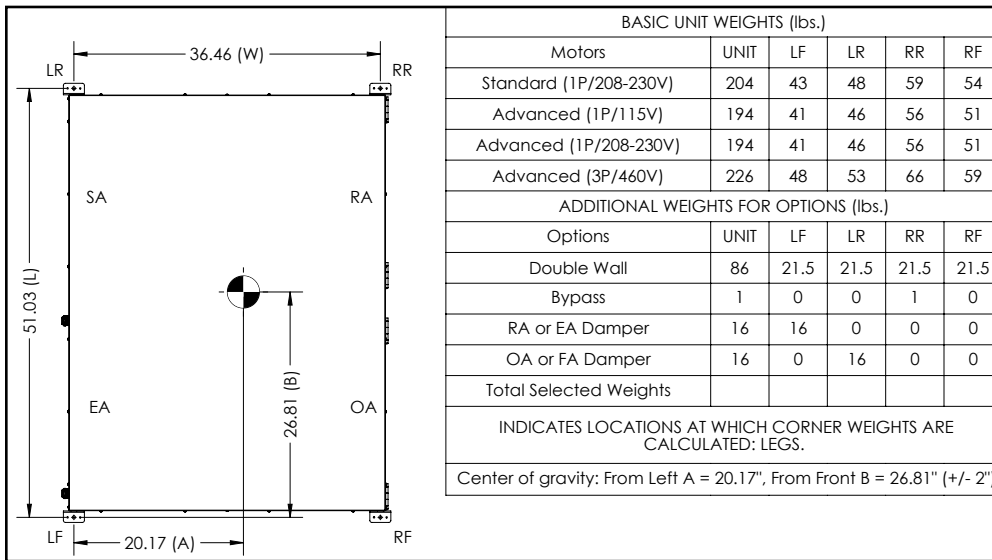


FIGURE 3.2.6 HE10INH WEIGHTS AND COG WITH DOORS FACING DOWNWARD

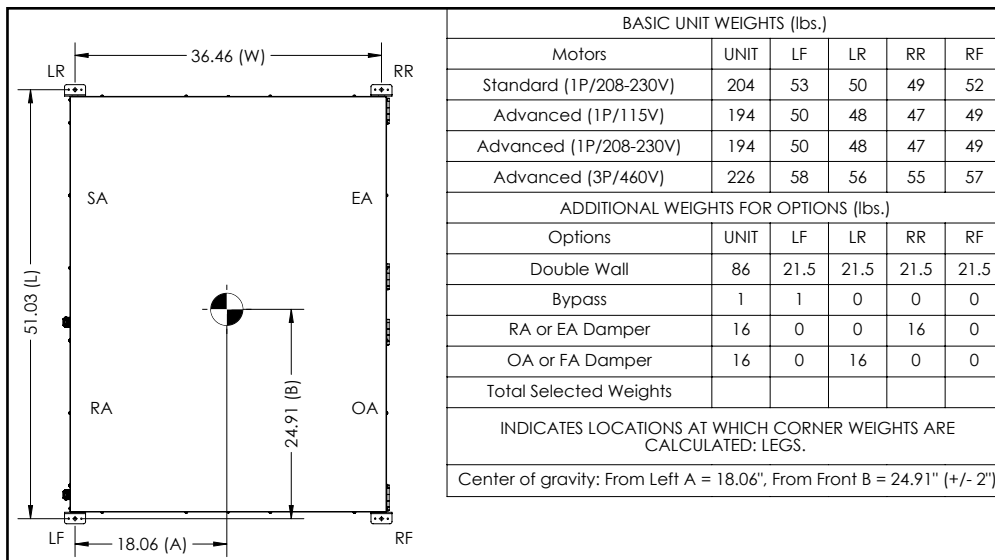


FIGURE 3.2.7 HE10INV WEIGHTS AND COG WITH DOORS FACING DOWNWARD

3.3 RECEIVING

Upon receipt of the HE07IN/HE10IN, inspect the unit for obvious external damage. If damage is observed, take digital pictures and report the damage to your RenewAire representative. Note the damage on the carrier’s Bill of Lading. Depending on expected transport and storage conditions, the unit may have only the duct openings covered, it may be stretch-wrapped or it may be crated. Do not unwrap the unit at this time. The unit will normally be moved to its final location while still wrapped and attached to its pallet.

The preferred method of hoisting the HE07IN/HE10IN from the carrier truck is by using a construction forklift or a crane.

Once the unit is unwrapped, prevent dirt and debris from entering the cabinet by covering any duct openings that do not have attached dampers. Keep the duct openings covered until it’s time to connect ductwork.

3.4 STORAGE

Units that must be stored prior to installation should be left on their pallets and protected from weather and physical damage. Units must be placed on a level surface to prevent wacking of the pallet and the HE07IN/HE10IN. All access doors must be secured with all available hardware (door latches and securing bolts) and all openings into the cabinet must be sealed to prevent entry of dust, dirt and debris.

4.0 UNIT PLACEMENT

4.1 BEFORE YOU BEGIN

The HE07IN/HE10IN is designed for installation in a sheltered location, out of the weather. The preferred mounting location is to place the unit on a concrete floor, although it can also be suspended from a ceiling or other structural support. See Section 5.3, Suspended Mount, in this manual.

For all installations, maintain needed service clearances as shown on the dimensioned drawings located in Section 4.2 of this manual. In addition, if the optional Bypass Economizer is ordered, additional clearance will be required for the extra bypass duct. See the RenewAire Supplemental Manual for Bypass Economizer or further information and clearance details specific to the HE07IN/HE10IN units.

For all floor-mount installations, the unit should be set on its factory-provided adjustable legs and leveled. Select a location that is central to the inside duct runs and close to both the exhaust duct (to the outside) and also to the OA duct (from the outside).

The EA outlet and the OA inlet on the outside of the building should be at least 10' apart to avoid cross-contamination. Comply with all local building codes in the positioning of the duct openings. Do not position the EA outlet in a location where it will dump EA into any enclosed or occupied space. The duct inlets and outlets should be screened against insects and vermin and should be shielded from the weather to prevent entry of rain or snow.

4.2 SERVICE CLEARANCES

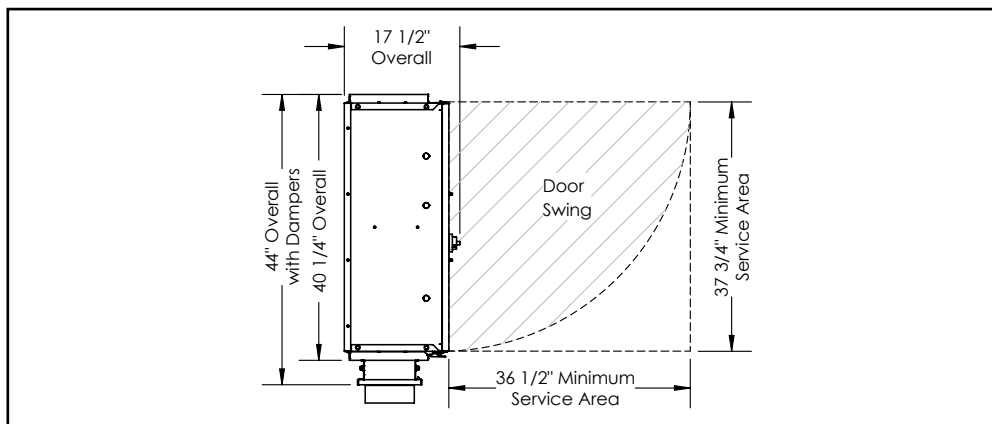


FIGURE 4.2.0 HE07INH SERVICE CLEARANCES, TOP VIEW

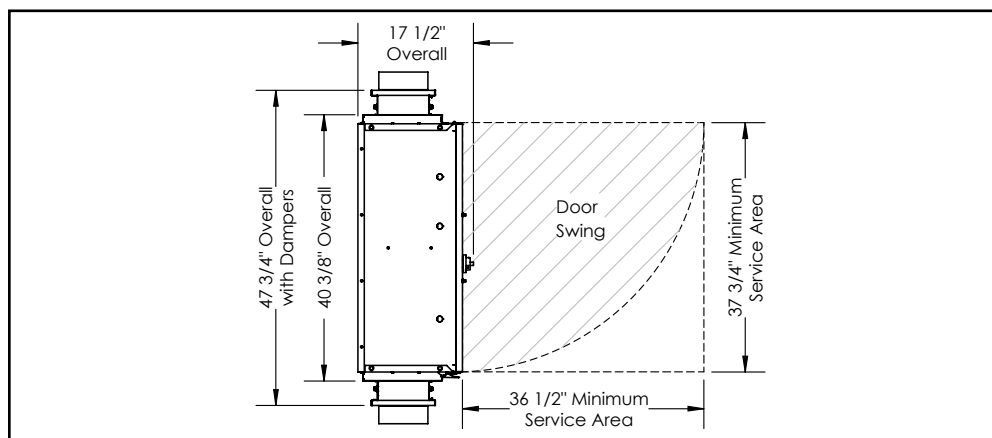


FIGURE 4.2.1 HE07INV SERVICE CLEARANCES, TOP VIEW

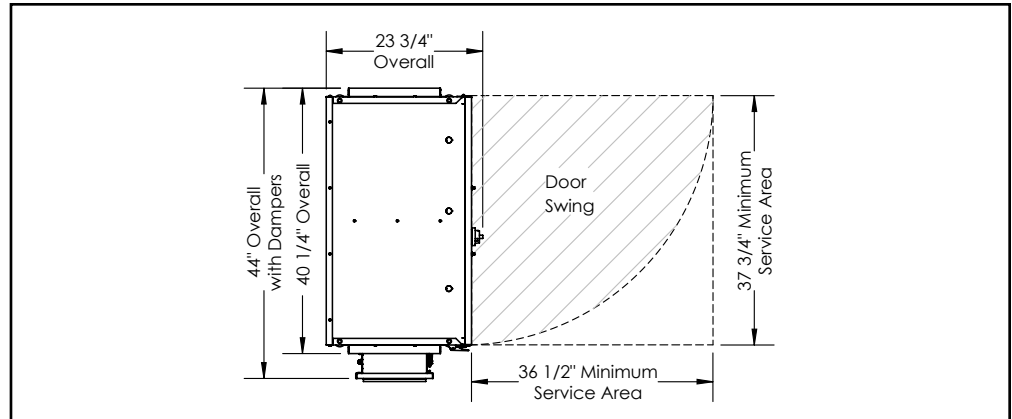


FIGURE 4.2.2 HE10INH SERVICE CLEARANCES, TOP VIEW

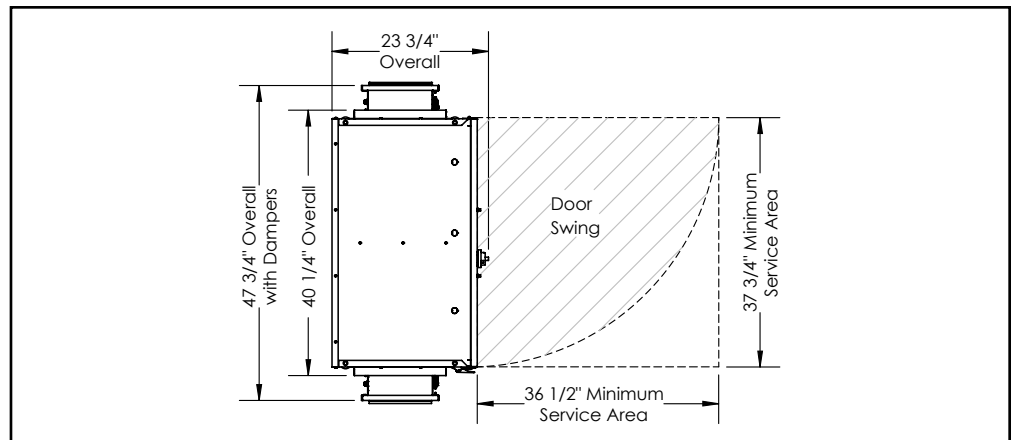


FIGURE 4.2.3 HE10INV SERVICE CLEARANCES, TOP VIEW

⚠ CAUTION

It is the installer's responsibility to make sure that the screws or bolts used for securing the units are properly selected for the loads and substrates involved. Secure the HE07IN/HE10IN so that it cannot fall or tip in the event of accident, structural failure or earthquake. See Rigging Information for unit weight.

4.3 SOUND ATTENUATION

Take these simple steps to attenuate noise from the unit.

4.3.1 Ducts

Make sure the ductwork at the unit outlets is stiff enough to resist the flexure and resulting booming associated with system start up and shut off, as well as the turbulent flow conditions at the impeller outlets.

In general, provide smooth transitions from the ERV's outlets to the duct. The ducts connecting to the outlets should be straight for a sufficient distance, with gradual transitions to the final duct size.

These guidelines are consistent with SMACNA recommended duct layout practices for efficient and quiet air movement. Follow SMACNA guidelines.


4.3.2 Radiated Noise

The HE07IN/HE10IN is insulated with Expanded Polystyrene (EPS) foam. This provides significant attenuation of radiated sound from the unit itself.


The inlet ducts can be significant sources of radiated sound as well. The RA duct should be insulated for sound control. This insulation should start at the unit. At a minimum the first 10' of duct should be insulated. All parts of the SA and RA ducts located in a mechanical space with noise-generating equipment also should be insulated for sound control, both to minimize sound radiation out of the RA duct, and also to control sound radiation into both ducts.

4.3.3 Connecting Ducts to Unit

Flanged duct connections are available as an accessory for the duct connections of the HE07/10INH units. These allow for connection of ducts insulated on the inside or the outside, or for installation of lined duct. Please refer to dimension drawings for duct flange sizes.

 **NOTE:** Ducts inside a building that are connected to the outside must be insulated with a sealed vapor barrier on both the inside and the outside of the insulation.

⚠ CAUTION
Tape both inner and outer vapor barriers of insulated duct to collars on duct adapters. This is critical to prevent migration of moisture into insulation. Build-up of moisture can result in failure of the duct system and/or frost in the insulation. Make sure any tears in the inner and outer vapor barriers are sealed.

 **NOTE:** To prevent the entry of rain through the outside air inlet duct, observe the following:

1. Velocity at face of inlet hood should not exceed 500 FPM.
2. Inlet duct must be at least 12" inside diameter.
3. Centerline length along duct from weather hood to unit inlet must be at least 48".
4. Inlet duct must pitch downward to the outside; centerline of inlet hood must be at least 18" below the centerline of the unit inlet.
5. Outlet duct must pitch downward to the outside with a slope of at least ¼" to the foot.

5.0 INSTALLATION

5.1 DUCTWORK

5.1.1 Ducts to the Outside

The exhaust outlet and fresh air inlet on the outside of the building should be at least 10' apart to avoid cross-contamination. The exhaust outlet should not dump air into an enclosed space or any other structure. The inlets and outlets should be screened against insects and vermin and shielded from the weather to prevent the entry of rain or snow.

Ducts connecting the HE07IN/HE10IN to the outside must be insulated, with sealed vapor barrier on both inside and outside of the insulation. Insulate both the OA and EA ducts.

5.1.2 Inside Ductwork System

Follow Engineer's Ductwork Design; ductwork should be designed by an engineer to allow the unit to provide the required airflow.

5.1.3 Duct Insulation

If the inside ducts run through un-conditioned spaces, they must be insulated, with a sealed vapor barrier on both inside and outside of insulation.

5.1.4 Adjust Fan Speed to Set and Balance Airflow Rates

In most applications, the airflow rate for both the SA and the EA should be roughly equal (or "balanced") for best performance of the HE07IN/HE10IN unit. See unit specification sheet for CFM/ESP operating envelopes for available motors.

5.2 FLOOR INSTALLATION

Most units are installed in a location specified by others. In general, it's preferable to install the unit on a flat, reasonably level surface, such as a concrete floor. The factory-installed leveling legs are to be used to level the unit before connecting ductwork. When positioning the unit, it is not to be slid on its adjustable legs because they can be bent.

5.3 SUSPENDED MOUNT

5.3.1 Hanging Unit From Structure

HE07IN/HE10IN units can also be suspended from a ceiling or other structural member and may be hung in any orientation. The preferred method of support is to remove the four adjustable legs and bolt heavy-gauge Unistrut or other structural channels to the underside of the unit, using the 3/8"-16 threaded holes where the adjustable legs were located. Install 3/8"-16 bolts through the channels, into the bottom of the unit. Support the channels from threaded rods, located in an appropriate location that maintains required service clearances.

5.3.2 Hanging Vibration Isolators

When suspending HE07IN/HE10IN units from a ceiling or structure, it may be necessary to isolate the unit from transmitting vibration to the structural members. Hanging Vibration Isolators are available as an accessory for the HE07IN/HE10IN. Use the corner weights depicted in Figures 3.2.0 through 3.2.3 to select isolators with the proper load ratings. The isolators are designed for use with 3/8" threaded rod. Attach the threaded rod to the support rails for the unit as shown in Figure 5.3.0. For mounting details, see the isolator specification sheets at the links below.

https://www.thevmcgroup.com/Frontend/Media/Model%20HS-1B%2020-85%20lbs.%20Spring%20hangers%201%20inch%20deflection_rev.5.pdf

https://www.thevmcgroup.com/Frontend/Media/Model%20HS-1C%202050-370%20lbs.%20Spring%20hangers%201%20inch%20deflection_rev.6.pdf

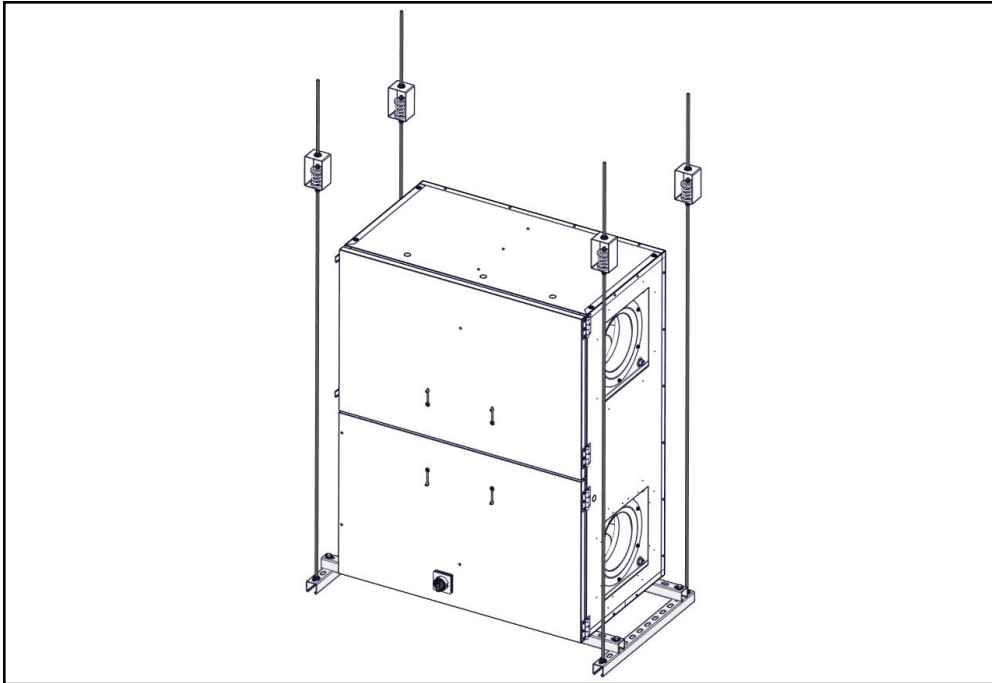


FIGURE 5.3.0 CEILING HUNG WITH OPTIONAL VIBRATION ISOLATORS

5.3.3 Hanging Bracket Kit

The HE07IN/HE10IN can also be mounted to structural members using the Hanging Bracket Kit, available as an accessory. Remove the four adjustable legs and use the included $3/8$ "-16 bolts and washers to attach the hanging brackets to the unit as shown in Figure 5.3.1. The hanging brackets may be attached directly to a structural member or used in combination with threaded rod and the hanging vibration isolators (see Section 5.3.4). If the spacing of the unit mount points does not fit the application, the hanging brackets may alternatively be attached directly to the cabinet using (16) #12 x $3/4$ " long self-tapping sheet metal screws (not provided). Ensure that the unit is adequately supported at all four corners and that the placement of the brackets maintains required service clearances.

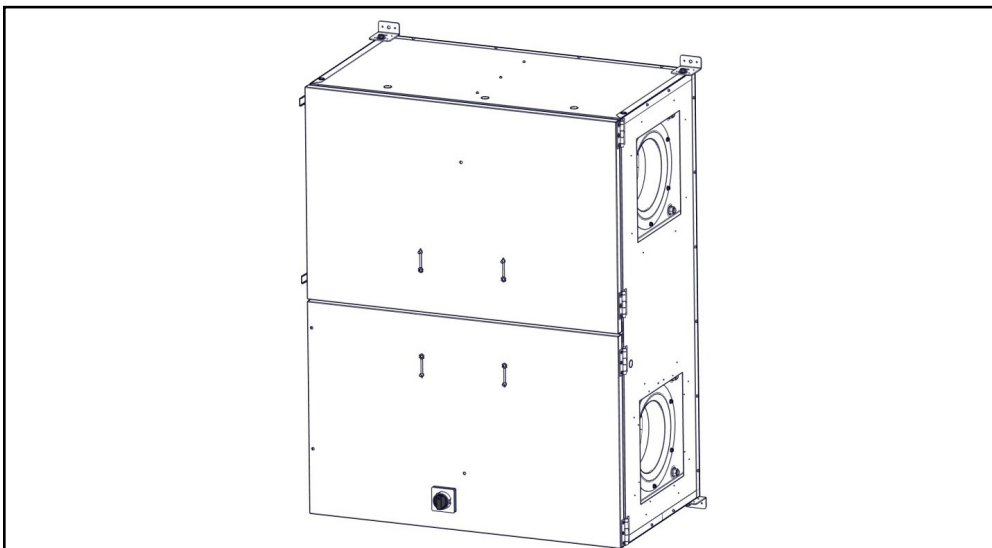


FIGURE 5.3.1 HANGING BRACKET KIT

5.3.4 Ceiling Hanging with Access Doors Facing Down

For applications where the unit access doors must face downward, the Hanging Bracket Kit may be used in combination with threaded rod and the hanging vibration isolators described in section 5.3.2. Use the corner weights depicted in Figures 3.2.4 through 3.2.7 to select isolators with the proper load ratings.

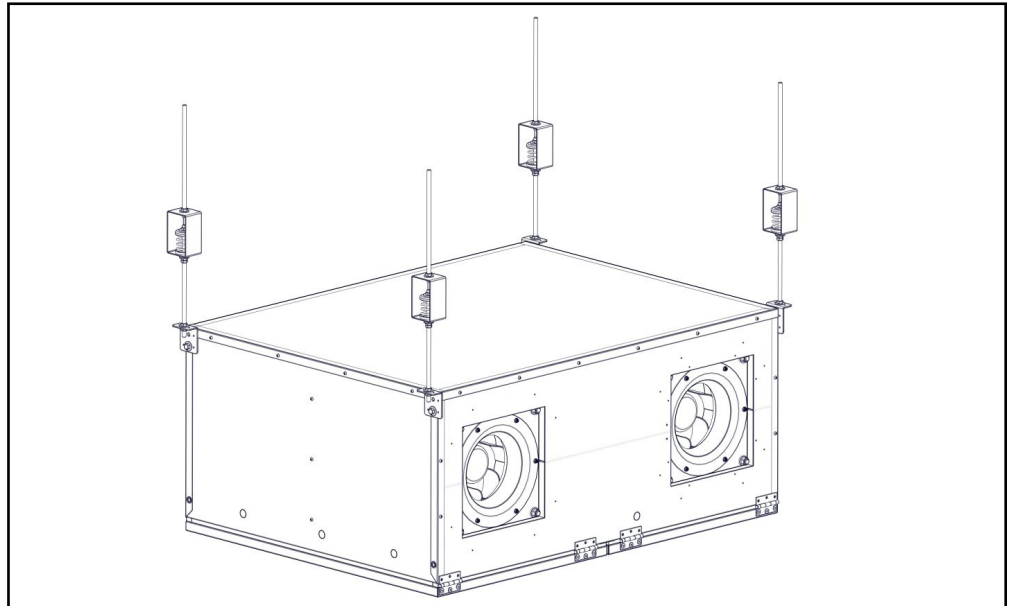


FIGURE 5.3.2 CEILING HANGING ARRANGEMENT WITH ACCESS DOORS FACING DOWN

5.3.5 Alternate Ceiling Hanging Arrangement

For instances where the Hanging Bracket Kit will not be used, it is also acceptable to bolt support members by others directly to the unit at the corner rivet nuts. Use (4) 3/8"-16 bolts and washers to attach support members (such as angle iron) to the unit as shown in Figure 5.3.3. Then attach 3/8" threaded rod to the support members near each of the four corners of the unit. Ensure that the unit is adequately supported at all four corners and that the placement of the support members and threaded rod maintains required service clearances.

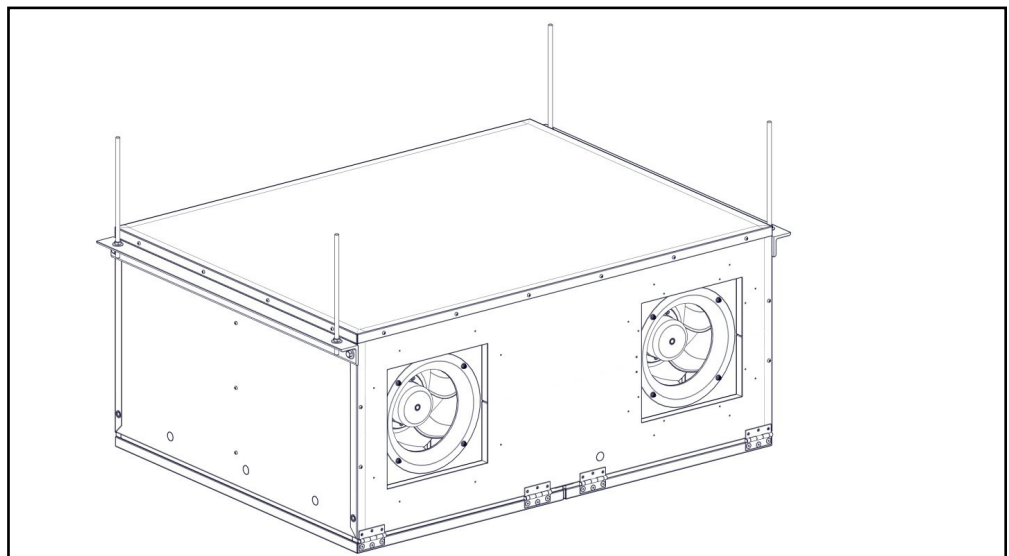


FIGURE 5.3.3 ALTERNATE CEILING HANGING ARRANGEMENT

THIS PAGE IS INTENTIONALLY LEFT BLANK.



5.4 ELECTRICAL REQUIREMENTS

Electrical Options and Ratings are identified on the Unit Label (located near electrical box). Find the complete Unit Model Number in the lower left corner of the Unit Label.

⚠ CAUTION

Before bringing power to the unit check unit nameplate to confirm it matches the voltage and phase of the power you are supplying. Remember that your field connections need to be accessible for inspection.



NOTE: Your unit is equipped with EC Motors (ECM).

Use conduit, strain reliefs, etc. as required by code to secure the field wiring.

5.4.1 Factory-Recommended Electric Service Entry

The HE07IN/10IN has an internal E-box in the lower left corner of the unit. 7/8" knockouts are provided on the sides and bottom of the unit for high-voltage power and low-voltage control entry. Install the wiring in accordance with local codes and provide strain relief at the E-box opening.

High-voltage supply wiring is to be connected on the top side of the disconnect switch. See image below.

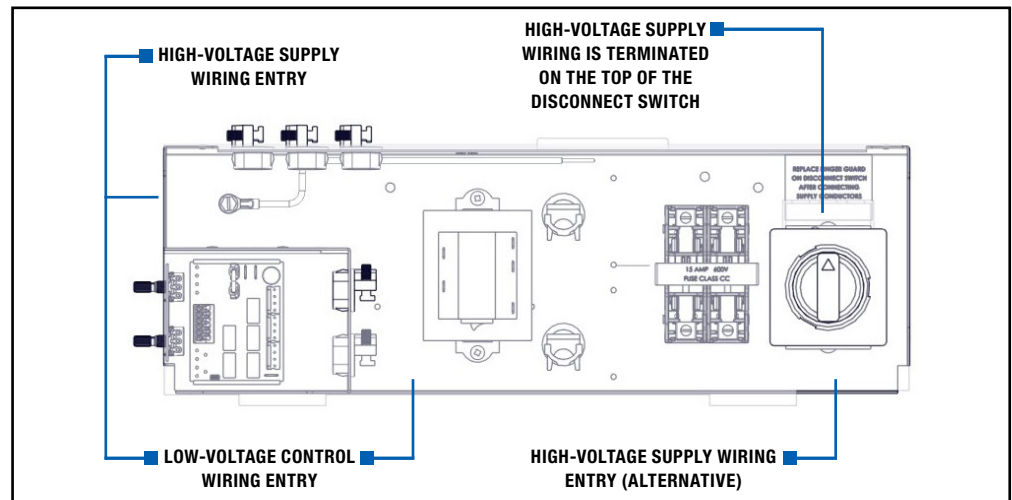


FIGURE 5.4.0 E-BOX WIRING ENTRY POINTS

5.4.2 Low Voltage Control System

This ERV is provided with a Class II 24VAC power supply system that operates the unit's EC control board. The ERV's 24VAC Power Supply can also be used to power the externally-installed controls system: up to 8VA of power is available.

The unit's power supply system includes isolation relay(s) so you can use external controls whose contact ratings are as low as 50 mA (1.2 VA). Also, it is possible to operate the isolation relays with 24VAC power from an external source (with proper wiring connections).

A built-in circuit-breaker prevents damage to the transformer and other low-voltage components in the event of a short-circuit or overload. In extreme cases, the transformer itself is designed to fail safely.

Specifications:

- Nominal Output Voltage under load: 24VAC
- Typical Output Voltage at no load: 29–31 V
- Minimum contact rating for connected control device: 50 mA (1.2 VA)
- Circuit Breaker Trip Point: 3 A

⚠ CAUTION
<ol style="list-style-type: none"> 1. Connect only to components intended for use with 24VAC power. 2. Do not undersize the low-voltage wires connected to this device. Observe the wire length and gauge limits indicated in this manual. 3. Do not overload this unit's 24VAC power supply system. Confirm that the power requirements of devices you connect to this power supply system do not exceed 8VA in total. 4. If an external source of 24VAC power is used to control the unit, consult the wiring schematics and connect the external power only to the specified terminals in order to avoid damaging the unit or external controls. Connect only CLASS II power to the control terminals of this unit.

NOTICE
<p>If primary-side voltage is 230VAC, move black primary-side lead from transformer's "208V" terminal to the transformer's terminal marked "240V" ("230V" in some units). Do not move the black primary-side lead that is connected to the transformer's "COM" terminal.</p>

5.4.3 How to Reset the 24VAC Circuit Breaker

If the transformer is subjected to an excessive load or a short circuit, the circuit breaker will trip to prevent the failure of the transformer. When it trips the circuit breaker's button pops up. Shut off the primary-side power to the unit, and remove the excessive load or the short. The circuit breaker can be reset about fifteen seconds after it trips by pressing in the button.

5.4.4 Limits of Power Output

If limits on wire gauge and length are observed, you may connect control devices that draw up to 8VA to the blue and red wires. More than one device can be connected as long as total steady-state load does not exceed 8VA.

Wire Gauge	#22	#20	#18	#16	#14	#12
Circuit Length	100'	150'	250'	400'	700'	1000'
<p>"Circuit Length" is distance from ERV to Control Device.</p> <p>Observe these limits to wire length and gauge in order to ensure reliable operation of the control system.</p>						

⚠ CAUTION
<p>Be careful if the external control system provides 24VAC power at its control output: make sure blue and red leads are separately capped and not connected to any other wires.</p>

5.5 WIRING SCHEMATICS

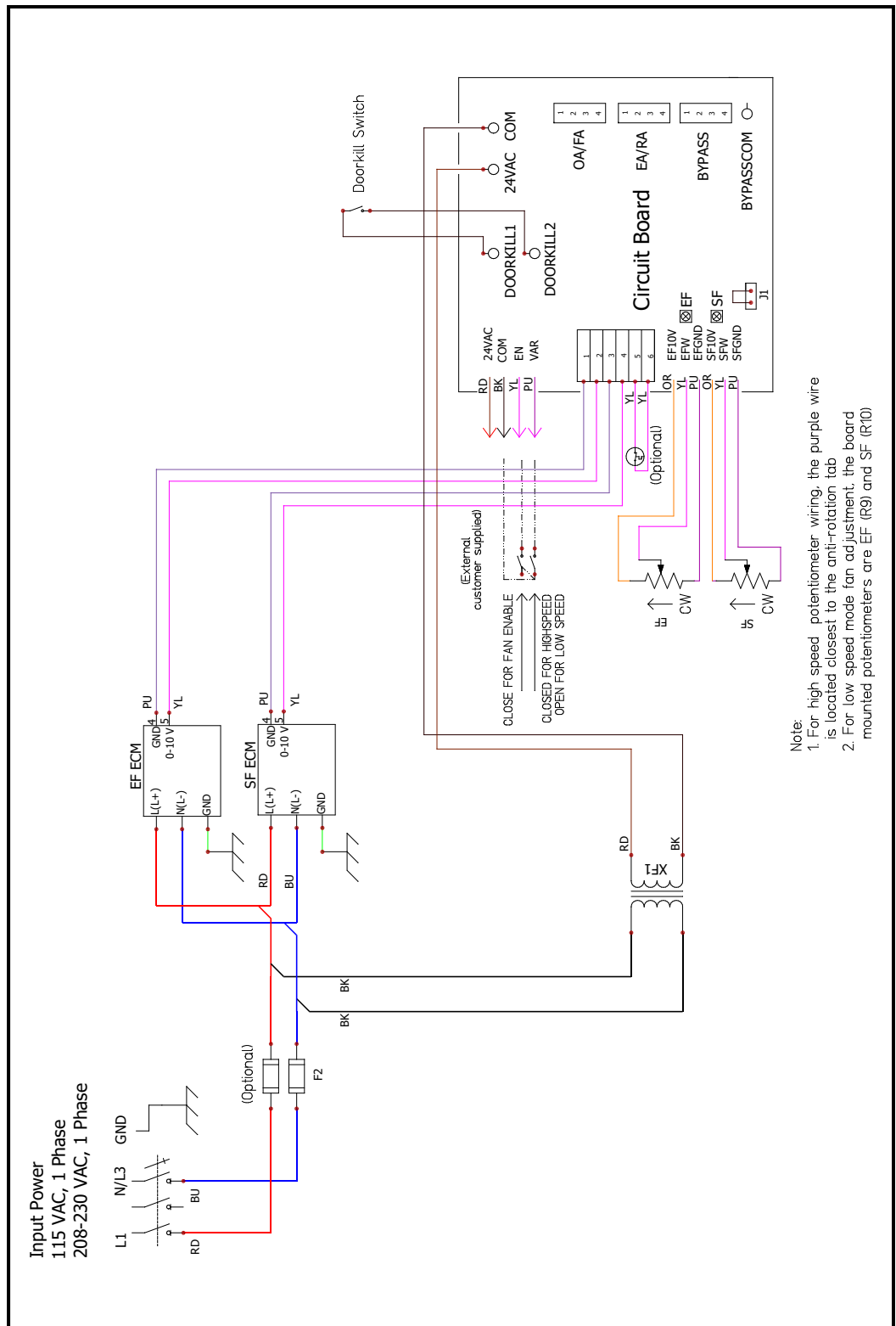


FIGURE 5.5.0 SINGLE PHASE UNIT, STANDARD

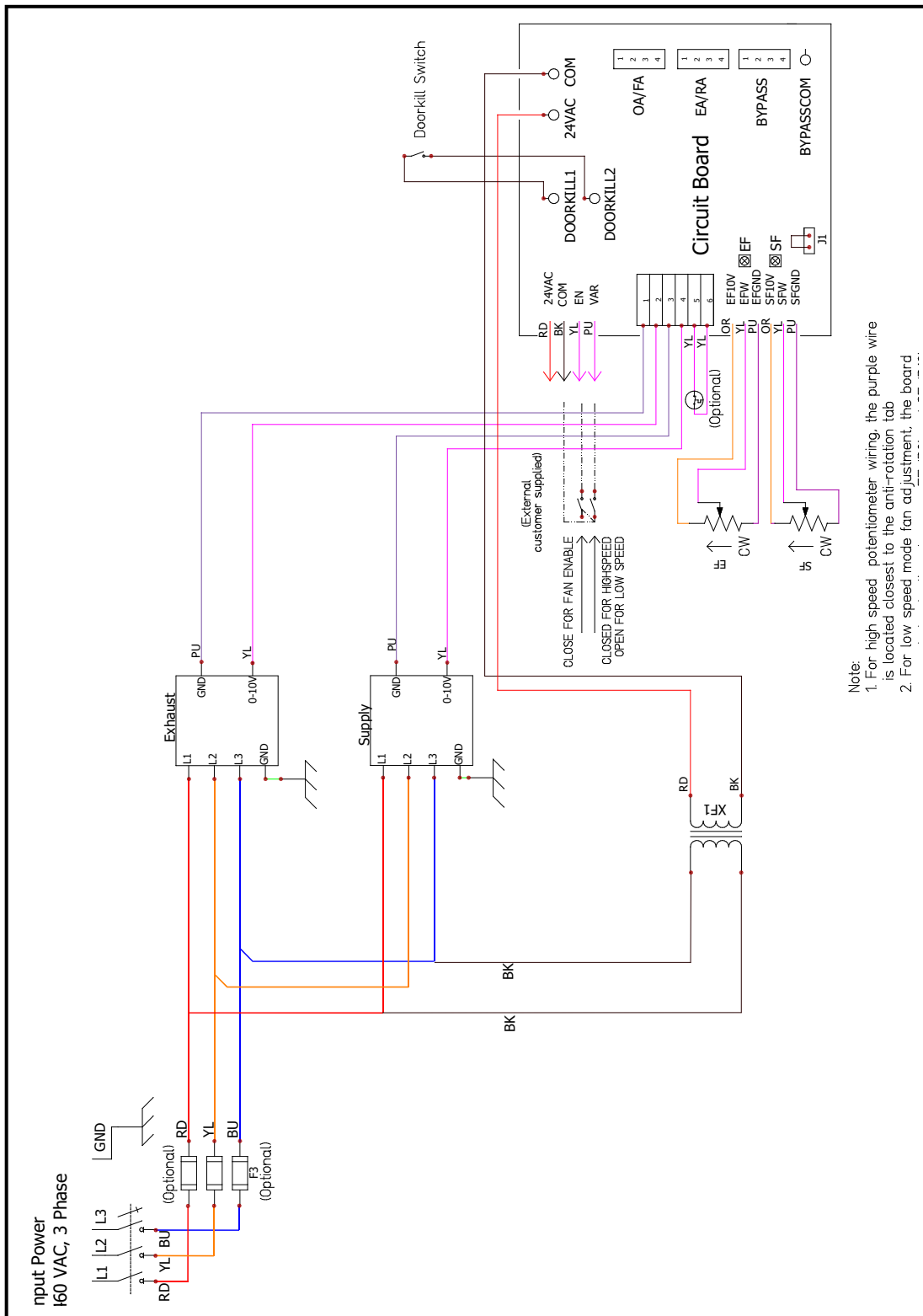


FIGURE 5.5.1 THREE PHASE UNIT, STANDARD (HE10IN ONLY)

NOTE: The simplified schematics below show only the relevant portions of the low-voltage control circuit in the ERV unit and representational external control approaches. See the complete unit schematics above.

5.6 EXTERNAL CONTROL CONNECTIONS

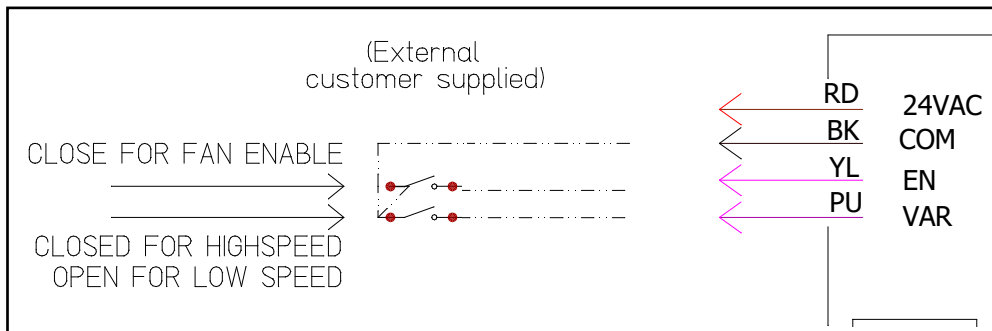


FIGURE 5.6.0 FIELD CIRCUIT DETAIL

CAUTION
Make sure the control provides no voltage or current at its output terminals.

5.6.1 Fan Enable Field Circuit

The standard control board on the HE07IN/HE10IN is designed for fan enable via a single switch or field circuit.

- To enable fan operation for both fans, close contact between the yellow EN wire and the black COM wire.

5.6.2 Fan Speed Selection Field Circuit

The standard control board on the HE07IN/HE10IN is designed for two-speed operation, with each speed enabled via a single switch or field circuit.

- To enable SPEED 1 for both fans, open contact between the purple VAR wire and the black COM wire.
- To enable SPEED 2 for both fans, close contact between the purple VAR wire and the black COM wire.

5.6.3 Fan Speed Adjustment

The standard control board on the HE07IN/HE10IN allows for field adjustment of SPEED 1 and SPEED 2 via trimming potentiometers.

- SPEED 1 is set using the two board-mounted trimming potentiometers labeled EF for the exhaust fan and SF for the supply fan. Use a 5/64" slotted screwdriver to adjust SPEED 1 for each fan. Turn the potentiometers gently to avoid damaging the control board. Do not force them to turn past the end stop.
- SPEED 2 is set using the two panel-mounted trimming potentiometers labeled EA/RA motor for the exhaust fan and OA/SA Motor for the supply fan. Turn the potentiometers by hand or use a slotted screwdriver to adjust SPEED 2 for each fan.

5.6.4 Analog Signal for Controlling SPEED 2

To utilize an external 0–10VDC analog signal for SPEED 2:

1. Remove each panel mounted potentiometer by cutting the wires at the potentiometer.
2. Connect the remote analog signal to the yellow wire from the potentiometer.
3. Connect the remote signal ground to the purple wire from the potentiometer.
4. Cap the orange wire from the potentiometer with a wire nut.

5.7 QUICK-START FOR TESTING CORRECT 3PH WIRING

All units that run on 3 phase power should be test-run immediately after high voltage wiring connections are made. This will verify that the three phases are properly connected, that the dampers will open and close properly and the fans are working properly.

For purposes of testing correct phase connections, the internal 24VAC power supply will be used to power-up the fans and all external control devices will be disabled, when applicable.

NOTE: Any changes to unit low-voltage wiring should be made with the disconnect switch in the "OFF" position.

6.0 OPERATION

6.1 PRINCIPLE OF OPERATION

The HE07IN/HE10IN has one basic purpose: to exhaust air from a structure and bring in SA from outside, while transferring heating or cooling energy from the EA to the SA.

The HE07IN/HE10IN is a very simple device, and will accomplish this purpose as long as the impeller is able to move air through the enthalpic core.

6.2 PRE-START UP

6.2.1 Verify Voltages

Using a voltmeter, test the input voltages as supplied to the disconnect switch. Refer to Digit 13 of the unit Configuration Code to find the rated voltage. The supplied voltage must be within +/- 10% of the rated voltage.

6.2.2 Verify Transformer Wiring

Units with 230VAC power source are shipped with the transformer wired for 208VAC. If the unit is receiving 230VAC, make sure the black primary-side wire on the transformer's 208V terminal has been moved to the 230V terminal.

6.2.3 Inspect Filters

Clean filters must be installed prior to fan start up.

6.2.4 Inspect Foam Gasketing

Inspect the gasketing to make sure there are no gaps allowing air movement around the cores or filters.

6.2.5 Inspect Fans

Prior to start up, the fans should be rotated by hand to make sure that the impeller is not rubbing anywhere and that they turn freely.

6.2.6 Inspect and Clean the Cabinet Interior

During the construction and installation phases of a project, dust, dirt and debris will often accumulate inside a unit. Thoroughly clean the inside of the unit by vacuuming and/or wiping metal surfaces with a damp rag.

6.2.7 Inspect Ductwork Connections

Ducts attached to the ERV must be firmly attached, sealed and supported in accordance with installation instructions and SMACNA guidelines.

6.3 UNIT START UP

6.3.1 Starting Up ECM Units

Units equipped with standard control do not require any external controlling signals and only require turning on the disconnect switch, located on the E-Box or cabinet access door. When the disconnect switch is turned "ON" any dampers will first move into their correct operating positions and then a speed signal is supplied to the motorized impellers, causing the fans to run.

Some units equipped with standard control are wired to receive an actuating signal from an external source. If there is an external actuation signal source, verify the type of signal and that it is wired according to the low-voltage wiring diagrams found in Section 5.5 of this manual. Turn "ON" the disconnect switch and then turn "ON" the actuating device. After any dampers have moved into their correct positions, a speed signal is supplied to the motorized impellers, causing the fans to run.



NOTE: The door interlock switch will prevent the fans from turning on if the access door on that side is open.

IMPORTANT

It is important to balance the airflows after the unit is operational and all ductwork has been installed. Balancing the airflows is typically required by state and/or local codes, and is often specified by the HVAC design engineer.

Optimum efficiency of the enthalpic cores is achieved when the airstreams are properly balanced.



NOTE: ERV airflows are to be balanced after all ductwork is installed.

Balancing of airflows is typically required by local or state building codes or by the HVAC design engineer.



NOTE: The tubing should extend in the pressure port approx. 1".



NOTE: These ports have been carefully located on the unit as to give you the most accurate airflow measurement. Do not relocate pressure ports.

6.4 BALANCING AIRFLOW

Airflow should be occurring in both airstreams. Sometimes the easiest place to confirm that air is moving is at a supply vent.

If exact airflow is critical, it may be desirable to permanently install flow measuring stations and manometers in the ductwork connected to the unit. These also can be used to determine when filters should be cleaned or changed.

Equipment Required:

- A magnehelic gauge or other device capable of measuring 0–1.5 in. water of differential pressure.
- 2 pieces of natural rubber latex tubing, 1/8" ID, 1/16" Wall works the best.

Procedure:

The individual differential static pressures (DSP) can be measured using the installed pressure ports located in the front of the units core access doors.

- To read SCFM of SA install the “high” pressure side (+) of your measuring device to the OA port and the “low” pressure side (-) to the SA port.
- To read SCFM of RA install the “high” pressure side (+) of your measuring device to the RA port and the “low” pressure side (-) to the EA port.
- Use the reading displayed on your measurement device to cross reference the CFM output using the conversion chart.

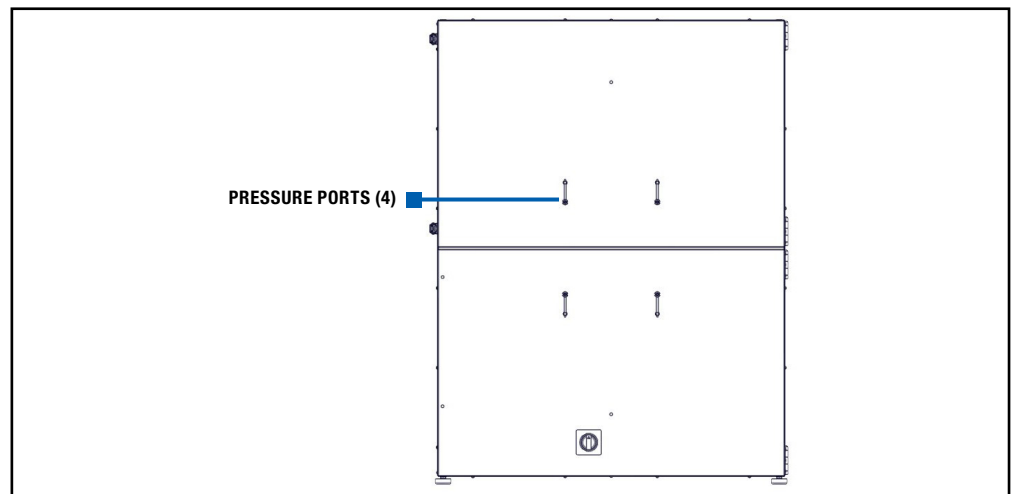


FIGURE 6.4.0 PRESSURE PORT LOCATIONS

DIFFERENTIAL STATIC ACROSS CORE DSP VS. CFM												
HE07IN	DP (H ₂ O)	DSP	0.20	0.30	0.40	0.50	0.60	0.70	0.80	0.90	1.00	1.10
	Supply air (SA)	CFM	150	230	310	380	460	540	610	690	760	840
	Return Air (RA)	CFM	150	230	310	380	460	540	610	690	760	840
HE10IN	DP (H ₂ O)	DSP	0.20	0.30	0.40	0.50	0.60	0.70	0.80	0.90	1.00	1.10
	Supply air (SA)	CFM	230	350	460	580	690	810	920	1040	1150	1270
	Return Air (RA)	CFM	230	350	460	580	690	810	920	1040	1150	1270

CAUTION
 The proper operating airflow range for these models are:
 HE07IN: 166–694 CFM
 HE10IN: 250–1100 CFM.

6.4.1 Filter Pressure Drop

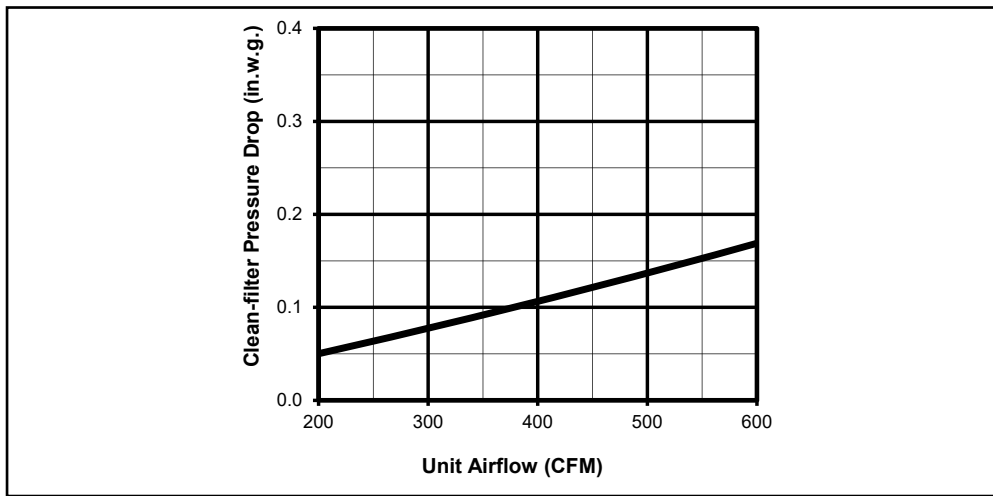


FIGURE 6.4.1 INITIAL PRESSURE DROP OF MERV 8 FILTERS, SUPPLIED WITH HE07

NOTE: Clean filter pressure drop is included in unit airflow performance tables.

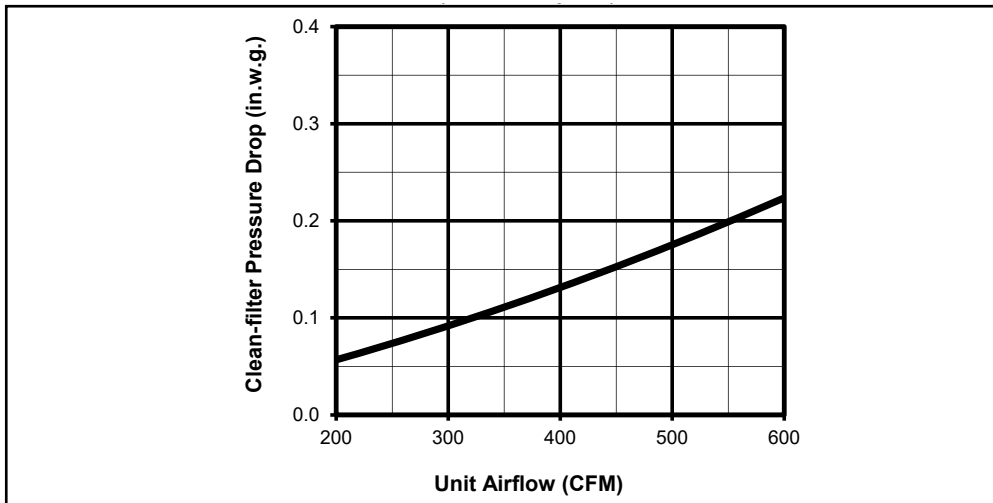



FIGURE 6.4.2 INITIAL PRESSURE DROP OF MERV 13 FILTERS, AVAILABLE AS AN HE07 ACCESSORY

 NOTE: Clean filter pressure drop is included in unit airflow performance tables.

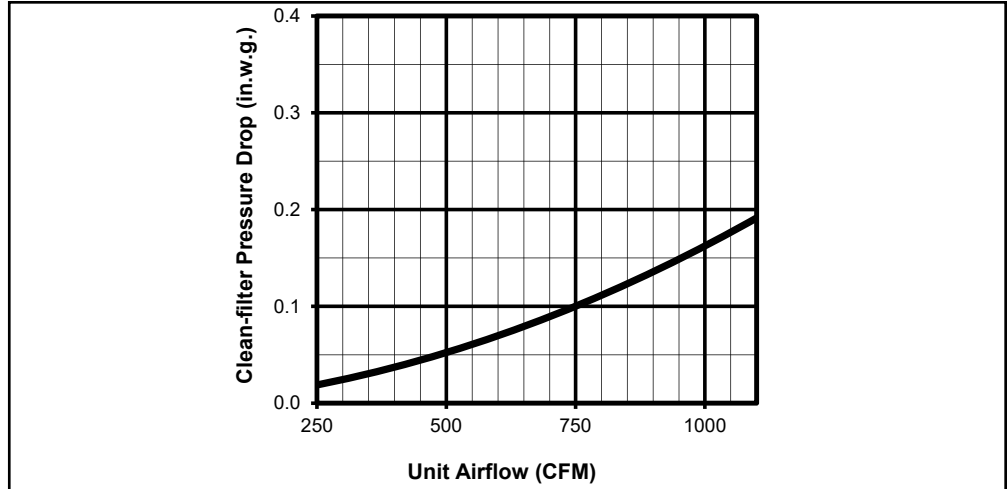


FIGURE 6.4.3 INITIAL PRESSURE DROP OF MERV 8 FILTERS, SUPPLIED WITH HE10

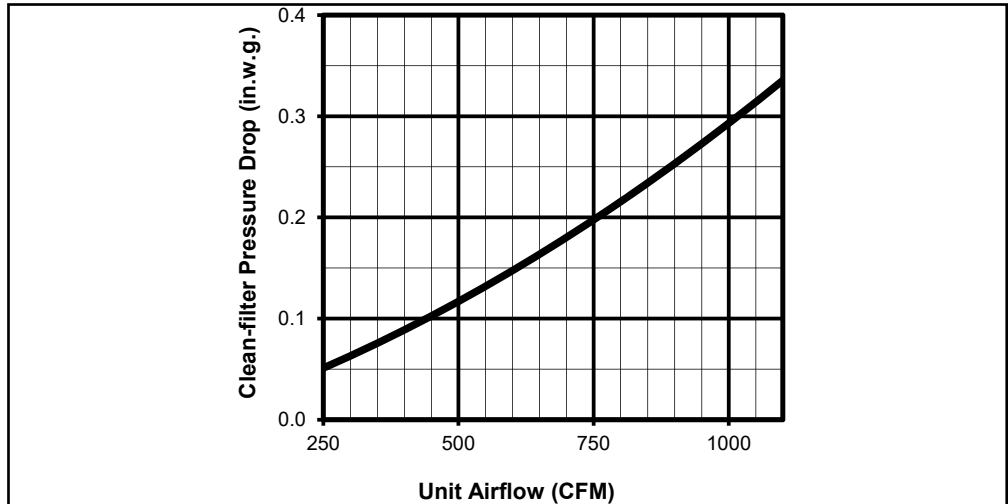


FIGURE 6.4.4 INITIAL PRESSURE DROP OF MERV 13 FILTERS, AVAILABLE AS AN HE10 ACCESSORY

6.5 NORMAL OPERATION

A wide variety of control schemes may be selected by the engineer, installer, or owner to meet the ventilation needs of the facility. These may include timer clocks, occupancy sensors, dehumidistats (for cool-weather operation), carbon dioxide sensors, and others. DDC systems may also control the unit. Most control schemes will operate the unit only when needed.

Continuous operation is acceptable in virtually all conditions. Unit will not be damaged by continuous operation as long as airflow occurs. Impeller motors may overheat if filters become completely blocked due to lack of maintenance. Motors are thermally protected. With continuous operation, some external frosting may occur in very cold weather (see Section 6.6).

6.6 OPERATION IN EXTREME COLD WEATHER

HE07IN/HE10IN units are capable of operating without internal frosting at temperatures down to -10°F, with indoor humidity below 40%. The units can operate under more severe conditions occasionally with little or no impact on their performance. At lower humidities, they can operate at still lower outside temperatures without freezing the enthalpic cores.

Some condensation or even frost may form on the outside of the unit or drip off the cabinet during very cold conditions, especially if the unit runs continuously. Exterior condensation during extreme cold conditions can be reduced or prevented by periodically cycling the unit “OFF” for several minutes to allow the cabinet to warm up.

7.0 MAINTENANCE

RenewAire ERVs are built to operate with minimal maintenance. After unit commissioning, the primary areas of attention are the air filters and annual vacuuming of the enthalpic cores.

7.1 MAINTENANCE 24 HRS. AFTER START UP

24 hours after unit start up:

- In new installations, check the air filters since they will often collect dust, dirt, and debris at time of start up.

7.2 MAINTENANCE 30 DAYS AFTER START UP

After 30 days of operation:

- Tighten all electrical connections.
- Check the air filters as part of the normal monthly maintenance.

7.3 MAINTENANCE SCHEDULE

Experience on the part of the service person is the most important issue in establishing a maintenance schedule. There will be times of the year when frequent inspection of the filters will be required, such as spring and summer when there may be pollen, dust, dirt or debris from budding trees and bushes that can clog the filters. Also see Section 7.7 Maintenance Records in this manual.

7.4 FILTERS

Inspection and replacement of air filters is the most frequent maintenance issue. For units that do not have filter air pressure differential sensors, filters must be visually inspected monthly, at a minimum. If a filter looks discolored or dirty, REPLACE IT! When installing new filters, DO NOT USE filter sprays. Residue from the filter spray could migrate to the enthalpic core media and damage the cores.

For units that have filter air pressure differential sensors, a dirty filter alarm will occur on the connected alarm or control device.

Filter cleanliness and replacement is the most important and frequent maintenance issue. Dirty filters will cause an immediate reduction in operating efficiency of the ERV. Normally, filters should be inspected and changed when they are dirty. Paper filters are not to be cleaned, they are to be replaced.

In general, if a filter looks dirty, replace it. The best indication of dirty filters is to check the pressure drop across the filter banks with an optional filter monitor. If it is not possible to check the pressure drop, the rule of thumb would be to change the filters every two months.

7.5 IMPELLER MOTOR

The motor needs no lubrication. If necessary vacuum clean the impeller at the same time you clean the face of the energy exchange element (annually).

⚠ WARNING

Danger of injury if unit starts unexpectedly. Switch power off at service disconnect. Lock-out/tag-out the disconnect.

⚠ WARNING

Danger of Electrical Shock when servicing an installed unit.

ALWAYS DISCONNECT POWER SOURCE BEFORE SERVICING! More than one disconnect switch may be required.

Proper Wiring Size Selection and Wiring Installation are the Responsibility of the Electrical Contractor.

7.6 ENTHALPIC CORE

⚠ CAUTION

RISK OF DAMAGE TO ENTHALPIC CORES

Whenever working within the ERV cabinet, protect the enthalpic cores from accidental damage. The core media is subject to damage from dropped tools or other foreign objects.

7.6.1 Enthalpic Core Maintenance

The enthalpic core media is a fibrous material that must be kept clean at all times. As a minimum, cores should be cleaned once per year.

- DO NOT WASH OR ALLOW THE ENTHALPIC CORES TO GET WET.
- DO NOT EXPOSE THE ENTHALPIC CORES TO HIGH HEAT OR FLAMES.
- DO NOT DIRECT COMPRESSED AIR AT THE CORE MEDIA.
- DO NOT REMOVE THE ENTHALPIC CORES FROM THE ERV UNLESS NECESSARY.
- USE CAUTION WHEN WORKING AROUND THE ENTHALPIC CORES. DO NOT DROP TOOLS OR OTHER OBJECTS ON THE CORES, DO NOT BUMP OR TWIST THE CORES.

To access enthalpic cores for cleaning, remove the air filters.

To clean enthalpic cores, all exposed surfaces must be vacuumed with an attachment having long, soft bristles. The greatest buildup of dirt and dust will normally be on the leading 1–2 inches of the inlet side (closest to the air filters).

7.6.2 Enthalpic Core Removal

Before removing enthalpic cores, switch the main disconnect to “OFF.” Open the door to the Energy Recovery Module and simply pull the core straight out of its guides.

7.6.3 Enthalpic Core Replacement

Cores have foam gasketing on one end of each core. The core should be reinstalled so that the foam gasketing is toward the back of the ERV and the core label is facing toward the front.

7.7 MAINTENANCE RECORDS

MAINTENANCE LOG					
ENTER DATES OF SERVICE					
OA FILTER CHANGE	RA FILTER CHANGE	INSPECTION/ CLEANING	CLEAN CORE	CLEAN IMPELLERS	INITIALS

7.8 SERVICE PARTS

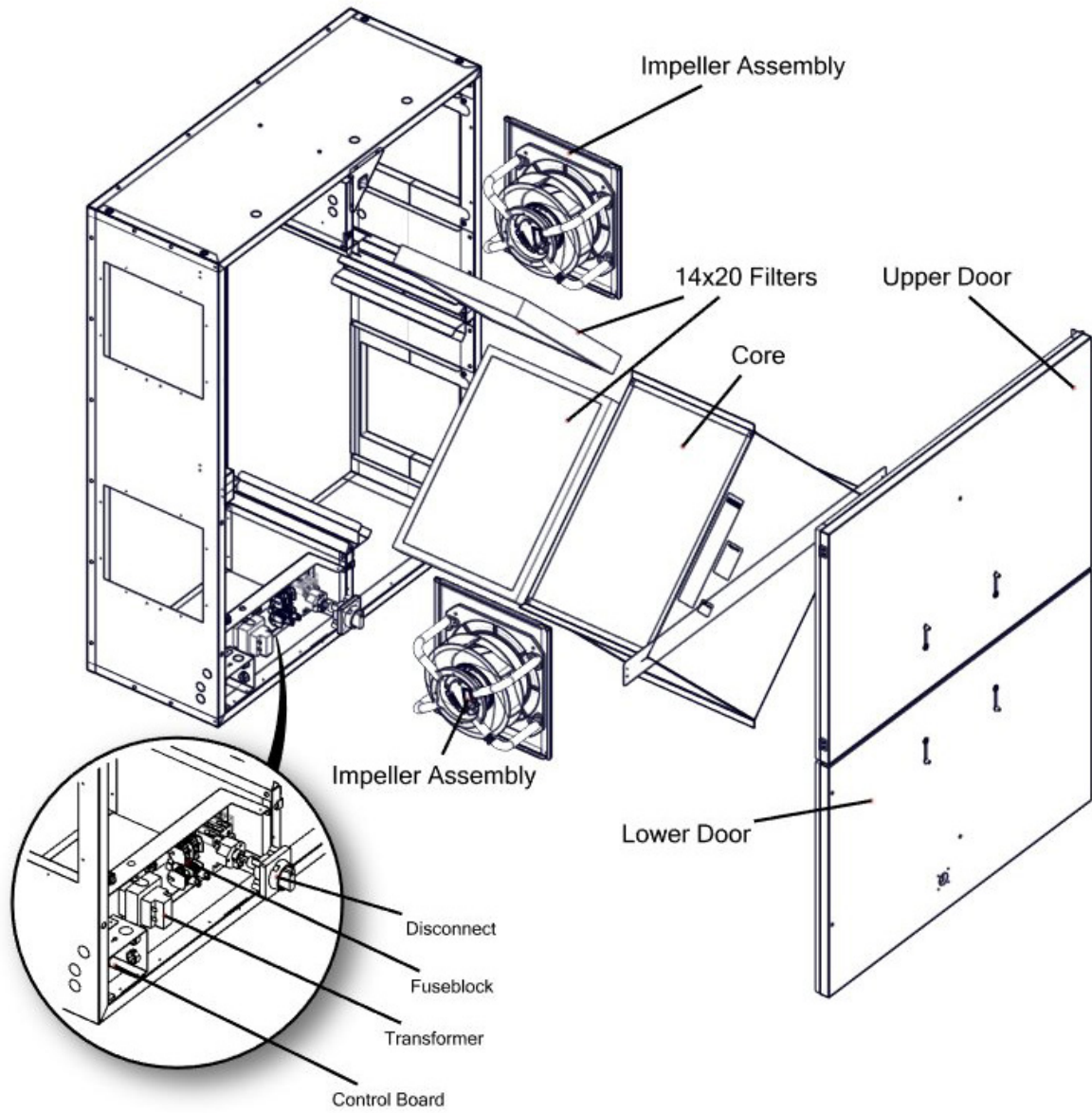


FIGURE 7.8.0 HE07IN SERVICE PARTS

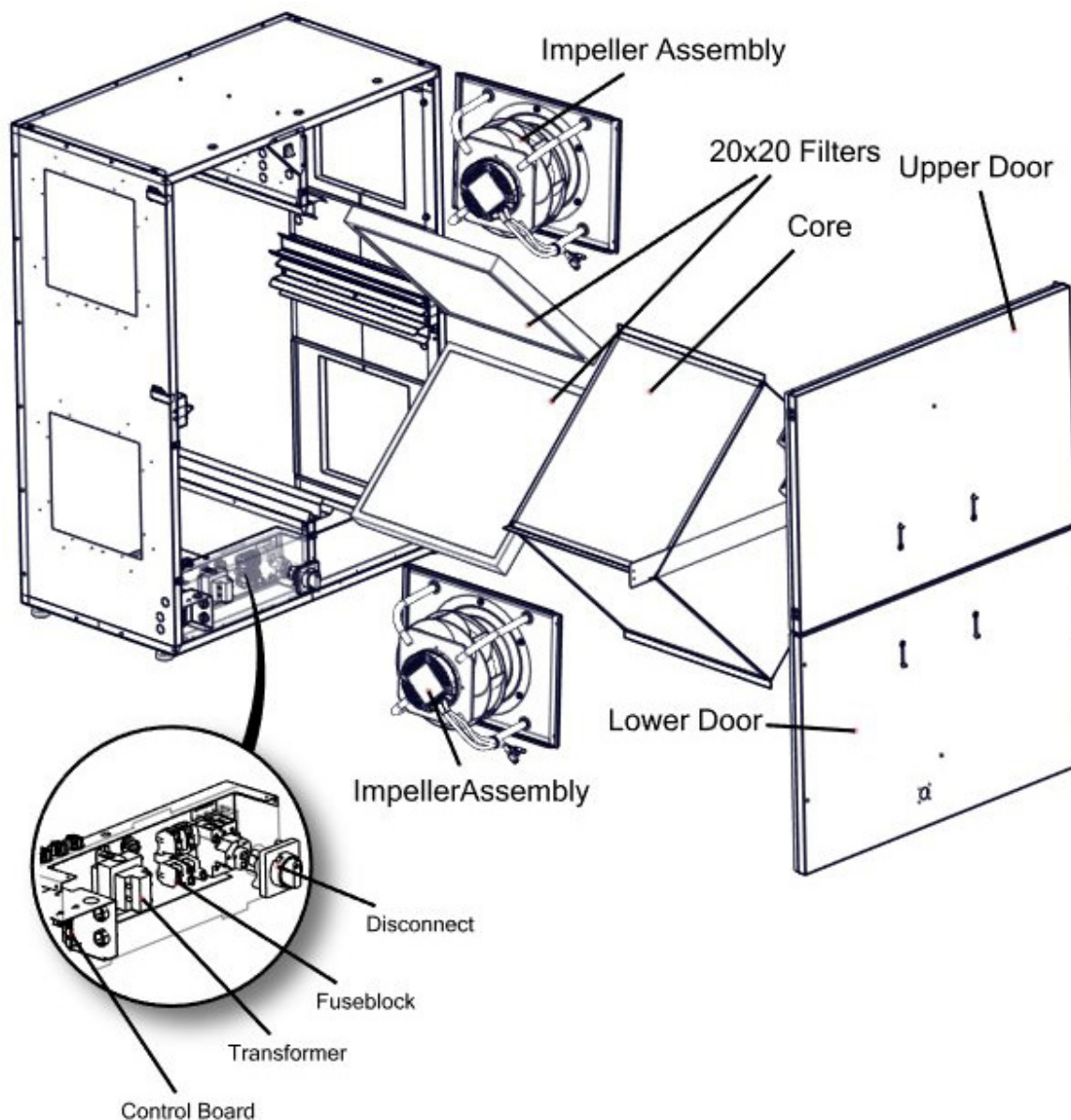


FIGURE 7.8.1 HE10IN SERVICE PARTS

8.0 TROUBLESHOOTING

If problems occur with a RenewAire ERV, the primary resources for troubleshooting are the unit as-built wiring schematics and the Sequence Of Operation (SOO) for each control scheme.

9.0 FACTORY ASSISTANCE

In the unlikely event that you need assistance from the factory for a specific issue, make sure that you have the information called for in the Unit Information page in the front of this manual. The person you speak with at the factory will need that information to properly identify the unit.

To contact RenewAire Customer Service:

Call 800-627-4499

Email: RenewAireSupport@RenewAire.com



About RenewAire

For over 40 years, **RenewAire has been a pioneer in enhancing indoor air quality (IAQ)** in commercial and residential buildings of every size. This is achieved while maximizing sustainability through our fifth-generation, static-plate, enthalpic-core **Energy Recovery Ventilators (ERVs) that optimize energy efficiency**, lower capital costs via load reduction and decrease operational expenses by minimizing equipment needs, resulting in significant energy savings. Our ERVs are competitively priced, simple to install, easy to use and maintain and have a quick payback. They also enjoy the industry's best warranty with the lowest claims due to long-term reliability derived from innovative design practices, expert workmanship and **Quick Response Manufacturing (QRM)**.

As the pioneer of static-plate core technology in North America, RenewAire is the largest ERV producer in the USA. We're **committed to sustainable manufacturing** and lessening our environmental footprint, and to that end our Waunakee, WI plant is 100% powered by wind turbines. The facility is also one of the few buildings worldwide to be LEED® Gold and Green Globes certified, as well as having achieved ENERGY STAR Building status. In 2010, RenewAire joined the Soler & Palau (S&P) Ventilation Group in order to provide direct access to the latest in energy-efficient air-moving technologies. For more information, visit: renewaire.com

201 Raemisch Road | Waunakee, WI | 53597 | 800.627.4499 | RenewAire.com