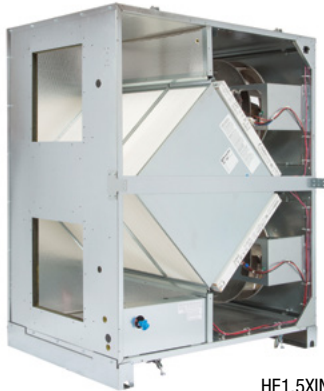


HE 1.5XIN

INDOOR UNIT

ENERGY RECOVERY VENTILATOR EC MOTOR



HE1.5XINH shown

Energy recovery core is AHRI Certified®



SPECIFICATIONS

Ventilation Type:
Static plate, heat and humidity transfer

Airflow Range: 375–1,470 CFM

AHRI 1060 Certified Core:
One L62-G5 and one L125-G5

Standard Features:
Non-fused disconnect
24VAC transformer/relay package
Cross-core differential pressure ports

Filters:
Total qty. 4, MERV 8: (2) 14" x 20" x 2" and (2) 16" x 20" x 2"

Unit Weight:
336–504 lbs., varies by option(s)

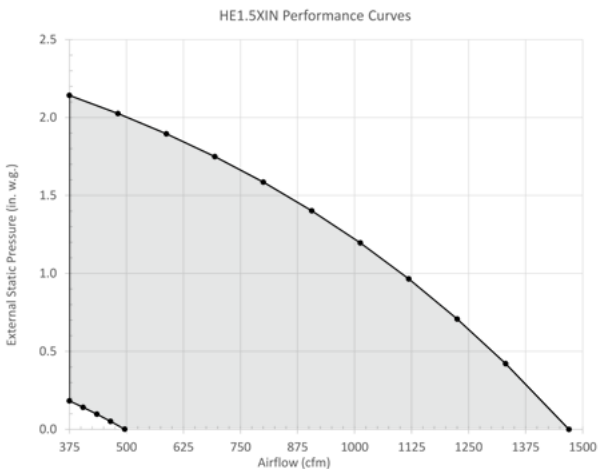
Max. Shipping Dimensions & Weight (on pallet):
H: 70" L x 47" W x 53" H
571 lbs.
V: 70" L x 47" W x 59" H

Motor(s):
Qty. 2, 480 W ea., Direct drive EC motorized impellers

Options:
Fused disconnect
Integrated programmable controls: enhanced, premium
Bypass economizer damper (see DIM drawing):
dry-bulb temperature controls (standard),
enthalpy controls (option)
Class 1 low leakage motorized isolation dampers:
FA, EA or both airstreams
Gravity backdraft dampers
Factory mounted filter alarms: both airstreams
Double wall construction
Exterior paint: white, custom colors

Accessories:
Filters: MERV 13, 2" (shipped loose)
Backdraft damper: OA or EA
Automatic balancing damper: 4", 5", 6"
Potentiometer speed control: remote installed
Digital time clock: wall mount (TC7D-W),
in exterior enclosure (TC7D-E)
Carbon dioxide sensor/control:
wall mount (CO2-W), duct mount (CO2-D)
IAQ sensor: wall mount (IAQ-W), duct mount (IAQ-D)
Motion occupancy sensor/control:
ceiling mount (MC-C), wall mount (MC-W)
Smoke detector: duct mount (SD-D)
BACnet fan control: wall mount (BACNETFC-W)
Indoor electric duct heater: EK series (1–175 kW)
Indirect gas-fired duct furnace: GH series (50–400 MBH);
installed downstream of any fans

EC MOTOR OPERATING RANGE AND FAN PERFORMANCE



Airflow (CFM)	External Static Pressure (Inches Water Column)	Unit Power Consumption (Watts)
375	2.14	710
481	2.03	765
588	1.90	814
694	1.75	859
800	1.59	899
906	1.40	933
1013	1.20	963
1119	0.97	987
1225	0.71	1006
1331	0.42	1019
1470	0.00	1029

Note: Watts is for the entire unit. Airflow performance include effect of clean, standard filter supplied with unit.

ELECTRICAL DATA

Watts	Volts	Hz	Phase	FLA per motor	Min. Cir. Amps	Max. Overcurrent Protection Device
480	120	60	Single	6.7	15.1	20
480	208–230	60	Single	3.4	7.7	15



AUGMENTED REALITY (AR)

Scan QR code to see life size version of HE1.5X, or view here: <https://ar.marketscale.com/renewaire/he15x>

HE1.5XINH ENERGY RECOVERY VENTILATOR EC MOTOR OPTION

ABBREVIATIONS

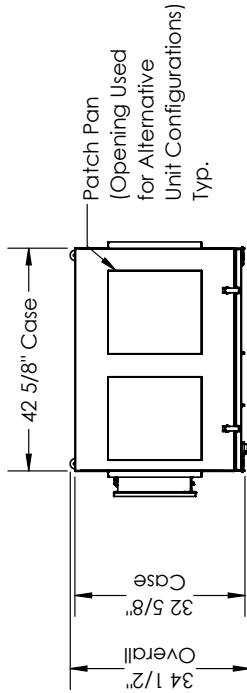
- EA: Exhaust Air to outside
- OA: Outside Air Intake
- RA: Room Air to be exhausted
- FA: Fresh Air to inside

INSTALLATION ORIENTATION

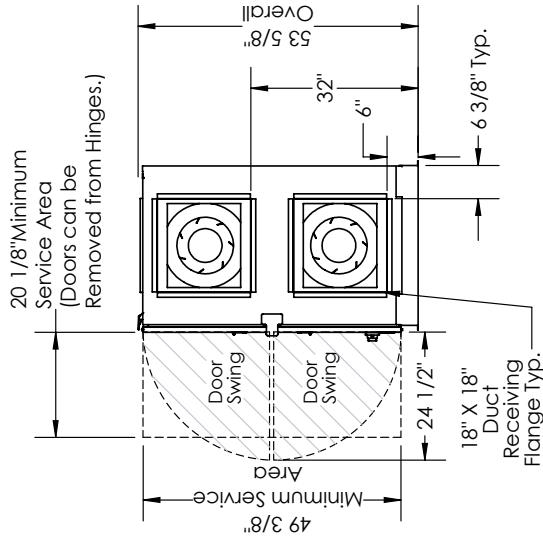
Unit may be installed in any orientation.

NOTE

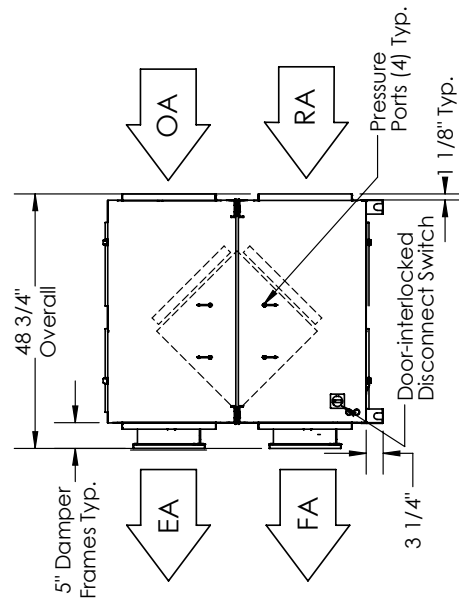
1. UNLESS OTHERWISE SPECIFIED, DIMENSIONS ARE ROUNDED TO THE NEAREST EIGHTH OF AN INCH.
2. SPECIFICATIONS MAY BE SUBJECT TO CHANGE WITHOUT NOTICE.
3. MIN. DUCT CLEARANCE FROM DAMPER BLADE WHEN FULLY OPENED TO BE 2". SMACNA RULES APPLY.



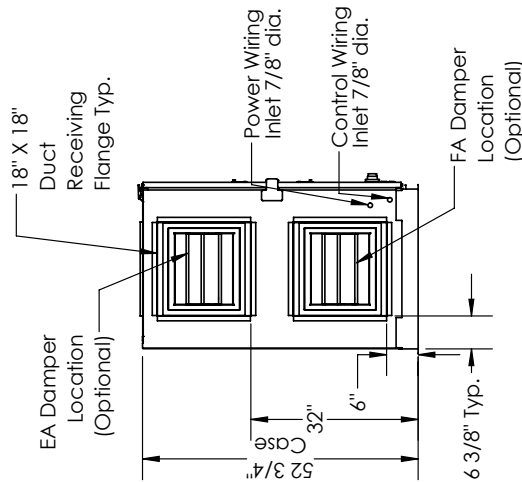
TOP VIEW



RIGHT VIEW



FRONT VIEW



LEFT VIEW

UNIT MOUNTING & APPLICATION

Can be mounted in any orientation. RA/EA airstream can be switched with OA/FA airstream unless certain options are selected. Duct configuration is field convertible.



AIRFLOW CONFIGURATION

Available as shown in dimension drawing.

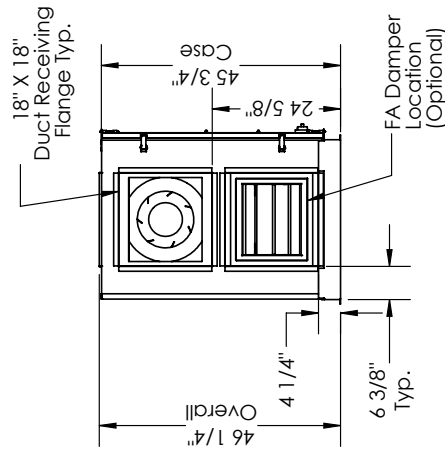
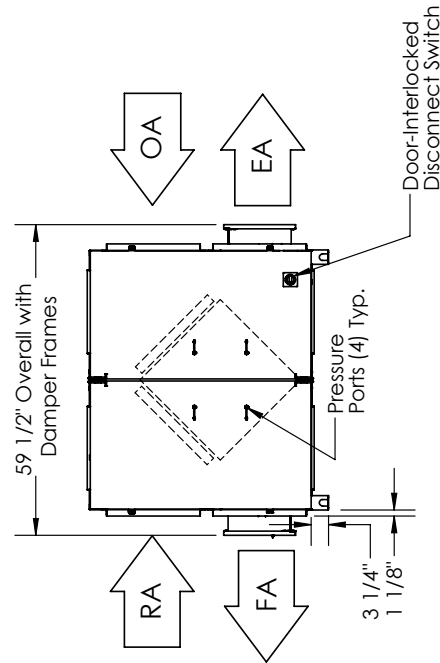
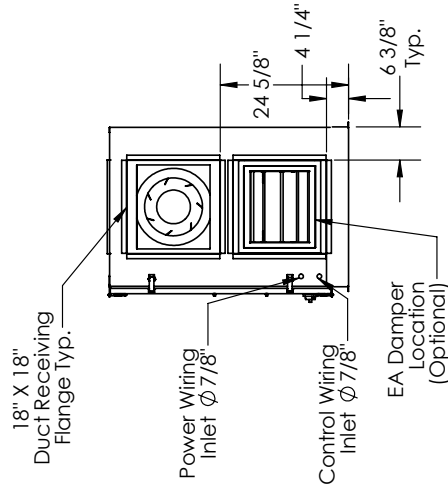
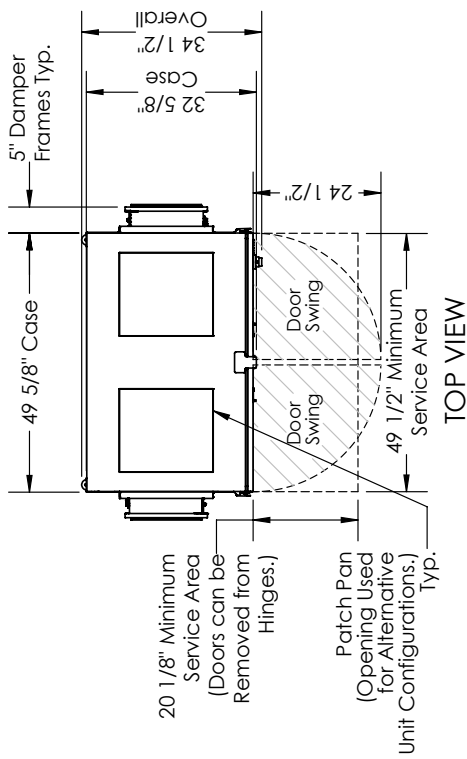


HE1.5XINV ENERGY RECOVERY VENTILATOR EC MOTOR OPTION

ABBREVIATIONS
 EA: Exhaust Air to outside
 OA: Outside Air Intake
 RA: Room Air to be exhausted
 FA: Fresh Air to inside

INSTALLATION ORIENTATION
 Unit may be installed in any orientation.

NOTE
 1. UNLESS OTHERWISE SPECIFIED, DIMENSIONS ARE ROUNDED TO THE NEAREST EIGHTH OF AN INCH.
 2. SPECIFICATIONS MAY BE SUBJECT TO CHANGE WITHOUT NOTICE.
 3. MIN. DUCT CLEARANCE FROM DAMPER BLADE WHEN FULLY OPENED TO BE 2". SMACNA RULES APPLY.



UNIT MOUNTING & APPLICATION
 Can be mounted in any orientation. RA/EA airstream can be switched with OA/FA airstream unless certain options are selected. Duct configuration is field convertible.



AIRFLOW CONFIGURATION
 Available as shown in dimension drawing.



HE1.5XINH ENERGY RECOVERY VENTILATOR EC MOTOR WITH BYPASS ECONOMIZER

ABBREVIATIONS

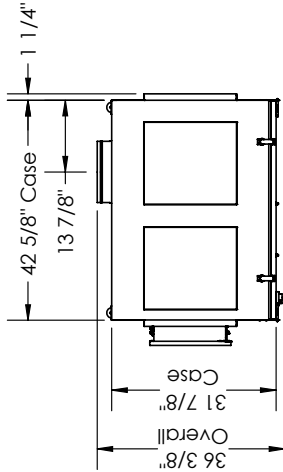
- EA: Exhaust Air to outside
- OA: Outside Air intake
- RA: Room Air to be exhausted
- FA: Fresh Air to inside
- BP: Bypass Air outlet

INSTALLATION ORIENTATION

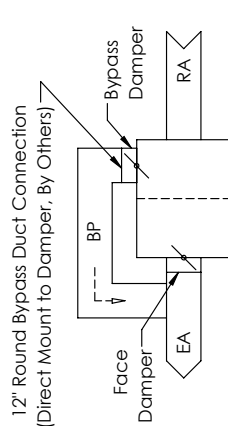
Unit may be installed in any orientation.

NOTE

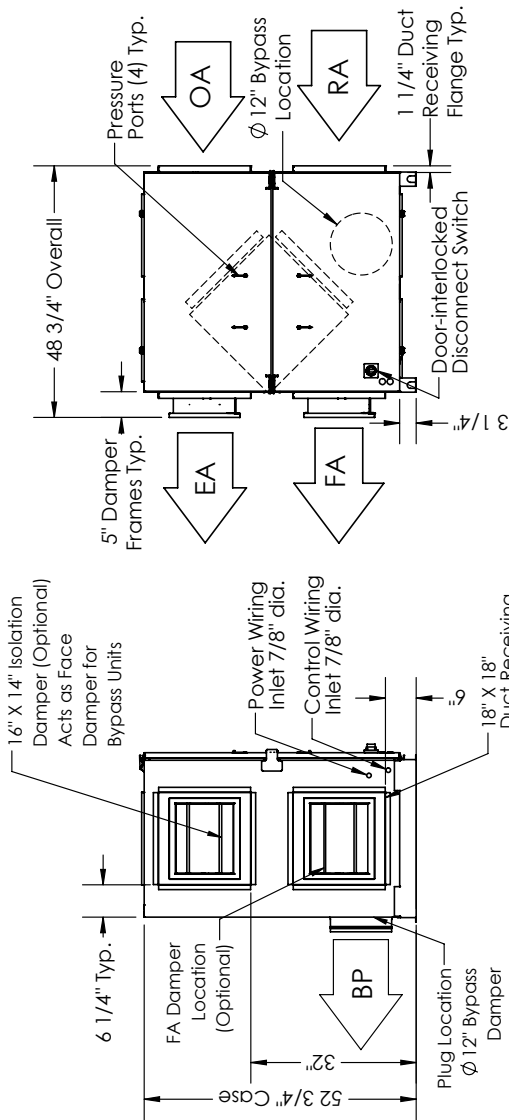
1. UNLESS OTHERWISE SPECIFIED, DIMENSIONS ARE ROUNDED TO THE NEAREST EIGHTH OF AN INCH.
2. SPECIFICATIONS MAY BE SUBJECT TO CHANGE WITHOUT NOTICE.
3. MIN. DUCT CLEARANCE FROM DAMPER BLADE WHEN FULLY OPENED TO BE 2". SMACNA RULES APPLY.
4. UNITS WITH BYPASS WILL REQUIRE ADDITIONAL SPACE FOR THE CONNECTION OF THE BYPASS DUCT (BY OTHERS).
5. FOR INSTALLATION DETAILS, REFER TO I&O MANUAL SUPPLEMENT FOR BYPASS.



TOP VIEW



BYPASS AIRFLOW SCHEMATIC TOP VIEW
(OA/FA Airstream Not Shown)



FRONT VIEW

LEFT VIEW

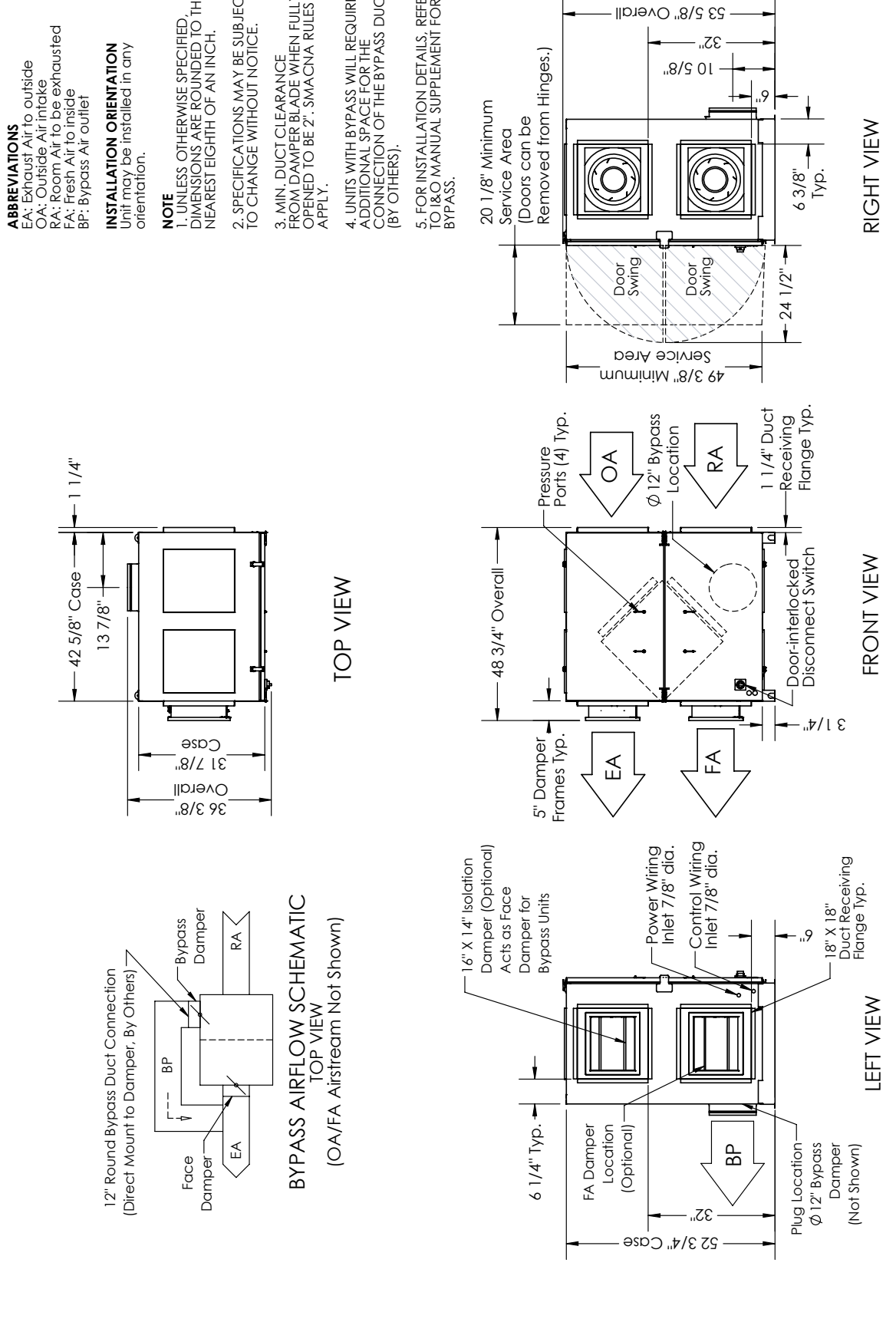
RIGHT VIEW



UNIT MOUNTING & APPLICATION
Can be mounted in any orientation. Airstreams cannot be switched.

AIRFLOW CONFIGURATION
Available as shown in dimension drawing.

HE1.5XIN_V ENERGY RECOVERY VENTILATOR EC MOTOR WITH BYPASS ECONOMIZER



UNIT MOUNTING & APPLICATION
 Can be mounted in any orientation. Airstreams cannot be switched.



AIRFLOW CONFIGURATION
 Available as shown in dimension drawing.



HE 1.5XRT

ENERGY RECOVERY VENTILATOR



ROOFTOP UNIT

SPECIFICATIONS



Energy recovery core is AHRI Certified®



Ventilation Type:
Static plate, heat and humidity transfer

Airflow Range: 375–1,650 CFM

AHRI 1060 Certified Core:
One L62-G5 and one L125-G5

Standard Features:
Non-fused disconnect
24VAC transformer/relay package
Cross-core differential pressure ports

Filters:
Total qty. 4, MERV 8: (2) 14" x 20" x 2" and (2) 16" x 20" x 2"

Unit Weight:
387–548 lbs., varies by option(s)

Max. Shipping Dimensions & Weight (on pallet):
70" L x 47" W x 83" H
615 lbs.

Motor(s):
Qty. 2, 1.0 HP ea., Direct drive standard motorized impellers

Options:
Qty. 2, variable speed/ECM: Direct drive motors (see HE1.5XRT EC Motor submittal):
480 W 120V/1Ph/60Hz,
480 W 208–230V/1Ph/60Hz
Independent blower control
Onboard variable frequency drives (VFDs): both airstreams
Fused disconnect
Integrated programmable controls: enhanced, premium
Class 1 low leakage motorized isolation dampers:
FA, EA or both airstreams
Gravity backdraft dampers
Factory mounted filter alarms: both airstreams
Double wall construction
Exterior paint: white, custom colors

Accessories:
Filters: MERV 13, 2" (shipped loose)
Backdraft damper: OA or EA
Automatic balancing damper: 4", 5", 6"
Roof curb: standard 14"
Curb wind clip
Engineered combo curb for Trane or Carrier RTUs
Digital time clock: wall mount (TC7D-W), in exterior enclosure (TC7D-E)
Carbon dioxide sensor/control:
wall mount (CO2-W), duct mount (CO2-D)
IAQ sensor: wall mount (IAQ-W), duct mount (IAQ-D)
Motion occupancy sensor/control:
ceiling mount (MC-C), wall mount (MC-W)
Smoke detector: duct mount (SD-D)
BACnet fan control: wall mount (BACNETFC-W)
Indoor electric duct heater: EK series (1–175 kW);
Indirect gas-fired duct furnace: GH series (50–400 MBH); installed downstream of any fans

AIRFLOW PERFORMANCE

Motor HP Phase	Blower RPM	External Static Pressure (Inches Water Column)													
		0.00		0.25		0.50		0.75		1.00		1.25		1.50	
		SCFM	Watts	SCFM	Watts	SCFM	Watts	SCFM	Watts	SCFM	Watts	SCFM	Watts	SCFM	Watts
1.0 Single Phase	1475	1535	1540	1390	1515	1255	1485	1120	1445	970	1395	815	1310	640	1195
1.0 Three Phase	1475	1630	1440	1485	1435	1335	1415	1170	1375	995	1325	810	1260	615	1180

Note: Watts is for the entire unit (2 motors). Airflow performance includes effect of clean, standard filter supplied with unit.

ELECTRICAL DATA

Standard Electrical Specifications							Optional Factory Installed VFD Electrical Specifications		
HP	Volts	Hz	Phase	FLA per motor	Min. Cir. Amps	Max. Overcurrent Protection Device	FLA per motor	Min. Cir. Amps	Max. Overcurrent Protection Device
1.0	120	60	Single	6.5	14.6	20			
1.0	208–230	60	Single	3.3–3.4	7.7	15			
1.0	277	60	Single	2.7	6.1	15			
1.0	208–230	60	Three	2.2–2.2	5.0	15	2.2–2.2	5.0	15
1.0	460	60	Three	1.13	2.5	15	1.13	2.5	15