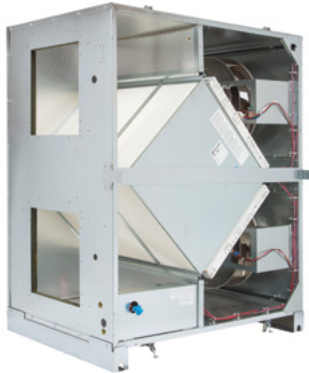


HE 1.5XIN

ENERGY RECOVERY VENTILATOR



INDOOR UNIT



HE1.5XINH shown

Energy recovery core is AHRI Certified®



SPECIFICATIONS

Ventilation Type:

Static plate, heat and humidity transfer

Airflow Range: 375–1,650 CFM

AHRI 1060 Certified Core:

One L62-G5 and one L125-G5

Standard Features:

Non-fused disconnect
24VAC transformer/relay package
Cross-core differential pressure ports

Filters:

Total Qty. 4, MERV 8: (2) 14" x 20" x 2" and
(2) 16" x 20" x 2"

Unit Weight:

337–504 lbs., varies by option(s)

Max. Shipping Dimensions & Weight (on pallet):

H: 70" L x 47" W x 53" H
571 lbs.
V: 70" L x 47" W x 59" H
71 lbs.

Motor(s):

Qty. 2, 1.0 HP ea., Direct drive standard motorized impellers

Options:

Qty. 2, variable speed/ECM: Direct drive motors (see HE1.5XINH EC Motor submittal):
480 W 120 V/1 Ph/60 Hz,
480 W 208–230 V/1 Ph/60 Hz

Independent blower control

Fused disconnect

Integrated programmable controls: enhanced, premium

Bypass economizer damper (see DIM drawing):
dry-bulb temperature controls (standard),
enthalpy controls (option)

Class 1 low leakage motorized isolation dampers:

FA, EA or both airstreams

Gravity backdraft dampers

Factory mounted filter alarms: both airstreams

Double wall construction

Exterior paint: white, custom colors

Accessories:

Filters: MERV 13, 2" (shipped loose)

Backdraft damper: OA or EA

Automatic balancing damper: 4", 5", 6"

Digital time clock: wall mount (TC7D-W),

in exterior enclosure (TC7D-E)

Carbon dioxide sensor/control:

wall mount (CO2-W), duct mount (CO2-D)

IAQ sensor: wall mount (IAQ-W), duct mount (IAQ-D)

Motion occupancy sensor/control:

ceiling mount (MC-C), wall mount (MC-W)

Smoke detector: duct mount (SD-D)

BACnet fan control: wall mount (BACNETFC-W)

Indoor electric duct heater: EK series (1–175 kW)

Indirect gas-fired duct furnace: GH series (50–400 MBH);
installed downstream of any fans

AIRFLOW PERFORMANCE

Blower RPM	External Static Pressure (Inches Water Column)													
	0.00		0.25		0.50		0.75		1.00		1.25		1.50	
	SCFM	Watts	SCFM	Watts	SCFM	Watts	SCFM	Watts	SCFM	Watts	SCFM	Watts	SCFM	Watts
1475	1575	1545	1470	1525	1350	1500	1225	1475	1090	1435	950	1380	795	1300
1475			1570	1400	1435	1380	1280	1340	1115	1280	940	1210	760	1135

Operation in this zone outside of core airflow limits.

Note: Watts is for the entire unit (2 motors). Airflow performance includes effect of clean, standard filter supplied with unit.

ELECTRICAL DATA

HP	Volts	Hz	Phase	FLA per motor	Min. Cir. Amps	Max. Overcurrent Protection Device
1.0	120	60	Single	6.5	14.6	20
1.0	208–230	60	Single	3.3–3.4	7.7	15
1.0	277	60	Single	2.7	6.1	15
1.0	208–230	60	Three	2.2–2.2	5.0	15
1.0	460	60	Three	1.13	2.5	15



AUGMENTED REALITY (AR)

Scan QR code to see life size version of HE1.5X, or view here: <https://ar.marketscale.com/renewaire/he>

HE1.5XINH ENERGY RECOVERY VENTILATOR

ABBREVIATIONS

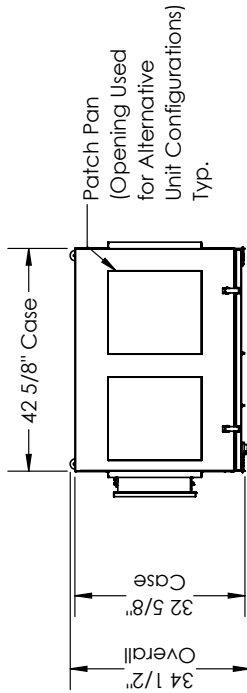
- EA: Exhaust Air to outside
- OA: Outside Air Intake
- RA: Room Air to be exhausted
- FA: Fresh Air to inside

INSTALLATION ORIENTATION

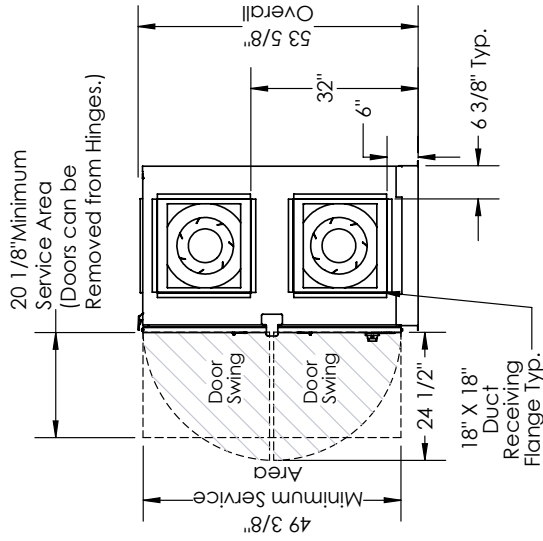
Unit may be installed in any orientation.

NOTE

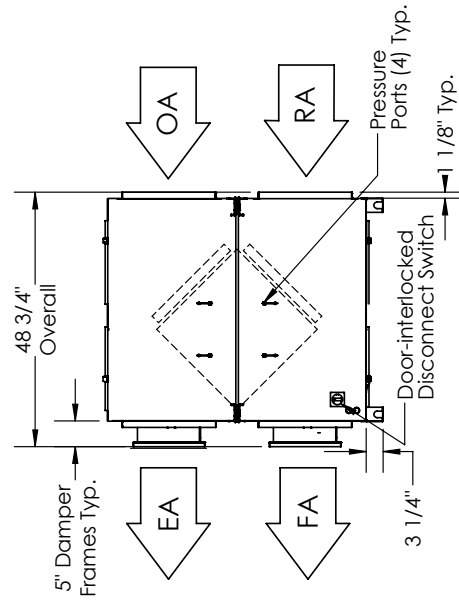
1. UNLESS OTHERWISE SPECIFIED, DIMENSIONS ARE ROUNDED TO THE NEAREST EIGHTH OF AN INCH.
2. SPECIFICATIONS MAY BE SUBJECT TO CHANGE WITHOUT NOTICE.
3. MIN. DUCT CLEARANCE FROM DAMPER BLADE WHEN FULLY OPENED TO BE 2". SMACNA RULES APPLY.



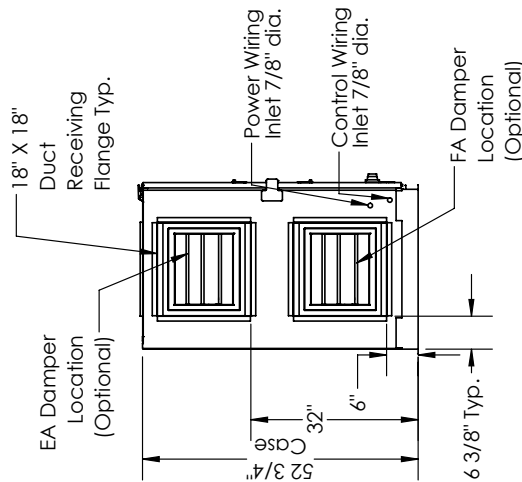
TOP VIEW



RIGHT VIEW



FRONT VIEW



LEFT VIEW

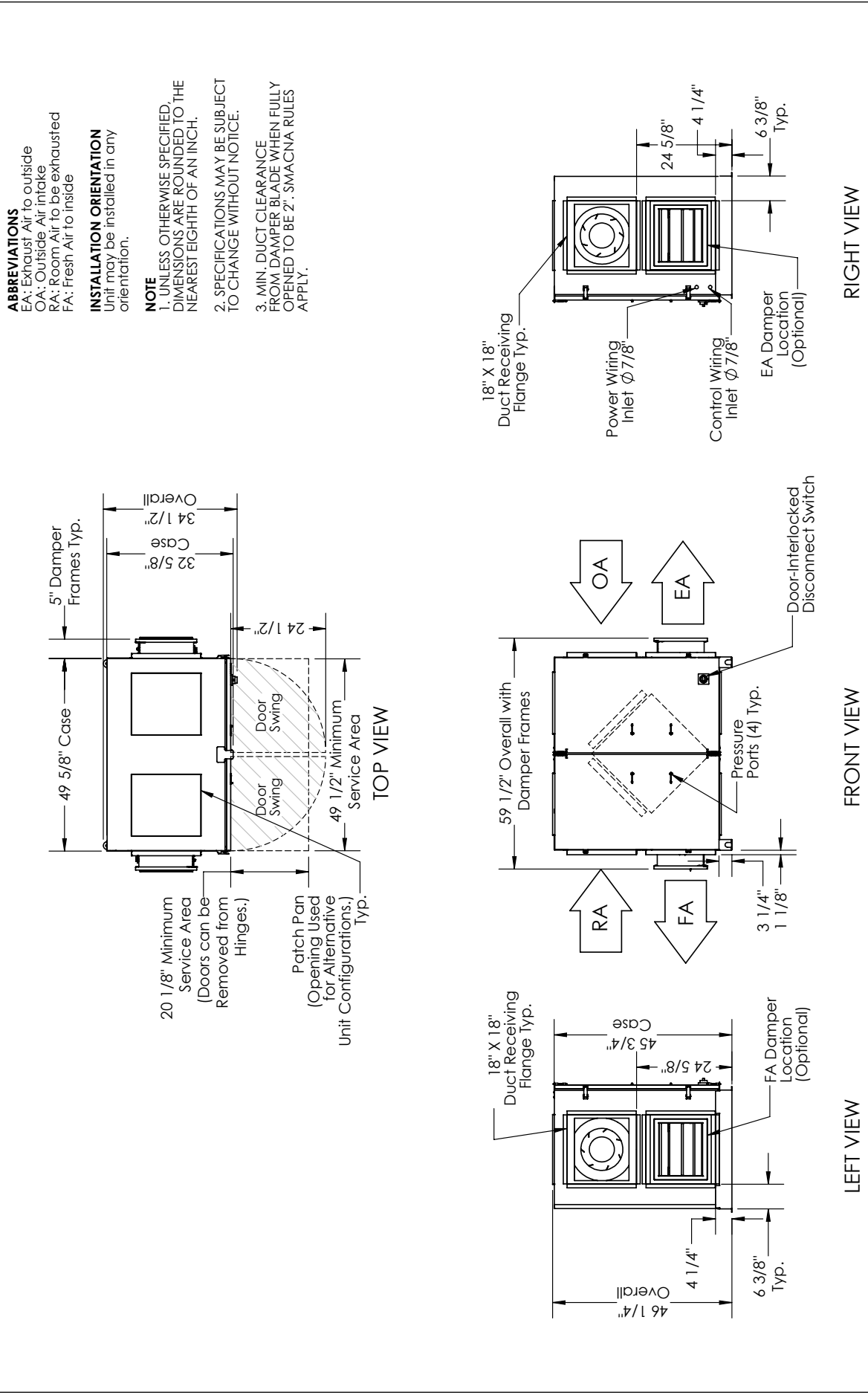
UNIT MOUNTING & APPLICATION
 Can be mounted in any orientation. RA/EA airstream can be switched with OA/FA airstream unless certain options are selected. Duct configuration is field convertible.



AIRFLOW CONFIGURATION
 Available as shown in dimension drawing.



HE1.5XINV ENERGY RECOVERY VENTILATOR



UNIT MOUNTING & APPLICATION



Can be mounted in any orientation. RA/EA airstream can be switched with OA/FA airstream unless certain options are selected. Duct configuration is field convertible.

AIRFLOW CONFIGURATION

Available as shown in dimension drawing.



HE1.5XINH ENERGY RECOVERY VENTILATOR WITH BYPASS ECONOMIZER

ABBREVIATIONS

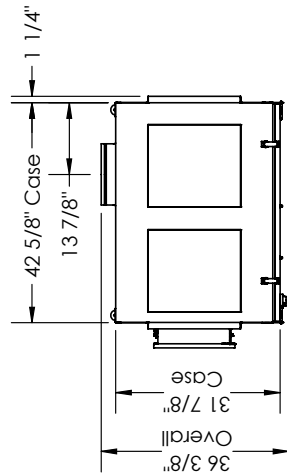
- EA: Exhaust Air to outside
- OA: Outside Air Intake
- RA: Room Air to be exhausted
- FA: Fresh Air to inside
- BP: Bypass Air outlet

INSTALLATION ORIENTATION

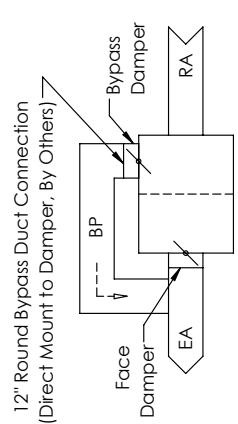
Unit may be installed in any orientation.

NOTE

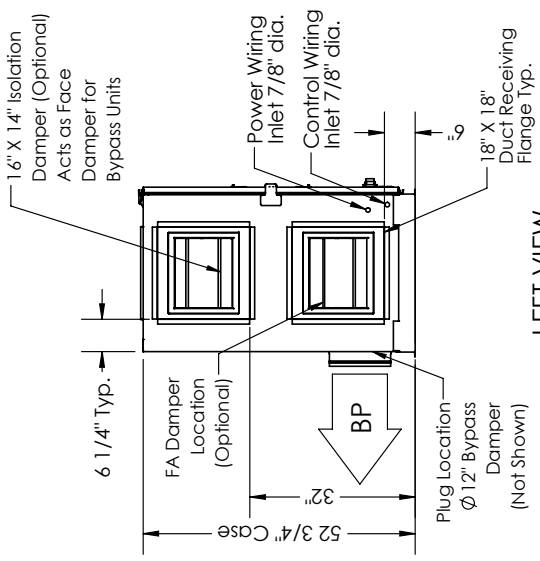
1. UNLESS OTHERWISE SPECIFIED, DIMENSIONS ARE ROUNDED TO THE NEAREST EIGHTH OF AN INCH.
2. SPECIFICATIONS MAY BE SUBJECT TO CHANGE WITHOUT NOTICE.
3. MIN. DUCT CLEARANCE FROM DAMPER BLADE WHEN FULLY OPENED TO BE 2". SMACNA RULES APPLY.
4. UNITS WITH BYPASS WILL REQUIRE ADDITIONAL SPACE FOR THE CONNECTION OF THE BYPASS DUCT (BY OTHERS).
5. FOR INSTALLATION DETAILS, REFER TO I&O MANUAL SUPPLEMENT FOR BYPASS.



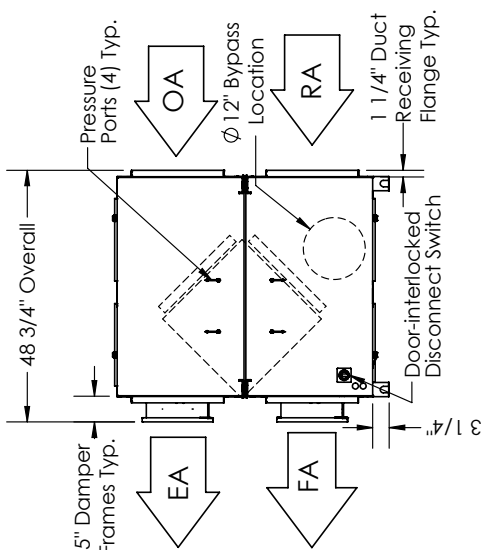
TOP VIEW



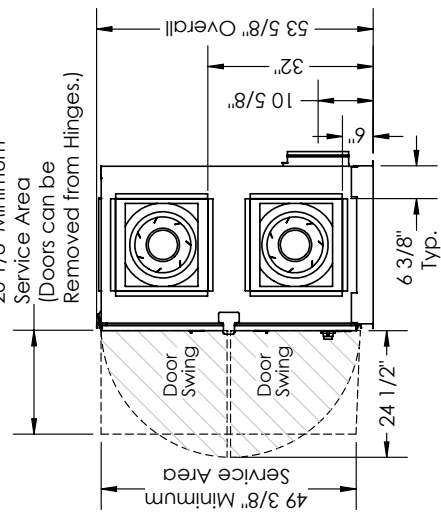
BYPASS AIRFLOW SCHEMATIC TOP VIEW
(OA/FA Airstream Not Shown)



LEFT VIEW



FRONT VIEW



RIGHT VIEW

AIRFLOW CONFIGURATION

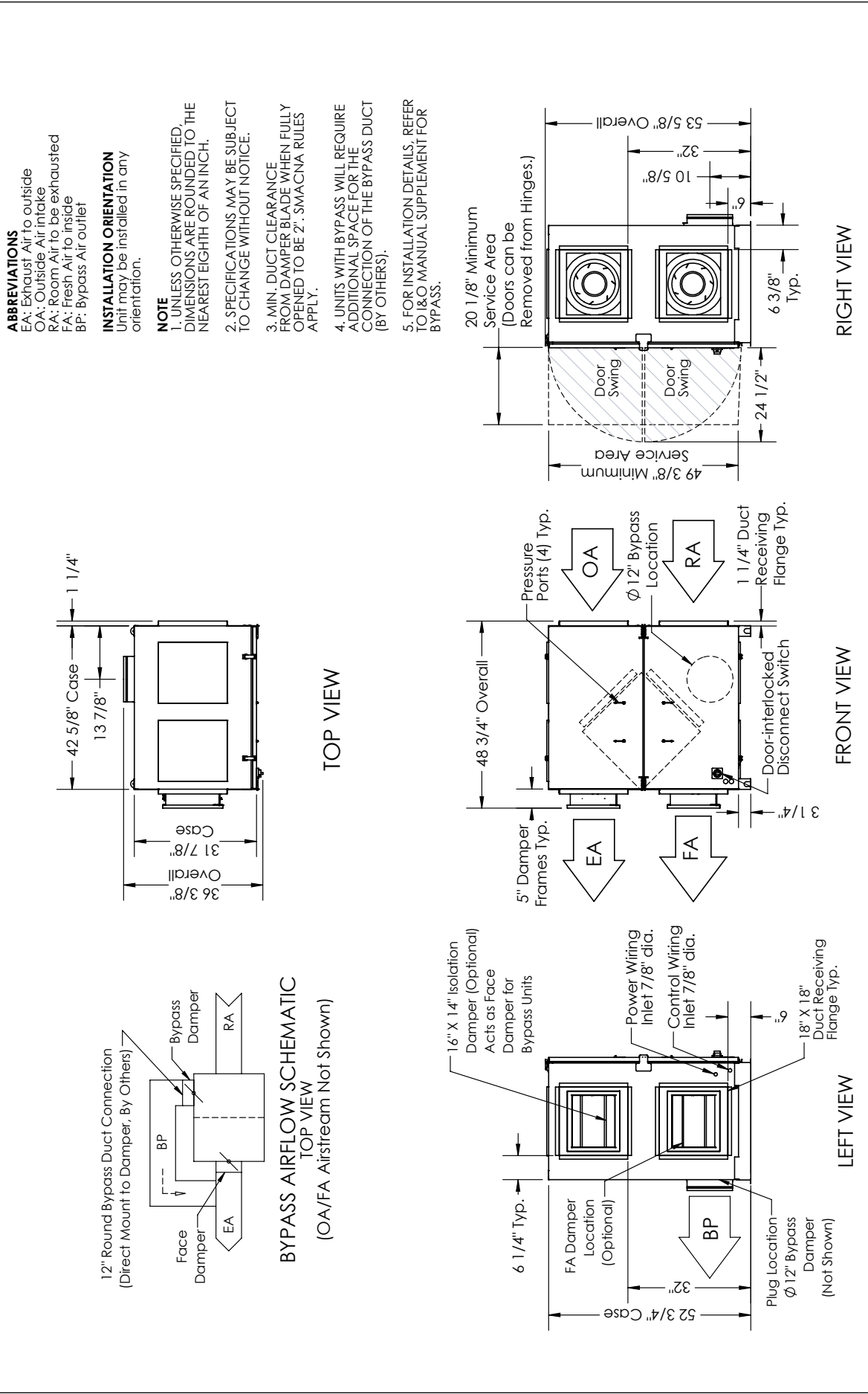
Available as shown in dimension drawing.



UNIT MOUNTING & APPLICATION

Can be mounted in any orientation. Airstreams cannot be switched.

HE1.5XIN_V ENERGY RECOVERY VENTILATOR WITH BYPASS ECONOMIZER



UNIT MOUNTING & APPLICATION
 Can be mounted in any orientation. Airstreams cannot be switched.



AIRFLOW CONFIGURATION
 Available as shown in dimension drawing.

