

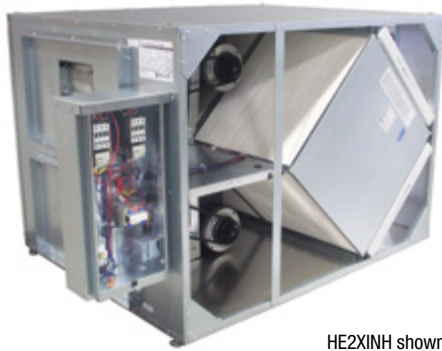


ENERGY RECOVERY VENTILATOR



INDOOR UNIT

SPECIFICATIONS



HE2XINH shown

Energy recovery core is AHRI Certified®



**Ventilation Type:**  
Static plate, heat and humidity transfer

**Airflow Range:** 500–2,200 CFM

**AHRI 1060 Certified Core:** Two L125-G5

**Standard Features:**  
TEFC premium efficiency motors  
Motor starters  
Non-fused disconnect  
24VAC transformer/relay package  
Cross-core differential pressure ports

**Filters:**  
Total qty. 4, MERV 8; 20" x 20" x 2"

**Unit Weight:**  
H: 406–619 lbs., varies by option(s)  
V: 363–538 lbs., varies by options(s)

**Max. Shipping Dimensions & Weight (on pallet):**  
H: 70" L x 47" W x 40" H  
714 lbs.  
V: 70" L x 47" W x 40" H  
678 lbs.

**Motor(s):**  
Qty. 2, Belt drive blower/standard motor (IE3) packages with adjustable sheaves

**Options:**  
Ultra premium efficiency (IE5+) motors with variable frequency drive (VFDs): both airstreams  
Onboard VFDs: both airstreams  
Shaft grounding ring on motors with VFDs  
Fused disconnect  
Integrated programmable controls: enhanced, premium  
Bypass economizer damper (see DIM drawing):  
dry-bulb temperature controls (standard),  
enthalpy controls (option)  
Class 1 low leakage motorized isolation dampers:  
OA, RA or both airstreams  
Factory mounted filter alarms: both airstreams  
Double wall construction  
Exterior paint: white, custom colors

**Accessories:**  
Filters: MERV 13, 2" (shipped loose)  
Automatic balancing damper: 4", 5", 6"  
Digital time clock: wall mount (TC7D-W),  
in exterior enclosure (TC7D-E)  
Carbon dioxide sensor/control:  
wall mount (CO2-W), duct mount (CO2-D)  
IAQ sensor: wall mount (IAQ-W), duct mount (IAQ-D)  
Motion occupancy sensor/control:  
ceiling mount (MC-C), wall mount (MC-W)  
Smoke detector: duct mount (SD-D)  
BACnet fan control: wall mount (BACNETFC-W)  
Indoor electric duct heater: EK series (1–175 kW)  
Indirect gas-fired duct furnace: GH series (50–400 MBH);  
installed downstream of any fans

AIRFLOW PERFORMANCE

Blower RPM	External Static Pressure (Inches Water Column)																
	0.25		0.50		0.75		1.00		1.25		1.50		1.75		2.00		
	SCFM	BHP	SCFM	BHP	SCFM	BHP	SCFM	BHP	SCFM	BHP	SCFM	BHP	SCFM	BHP	SCFM	BHP	
800	573	0.3															
900	778	0.4															
1000	983	0.5	687	0.4													
1100	1181	0.6	927	0.5	612	0.4											
1200	1370	0.8	1151	0.7	889	0.6	561	0.5									
1300	1552	1.0	1363	0.9	1140	0.7	870	0.6	541	0.5							
1400	1732	1.2	1567	1.1	1375	1.0	1148	0.8	874	0.7	550	0.6					
1500	1912	1.5	1766	1.4	1599	1.2	1405	1.1	1175	0.9	902	0.8	586	0.6			
1600	2093	1.8	1961	1.7	1813	1.6	1645	1.4	1451	1.2	1222	1.1	952	0.9	646	0.7	
1700					2018	1.9	1870	1.8	1703	1.6	1511	1.4	1286	1.2	1024	1.0	

Operation in this zone will likely exceed FLA limits.      Operation in this zone outside of core airflow limits.

Note: Brake horsepower (BHP) is for one blower motor package only. Airflow performance includes effect of clean, standard filter supplied with unit.



ENERGY RECOVERY VENTILATOR



ELECTRICAL DATA

Electrical Specifications				Motor Starters (Standard)			Optional IE3 Efficiency Motor with VFDs			Optional IE5+ Efficiency Motor with VFDs		
HP	Volts	Hz	Phase	FLA per motor	Min. Cir. Amps	Max. Overcurrent Protection Device	FLA per motor	Min. Cir. Amps	Max. Overcurrent Protection Device	FLA per motor	Min. Cir. Amps	Max. Overcurrent Protection Device
1.5	120	60	Single	15.2	34.2	45						
1.5	208-230	60	Single	8.2-7.6	18.5	25	4.5-4.4	17.5	25			
	208-230	60	Three	4.5-4.4	10.1	15	4.5-4.4	10.1	15			
	460	60	Three	2.2	5.0	15	2.2	5.0	15			
	575	60	Three	1.8	4.1	15	1.8	4.1	15			
2.0	120	60	Single	20.0	45.0	60						
2.0	208-230	60	Single	10.8-10.0	24.3	35	6.6-5.8	25.7	35	4.5-4.5	17.5	25
	208-230	60	Three	6.6-5.8	14.9	20	6.6-5.8	14.9	20	4.5-4.5	10.1	15
	460	60	Three	2.9	6.5	15	2.9	6.5	15	2.3	5.2	15
	575	60	Three	2.3	5.2	15	2.3	5.2	15			

**HE2XINH ENERGY RECOVERY VENTILATOR**

**ABBREVIATIONS**

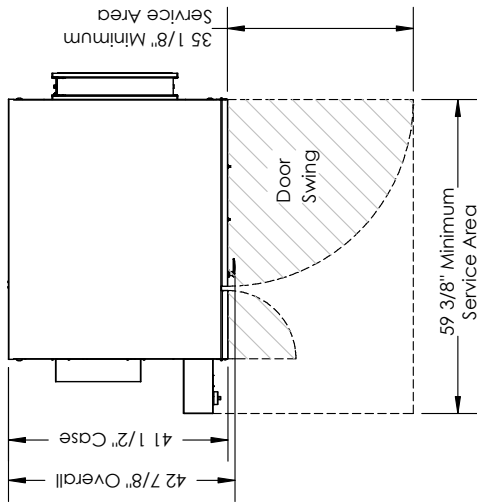
- EA: Exhaust Air to outside
- OA: Outside Air intake
- RA: Room Air to be exhausted
- FA: Fresh Air to inside

**INSTALLATION ORIENTATION**

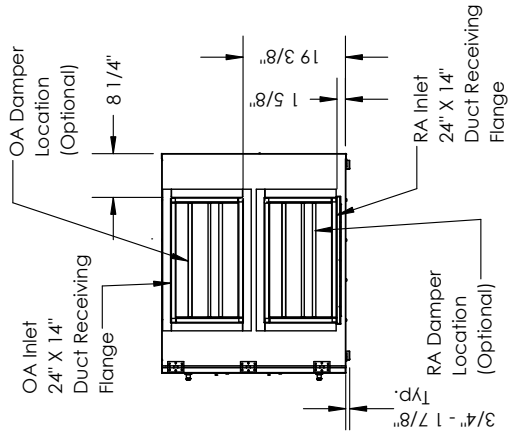
Unit must be installed in orientation shown.

**NOTE**

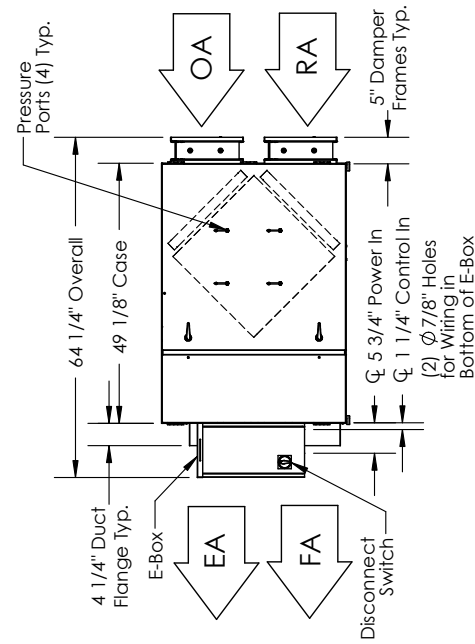
1. UNLESS OTHERWISE SPECIFIED, DIMENSIONS ARE ROUNDED TO THE NEAREST EIGHTH OF AN INCH.
2. SPECIFICATIONS MAY BE SUBJECT TO CHANGE WITHOUT NOTICE.
3. MIN. DUCT CLEARANCE FROM DAMPER BLADES WHEN FULLY OPENED TO BE 2". SMACNA RULES APPLY.



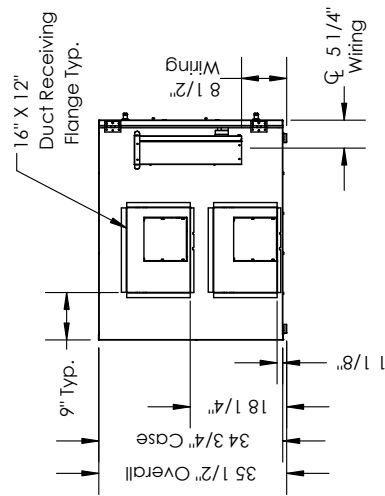
**TOP VIEW**



**RIGHT VIEW**



**FRONT VIEW**



**LEFT VIEW**

**UNIT MOUNTING & APPLICATION**

Must be mounted as shown. RA/EA airstream can be switched with OA/FA airstream unless certain options are selected.



**AIRFLOW ORIENTATION**

Available as shown in dimension drawing.

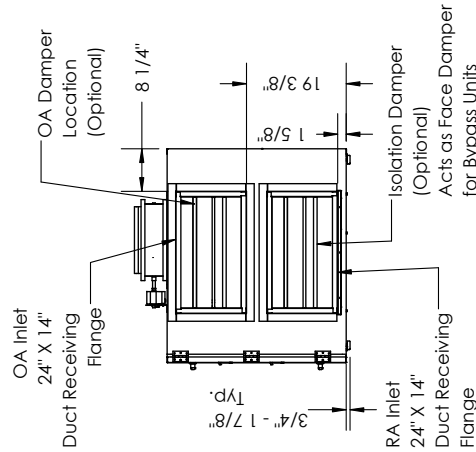
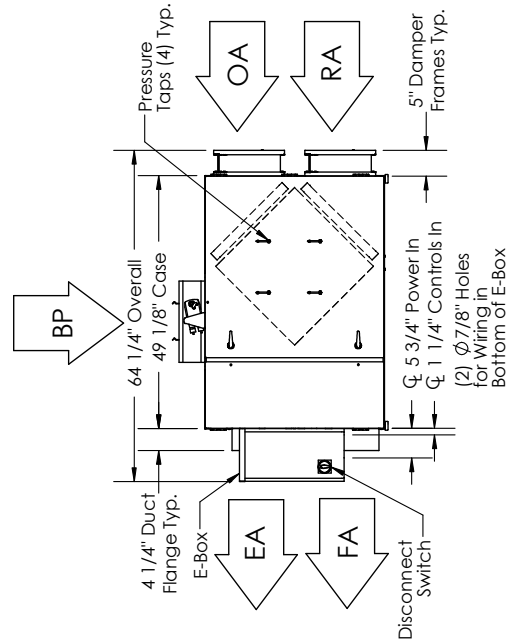
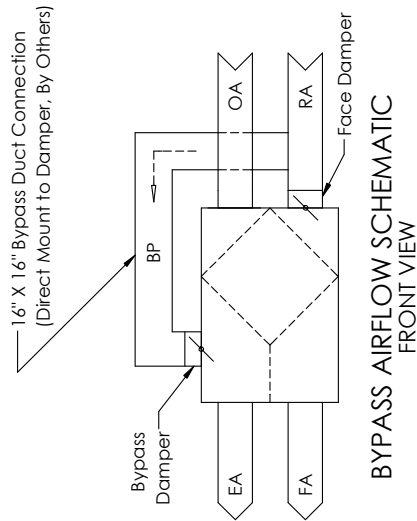
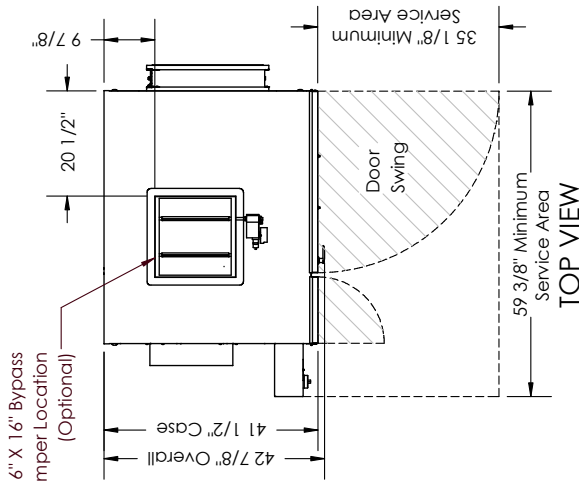


**HE2XINH ENERGY RECOVERY VENTILATOR WITH BYPASS ECONOMIZER**

**ABBREVIATIONS**  
 EA: Exhaust Air to outside  
 OA: Outside Air Intake  
 RA: Room Air to be exhausted  
 FA: Fresh Air to inside  
 BP: Bypass Air Intake

**INSTALLATION ORIENTATION**  
 Unit must be installed in orientation shown.

**NOTE**  
 1. UNLESS OTHERWISE SPECIFIED, DIMENSIONS ARE ROUNDED TO THE NEAREST EIGHTH OF AN INCH.  
 2. SPECIFICATIONS MAY BE SUBJECT TO CHANGE WITHOUT NOTICE.  
 3. MIN. DUCT CLEARANCE FROM DAMPER BLADES WHEN FULLY OPENED TO BE 2". SMACNA RULES APPLY.  
 4. UNITS WITH BYPASS WILL REQUIRE ADDITIONAL SPACE FOR THE CONNECTION OF THE BYPASS DUCT (BY OTHERS).  
 5. FOR INSTALLATION DETAILS, REFER TO I&O MANUAL SUPPLEMENT FOR BYPASS.



RIGHT VIEW

FRONT VIEW

LEFT VIEW

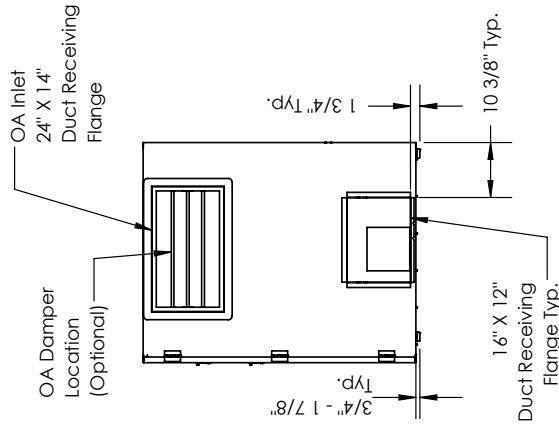
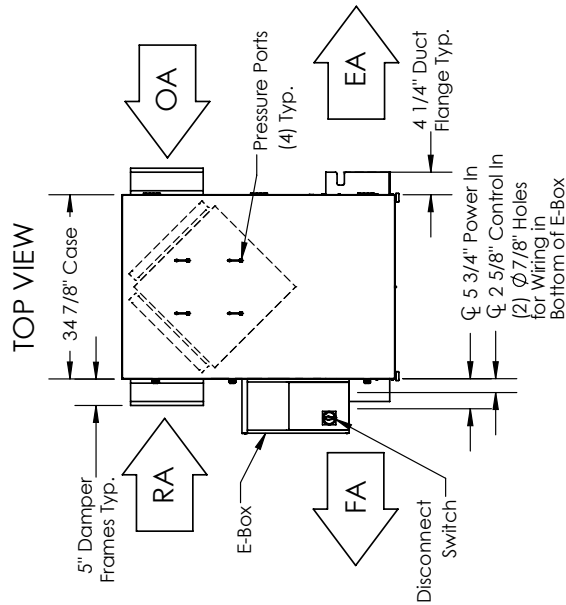
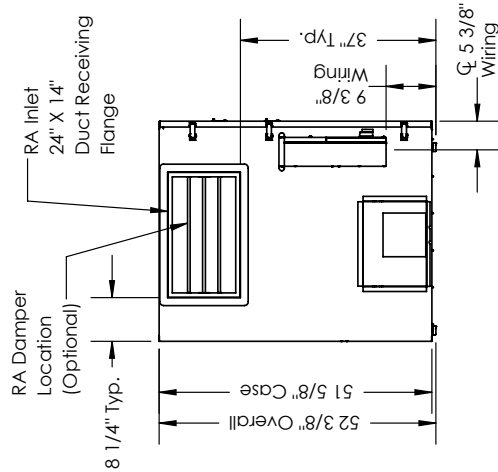
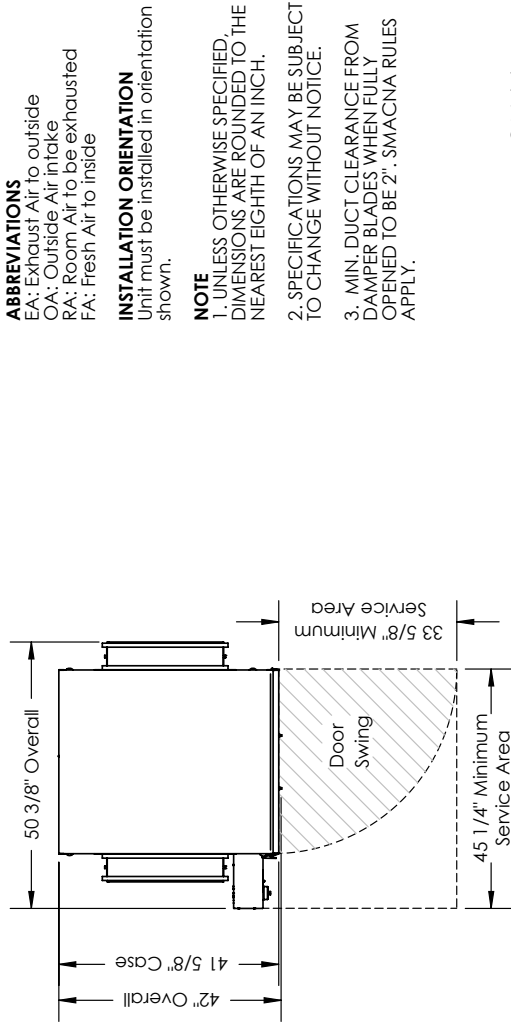
**UNIT MOUNTING & APPLICATION**  
 Must be mounted as shown. Airstreams cannot be switched.



**AIRFLOW ORIENTATION**  
 Available as shown in dimension drawing.



**HE2XIN<sup>V</sup>** ENERGY RECOVERY VENTILATOR



**ABBREVIATIONS**

- EA: Exhaust Air to outside
- OA: Outside Air intake
- RA: Room Air to be exhausted
- FA: Fresh Air to inside

**INSTALLATION ORIENTATION**

Unit must be installed in orientation shown.

**NOTE**

1. UNLESS OTHERWISE SPECIFIED, DIMENSIONS ARE ROUNDED TO THE NEAREST EIGHTH OF AN INCH.
2. SPECIFICATIONS MAY BE SUBJECT TO CHANGE WITHOUT NOTICE.
3. MIN. DUCT CLEARANCE FROM DAMPER BLADES WHEN FULLY OPENED TO BE 2". SMACNA RULES APPLY.

RIGHT VIEW

FRONT VIEW

LEFT VIEW

**AIRFLOW ORIENTATION**

Available as shown in dimension drawing.

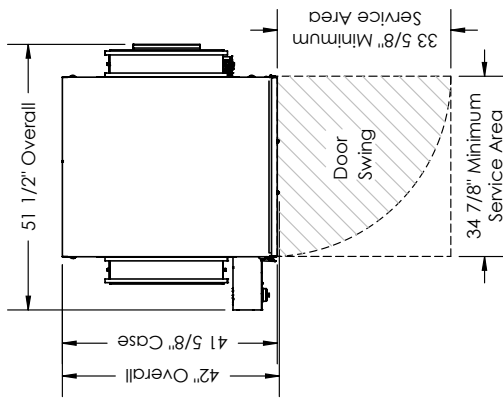
**UNIT MOUNTING & APPLICATION**

Must be mounted as shown. RA/EA airstream can be switched with OA/FA airstream unless certain options are selected.

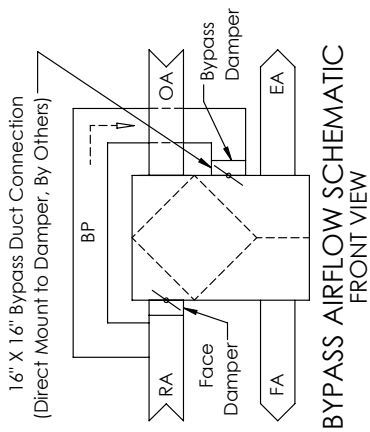


**HE2XIN<sub>V</sub>** ENERGY RECOVERY VENTILATOR WITH BYPASS ECONOMIZER

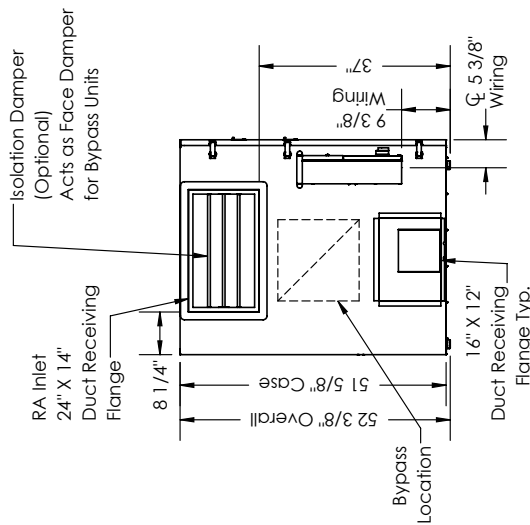
- ABBREVIATIONS**  
 EA: Exhaust Air to outside  
 OA: Outside Air intake  
 RA: Room Air to be exhausted  
 FA: Fresh Air to inside  
 BP: Bypass Air Intake
- INSTALLATION ORIENTATION**  
 Unit must be installed in orientation shown.
- NOTE**  
 1. UNLESS OTHERWISE SPECIFIED, DIMENSIONS ARE ROUNDED TO THE NEAREST EIGHTH OF AN INCH.  
 2. SPECIFICATIONS MAY BE SUBJECT TO CHANGE WITHOUT NOTICE.  
 3. MIN. DUCT CLEARANCE FROM DAMPER BLADE WHEN FULLY OPENED TO BE 2". SMACNA RULES APPLY.  
 4. UNITS WITH BYPASS WILL REQUIRE ADDITIONAL SPACE FOR THE CONNECTION OF THE BYPASS DUCT (BY OTHERS).  
 5. FOR INSTALLATION DETAILS, REFER TO I&O MANUAL SUPPLEMENT FOR BYPASS.



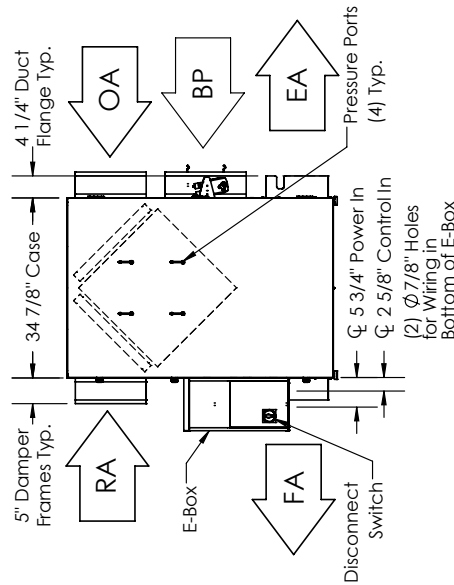
TOP VIEW



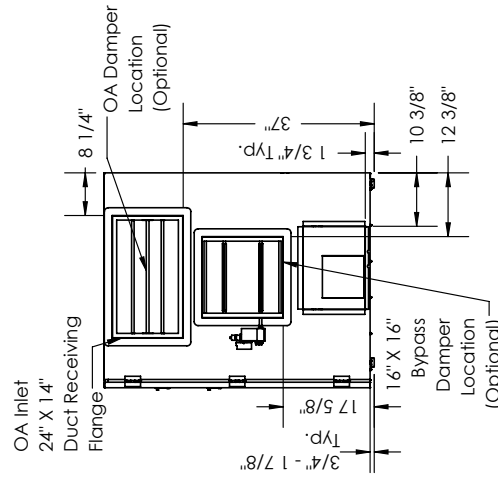
BYPASS AIRFLOW SCHEMATIC FRONT VIEW



LEFT VIEW



FRONT VIEW



RIGHT VIEW

**AIRFLOW ORIENTATION**  
 Available as shown in dimension drawing.

**UNIT MOUNTING & APPLICATION**  
 Must be mounted as shown. Airstreams cannot be switched.

