

**BYPASS AIRFLOW SCHEMATIC
TOP VIEW
(OA/SA Airstream Not Shown)**

Abbreviations

EA: Exhaust Air to outside
 OA: Outside Air intake
 RA: Room Air to be exhausted
 SA: Supply Air to inside

INSTALLATION ORIENTATION

Unit may be installed in any orientation.

NOTE

1. UNLESS OTHERWISE SPECIFIED, DIMENSIONS ARE ROUNDED TO THE NEAREST EIGHTH OF AN INCH.

2. SPECIFICATIONS MAY BE SUBJECT TO CHANGE WITHOUT NOTICE.

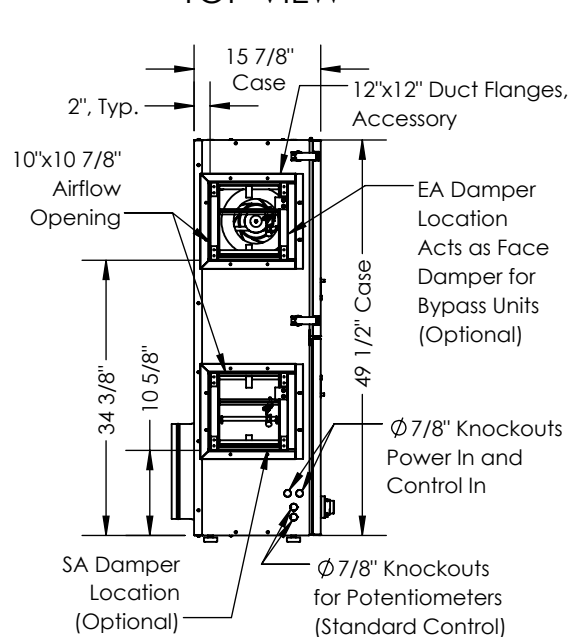
UNITS WITH BYPASS

1. WILL REQUIRE ADDITIONAL SPACE FOR THE CONNECTION OF THE BYPASS DUCT (BY OTHERS).

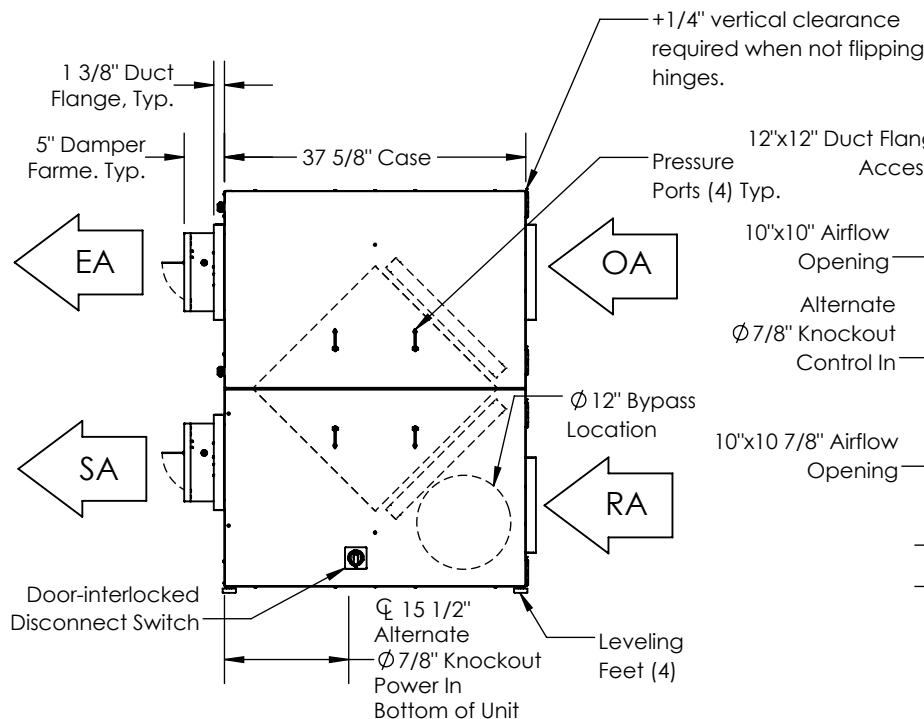
2. FOR INSTALLATION DETAILS, REFER TO I&O MANUAL SUPPLEMENT FOR BYPASS.

3. BYPASS DAMPER SHIPPED LOOSE, FIELD INSTALLATION REQUIRED.

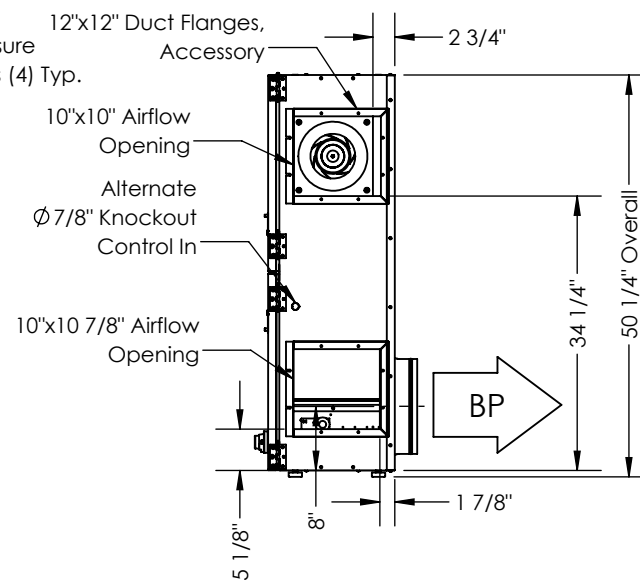
TOP VIEW



LEFT VIEW



FRONT VIEW



RIGHT VIEW