

**Abbreviations**

EA: Exhaust Air to outside  
 OA: Outside Air intake  
 RA: Room Air to be exhausted  
 SA: Supply Air to inside

**INSTALLATION ORIENTATION**

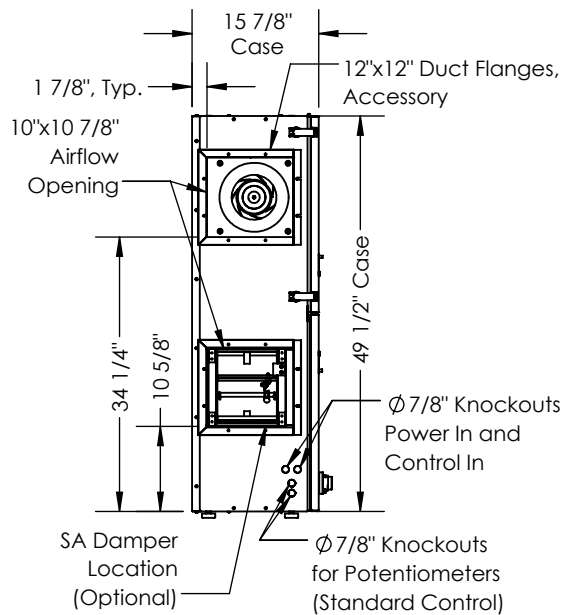
Unit may be installed in any orientation.

**NOTE**

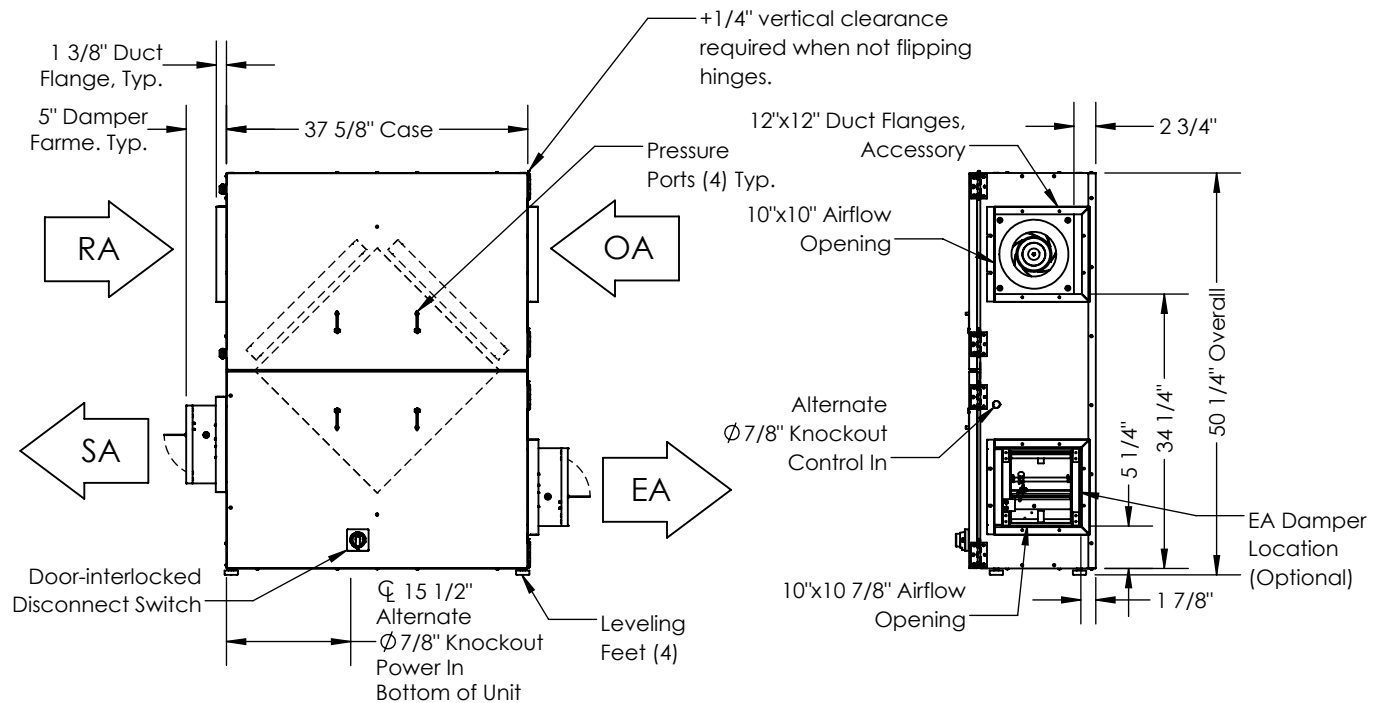
1. UNLESS OTHERWISE SPECIFIED, DIMENSIONS ARE ROUNDED TO THE NEAREST EIGHTH OF AN INCH.

2. SPECIFICATIONS MAY BE SUBJECT TO CHANGE WITHOUT NOTICE.

**TOP VIEW**



**LEFT VIEW**



**FRONT VIEW**

**RIGHT VIEW**

Model: HE07INV  
 Drawing Type: Unit Dimension  
 Version: NOV25

