



Energy recovery core is AHRI Certified®



### SPECIFICATIONS

**Ventilation Type:**

Static plate, heat and humidity transfer

**Airflow Range:** 250–1100 CFM

**AHRI 1060 Certified Core:**

One L125-G5

**Standard Features:**

- Non-fused disconnect
- 24VAC transformer/relay package
- Cross-core differential pressure ports
- Independent blower control

**Filters:**

Total Qty. 2, MERV 8: 20" x 20" x 2"

**Unit Weight:**

194-350 lbs., varies by option(s)

**Max. Shipping Dimensions & Weight (on pallet):**

60" L x 30" W x 55 1/4" H  
385 lbs.

**Motor(s):**

Qty. 2, 370W ea., Direct drive EC motorized impeller packages (208–230V/1Ph/60Hz)

**Options:**

Qty. 2, Direct drive EC motorized impeller packages:  
480W 120V/1Ph/60Hz (Advanced),  
680W 208–230V/1Ph/60Hz (Advanced),  
860W 460V/3Ph/60Hz (Advanced)

Fused disconnect

Integrated programmable controls: enhanced, premium

Bypass economizer damper (see DIM drawing):

dry-bulb temperature controls (standard),

enthalpy controls (option)

Class 1 low leakage motorized isolation dampers:

FA, EA or both airstreams

Factory mounted filter alarms: both airstreams

Double wall construction

Exterior paint: white, custom colors

**Accessories:**

Filters: MERV 13, 2" (shipped loose)

Backdraft damper: 12"

Automatic balancing damper: 4", 5", 6"

Hooded wall vent 12": galvanized, paintable galvanneal

Potentiometer speed control: remote installed

Digital time clock: wall mount (TC7D-W),

in exterior enclosure (TC7D-E)

Carbon dioxide sensor/control:

wall mount (CO2-W), duct mount (CO2-D)

IAQ sensor: wall mount (IAQ-W), duct mount (IAQ-D)

Motion occupancy sensor/control:

ceiling mount (MC-C), wall mount (MC-W)

Smoke detector: duct mount (SD-D)

BACnet fan control: wall mount (BACNETFC-W)

Indoor electric duct heater: RH series (1–11.5 kW),

EK series (1–175 kW);

Indirect gas-fired duct furnace: GH series (50–400 MBH);

Installed downstream of any fans

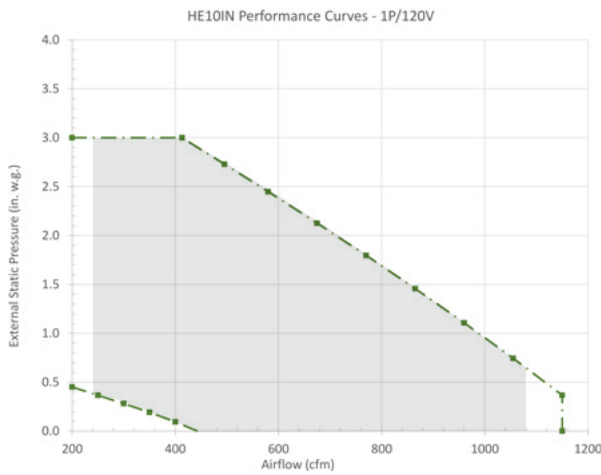
HE+DX coils integrated system

Hanging bracket kit

Hanging spring vibration isolation kit

Duct flange kit: square 14" x 14", 2 flanges

### EC MOTOR OPERATING RANGE AND FAN PERFORMANCE

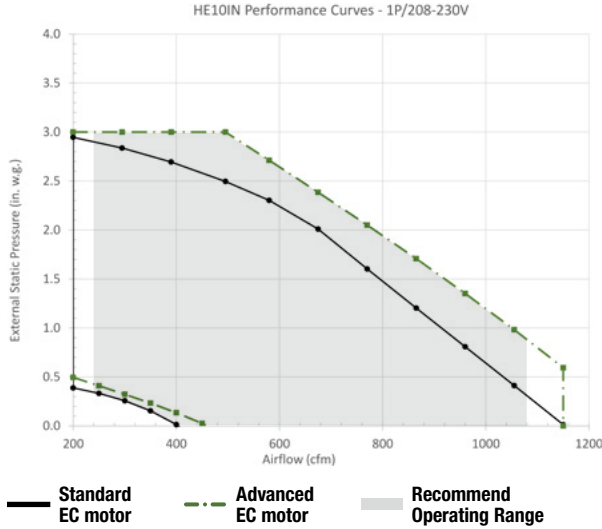


--- Advanced EC motor  
■ Recommended Operating Range

HE10IN MOTOR 1P/120V Options		
Airflow (CFM)	Advanced EC	
	External Static Pressure (Inches Water Column)	Unit Power Consumption (Watts)
200	3.00	673
413	3.00	989
495	2.73	1027
580	2.45	1060
675	2.13	1087
770	1.80	1105
865	1.46	1113
960	1.11	1113
1055	0.75	1103
1150	0.37	1084
1150	0.00	877

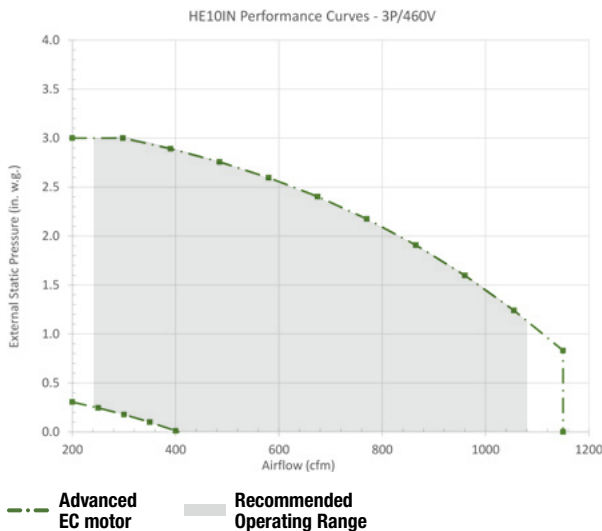
**Note:** Airflow performance includes effect of clean, standard filter supplied with unit.

### EC MOTOR OPERATING RANGE AND FAN PERFORMANCE



HE10IN MOTOR 1P/208-230V Options				
Airflow (CFM)	Standard EC		Advanced EC	
	External Static Pressure (Inches Water Column)	Unit Power Consumption (Watts)	External Static Pressure (Inches Water Column)	Unit Power Consumption (Watts)
200	2.95	571	3.00	672
295	2.84	658	3.00	809
390	2.69	737	3.00	953
495	2.50	813	3.00	822
580	2.30	864	2.71	1158
675	2.01	900	2.38	1190
770	1.60	900	2.05	1215
865	1.20	900	1.71	1231
960	0.81	900	1.35	1239
1055	0.41	900	0.98	1239
1150	0.01	900	0.59	1232
1150			0.00	877

Note: Airflow performance includes effect of clean, standard filter supplied with unit.



HE10IN MOTOR 3P/460V Options		
Airflow (CFM)	Advanced EC	
	External Static Pressure (Inches Water Column)	Unit Power Consumption (Watts)
200	3.00	807
298	3.00	928
390	2.89	1015
485	2.76	1105
580	2.60	1191
675	2.40	1273
770	2.18	1346
865	1.91	1408
960	1.60	1456
1055	1.24	1488
1150	0.83	1501
1150	0.00	1097

Note: Airflow performance includes effect of clean, standard filter supplied with unit.

### ELECTRICAL DATA

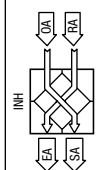
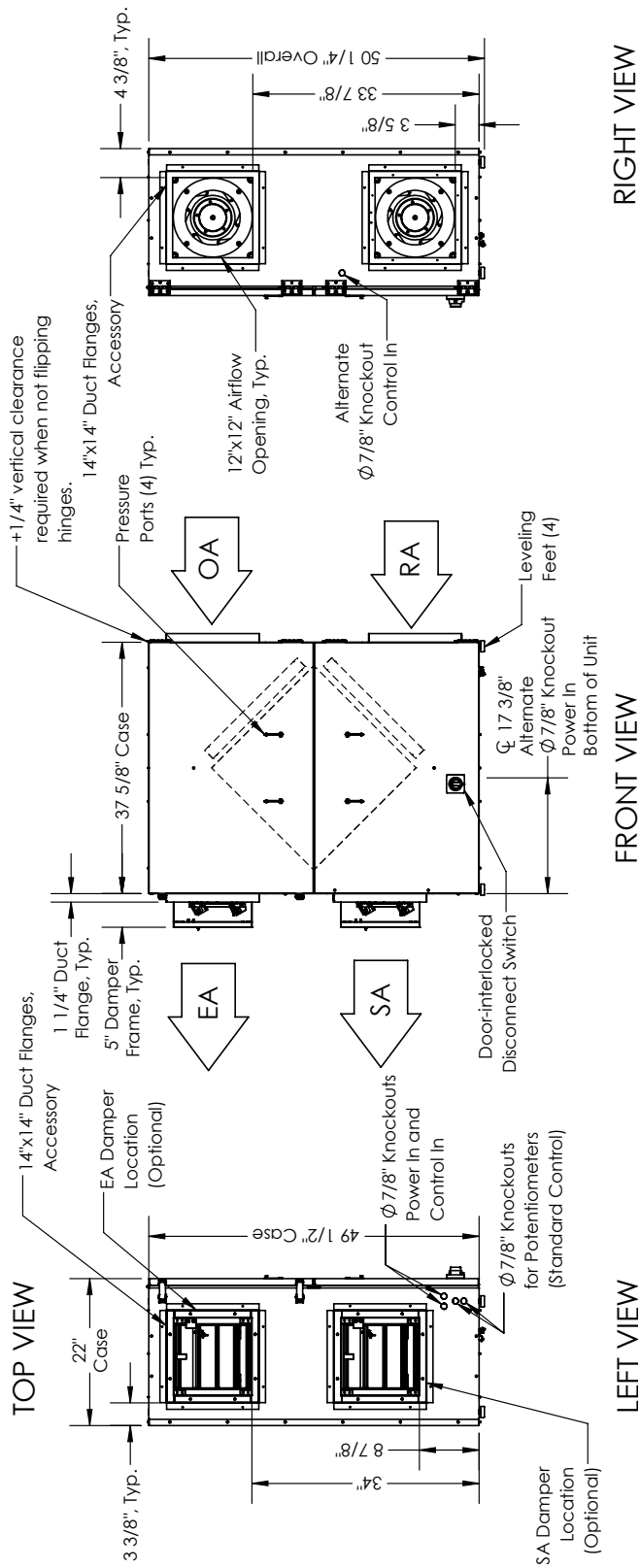
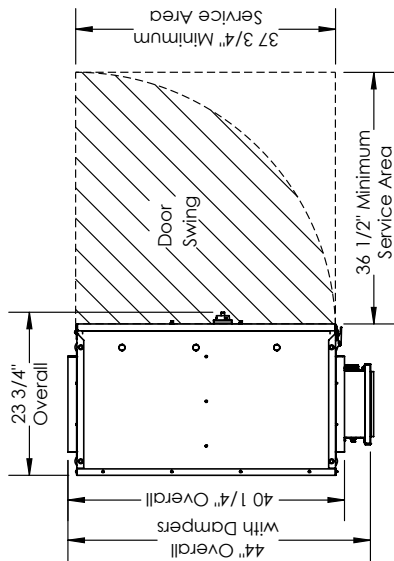
Option	Watts	Volts	Hz	Phase	FLA per motor	Min. Cir. Amps	Max. Overcurrent Protection Device
[EE] Standard	370	208-230	60	Single	1.73	3.9	15
[AA] Advanced	480	120	60	Single	6.5	14.6	20
	680	208-230	60	Single	5	11.3	15
	860	460	60	Three	1.22	2.7	15

# HE10INH ENERGY RECOVERY VENTILATOR EC MOTOR

**Abbreviations**  
 EA: Exhaust Air to outside  
 OA: Outside Air intake  
 RA: Room Air to be exhausted  
 SA: Supply Air to inside

**INSTALLATION ORIENTATION**  
 Unit may be installed in any orientation.

**NOTE**  
 1. UNLESS OTHERWISE SPECIFIED, DIMENSIONS ARE ROUNDED TO THE NEAREST EIGHTH OF AN INCH.  
 2. SPECIFICATIONS MAY BE SUBJECT TO CHANGE WITHOUT NOTICE.



**AIRFLOW ORIENTATION**  
 Available as shown:



**UNIT MOUNTING & APPLICATION**  
 Can be mounted in any orientation. RA/EA airstream can be switched with OA/SA airstream unless certain options are selected.

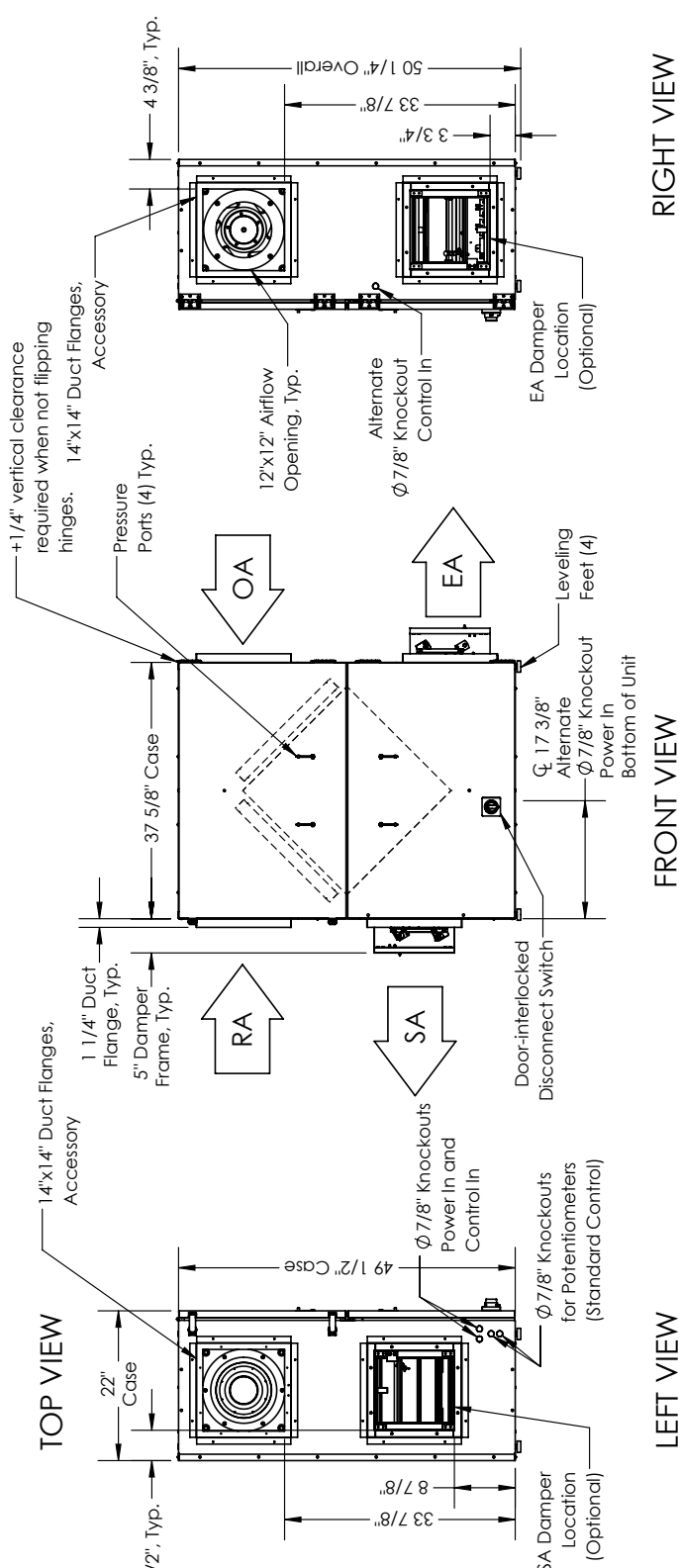


# HE10INV ENERGY RECOVERY VENTILATOR EC MOTOR

**Abbreviations**  
 EA: Exhaust Air to outside  
 OA: Outside Air intake  
 RA: Room Air to be exhausted  
 SA: Supply Air to inside

**INSTALLATION ORIENTATION**  
 Unit may be installed in any orientation.

**NOTE**  
 1. UNLESS OTHERWISE SPECIFIED, DIMENSIONS ARE ROUNDED TO THE NEAREST EIGHTH OF AN INCH.  
 2. SPECIFICATIONS MAY BE SUBJECT TO CHANGE WITHOUT NOTICE.



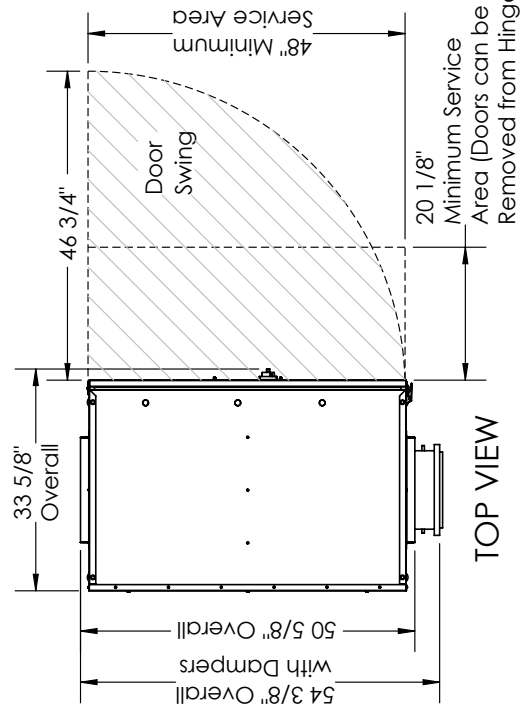
**RIGHT VIEW**

**FRONT VIEW**

**LEFT VIEW**



# HE10INH ENERGY RECOVERY VENTILATOR EC MOTOR WITH BYPASS ECONOMIZER



**ABBREVIATIONS**  
 EA: Exhaust Air to Outside  
 OA: Outside Air Intake  
 RA: Room Air to be Exhausted  
 SA: Supply Air to Inside

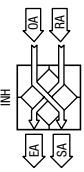
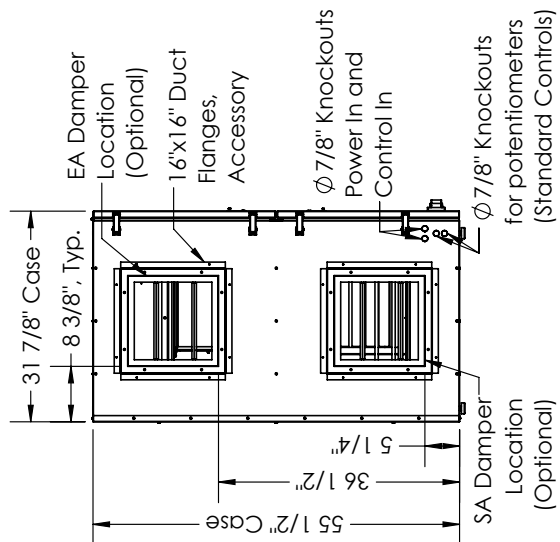
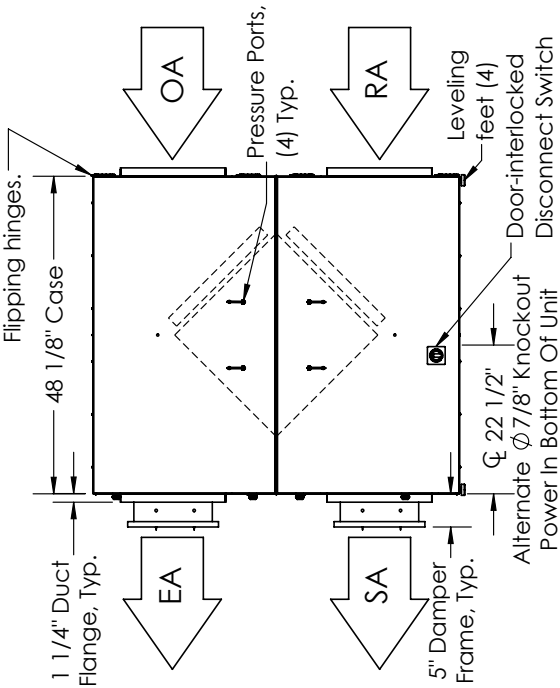
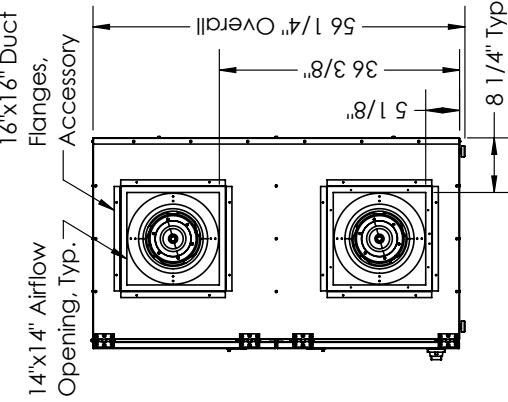
**INSTALLATION ORIENTATION**  
 Unit may be installed in any orientation.

**NOTE**  
 1. UNLESS OTHERWISE SPECIFIED, DIMENSIONS ARE ROUNDED TO THE NEAREST EIGHTH OF AN INCH.  
 2. SPECIFICATIONS MAY BE SUBJECT TO CHANGE WITHOUT NOTICE.

+1/4" Vertical Clearance Required when not Flipping hinges.

48 1/8" Case

31 7/8" Case



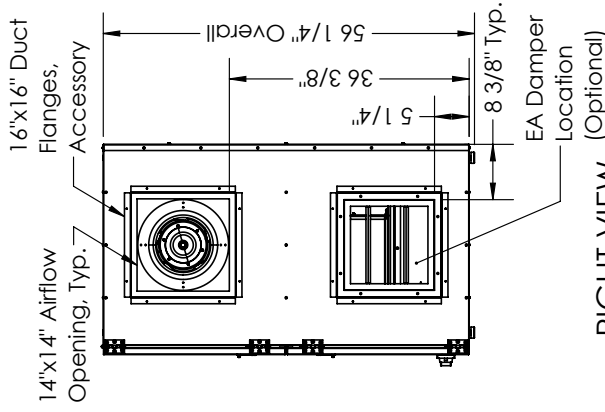
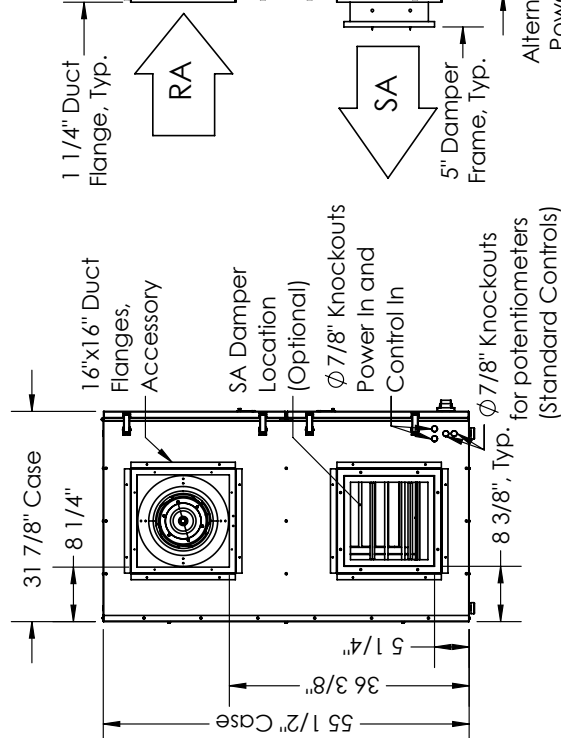
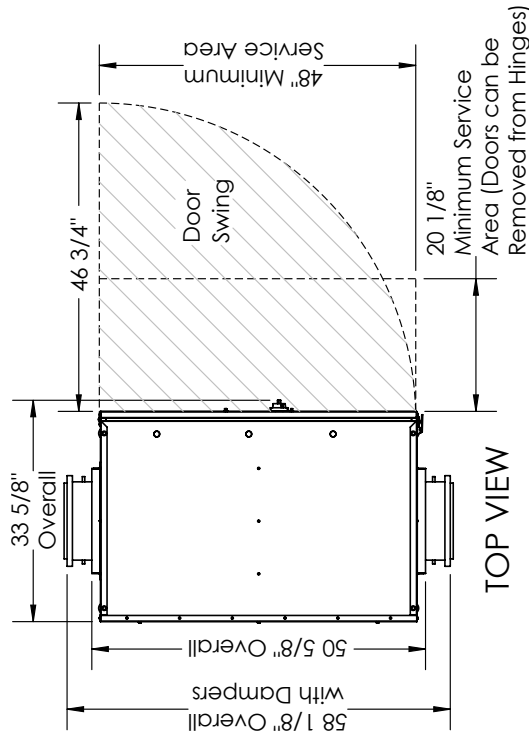
**AIRFLOW ORIENTATION**  
 Available as shown:



**UNIT MOUNTING & APPLICATION**  
 Can be mounted in any orientation. Airstream cannot be switched.



# HE10INV ENERGY RECOVERY VENTILATOR EC MOTOR WITH BYPASS ECONOMIZER



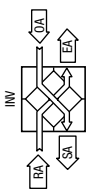
**ABBREVIATIONS**  
 EA: Exhaust Air to Outside  
 OA: Outside Air Intake  
 RA: Room Air to be Exhausted  
 SA: Supply Air to Inside

**INSTALLATION ORIENTATION**  
 Unit may be installed in any orientation.

**NOTE**  
 1. UNLESS OTHERWISE SPECIFIED, DIMENSIONS ARE ROUNDED TO THE NEAREST EIGHTH OF AN INCH.  
 2. SPECIFICATIONS MAY BE SUBJECT TO CHANGE WITHOUT NOTICE.

FRONT VIEW

RIGHT VIEW (Optional)



**UNIT MOUNTING & APPLICATION**  
 Can be mounted in any orientation. Airstream cannot be switched.

