

ABBREVIATIONS

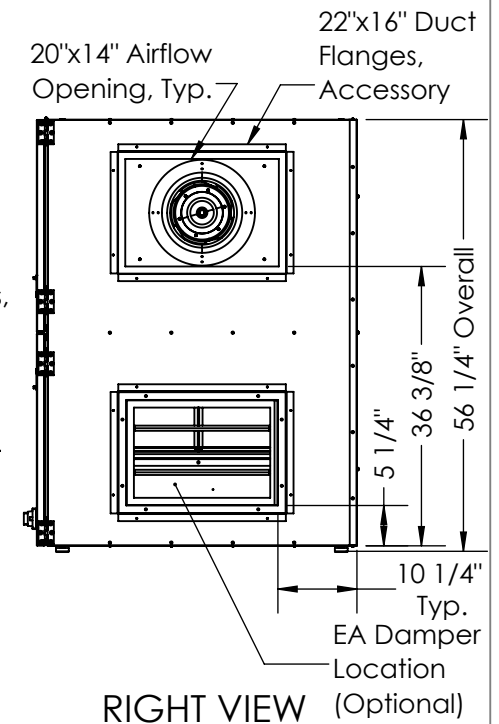
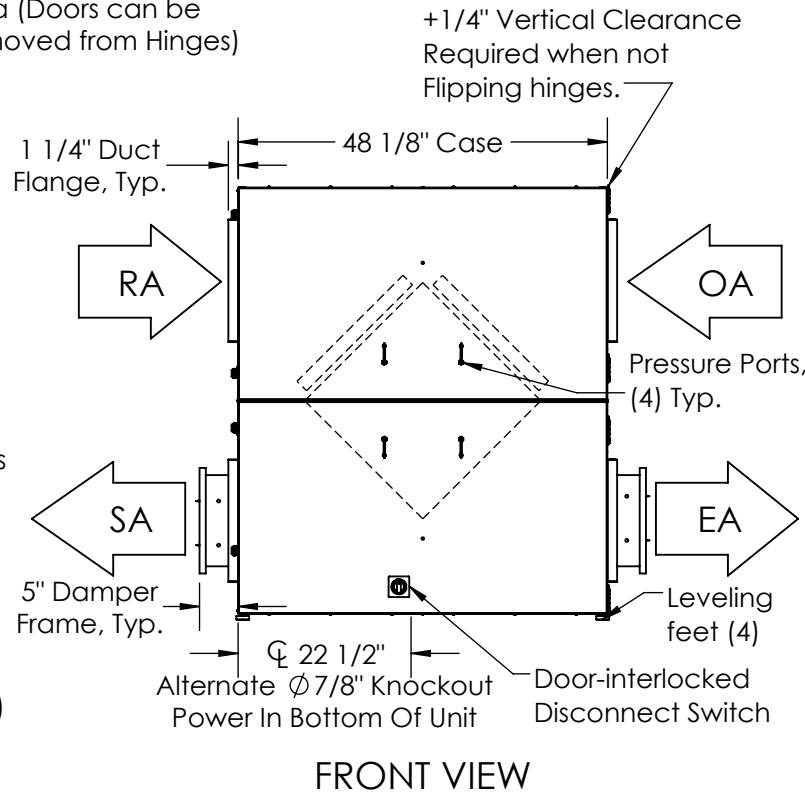
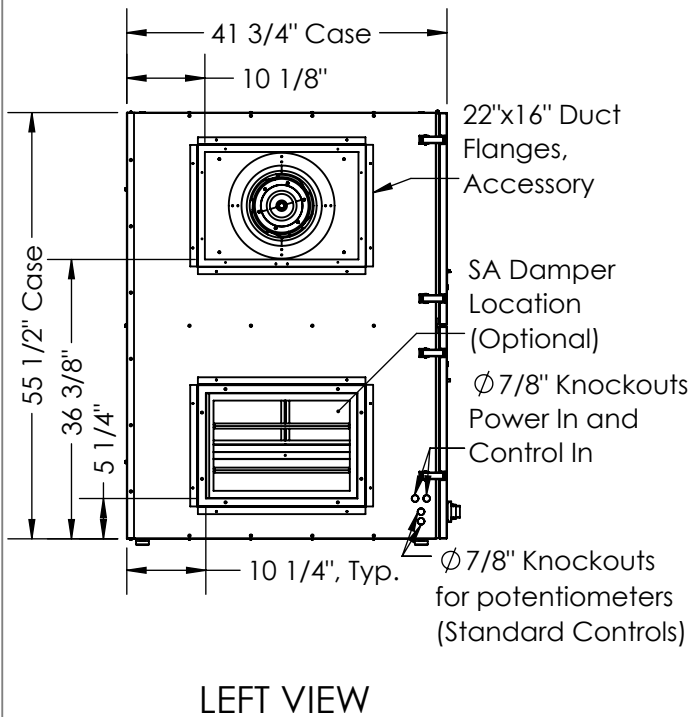
EA: Exhaust Air to Outside
 OA: Outside Air Intake
 RA: Room Air to be Exhausted
 SA: Supply Air to Inside

INSTALLATION ORIENTATION

Unit may be installed in any orientation.

NOTE

1. UNLESS OTHERWISE SPECIFIED, DIMENSIONS ARE ROUNDED TO THE NEAREST EIGHTH OF AN INCH.
 2. SPECIFICATIONS MAY BE SUBJECT TO CHANGE WITHOUT NOTICE.



Model: HE20INV
 Drawing Type: Unit Dimension
 Version: NOV25

