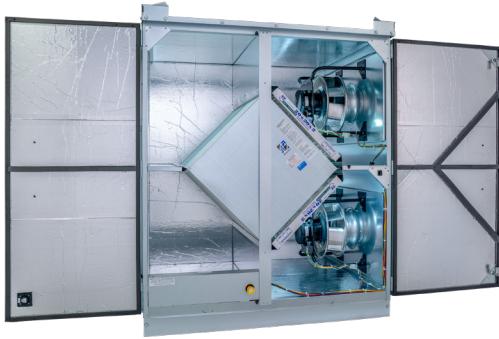


### NEW! ROOFTOP UNIT



Energy recovery core is AHRI Certified®



### SPECIFICATIONS

**Ventilation Type:** Static plate, heat and humidity transfer

**Airflow Range:** 500–2,200 CFM

**AHRI 1060 Certified Core:** Two L125-G5

**Standard Features:**

- Non-fused disconnect
- 24VAC transformer/relay package
- Cross-core differential pressure ports
- Independent blower control

**Filters:** Total qty. 4, MERV 8: 20" x 20" x 2"

**Unit Weight:** 468–709 lbs.

**Max. Shipping Dimensions & Weight (on pallet):**

- 70" L x 47" W x 90 3/4" H
- 72" L x 72" W x 90 3/4" H (bypass economizer)
- 860 lbs.

**Motor(s):**

Qty. 2, 770W ea., Direct drive EC motorized impeller packages (208-230V/1Ph/60HZ)

**Options:**

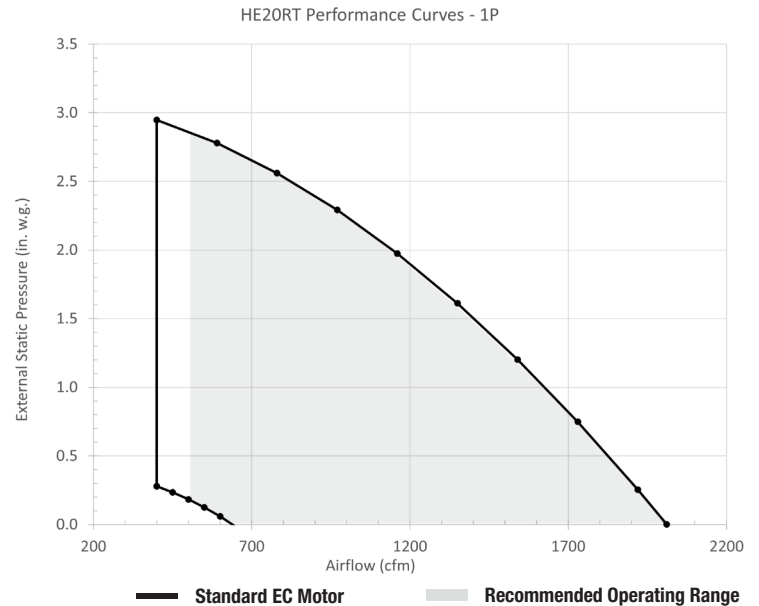
- Qty. 2, Direct drive EC motorized impeller packages
  - 2150W 208-230V/3Ph/60HZ (Advanced)
  - 2100W 460V/3Ph/60HZ (Advanced)
- Fused disconnect
- Integrated programmable controls: enhanced, premium
- Bypass economizer (see bypass DIM drawing):
  - dry-bulb temperature controls (standard)
  - enthalpy controls (option)
- Class 1 low leakage motorized isolation dampers:
  - SA, EA or both airstreams
- Factory mounted filter alarms: both airstreams
- Double wall construction
- Exterior paint: white, custom colors

**Accessories:**

- Filters: MERV 13, 2" (shipped loose)
- Automatic balancing damper: 4", 5", 6"
- Potentiometer speed control: remote installed
- Roof curb: standard 14"
- Curb wind clip
- Engineered combo curb for Trane or Carrier RTUs
- Digital time clock: wall mount (TC7D-W),
  - in exterior enclosure (TC7D-E)
- Carbon dioxide sensor/control:
  - wall mount (CO2-W), duct mount (CO2-D)
- IAQ sensor: wall mount (IAQ-W), duct mount (IAQ-D)
- Motion occupancy sensor/control:
  - ceiling mount (MC-C), wall mount (MC-W)
- Smoke detector: duct mount (SD-D)
- BACnet fan control: wall mount (BACNETFC-W)
- Indoor electric duct heater: EK series (1–175 kW)
- Indirect gas-fired duct furnace: GH series (50–400 MBH);
  - installed downstream of any fans
- Duct flange kit: square 16" x 22", 2 flanges

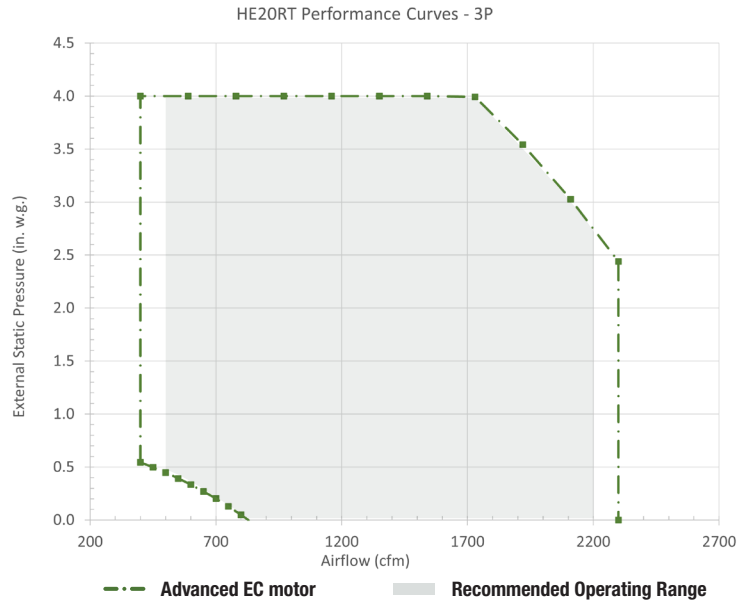
### 1-PHASE EC MOTOR OPERATING RANGE AND FAN PERFORMANCE

Airflow (CFM)	Standard EC	
	External Static Pressure (Inches Water Column)	Unit Power Consumption (Watts)
<b>HE20RT MOTOR 1P/208-230V Option</b>		
400	2.95	999
590	2.78	1100
780	2.56	1197
970	2.29	1284
1160	1.97	1355
1350	1.61	1402
1540	1.20	1418
1730	0.75	1398
1920	0.25	1335
2011	0.00	1287



### 3-PHASE EC MOTOR OPERATING RANGE AND FAN PERFORMANCE

Airflow (CFM)	Advanced EC	
	External Static Pressure (Inches Water Column)	Unit Power Consumption (Watts)
<b>HE20RT MOTOR 3P/208-230V Option</b>		
400	4.00	1610
590	4.00	1855
780	4.00	2127
970	4.00	2426
1160	4.00	2748
1350	4.00	3095
1540	4.00	3469
1730	3.99	3869
1920	3.54	3936
2110	3.03	3982
2300	2.44	4003
<b>HE20RT MOTOR 3P/460V Option</b>		
400	4.00	1533
590	4.00	1766
780	4.00	2026
970	4.00	2310
1160	4.00	2617
1350	4.00	2948
1540	4.00	3304
1730	3.99	3684
1920	3.54	3749
2110	3.03	3792
2300	2.44	3812

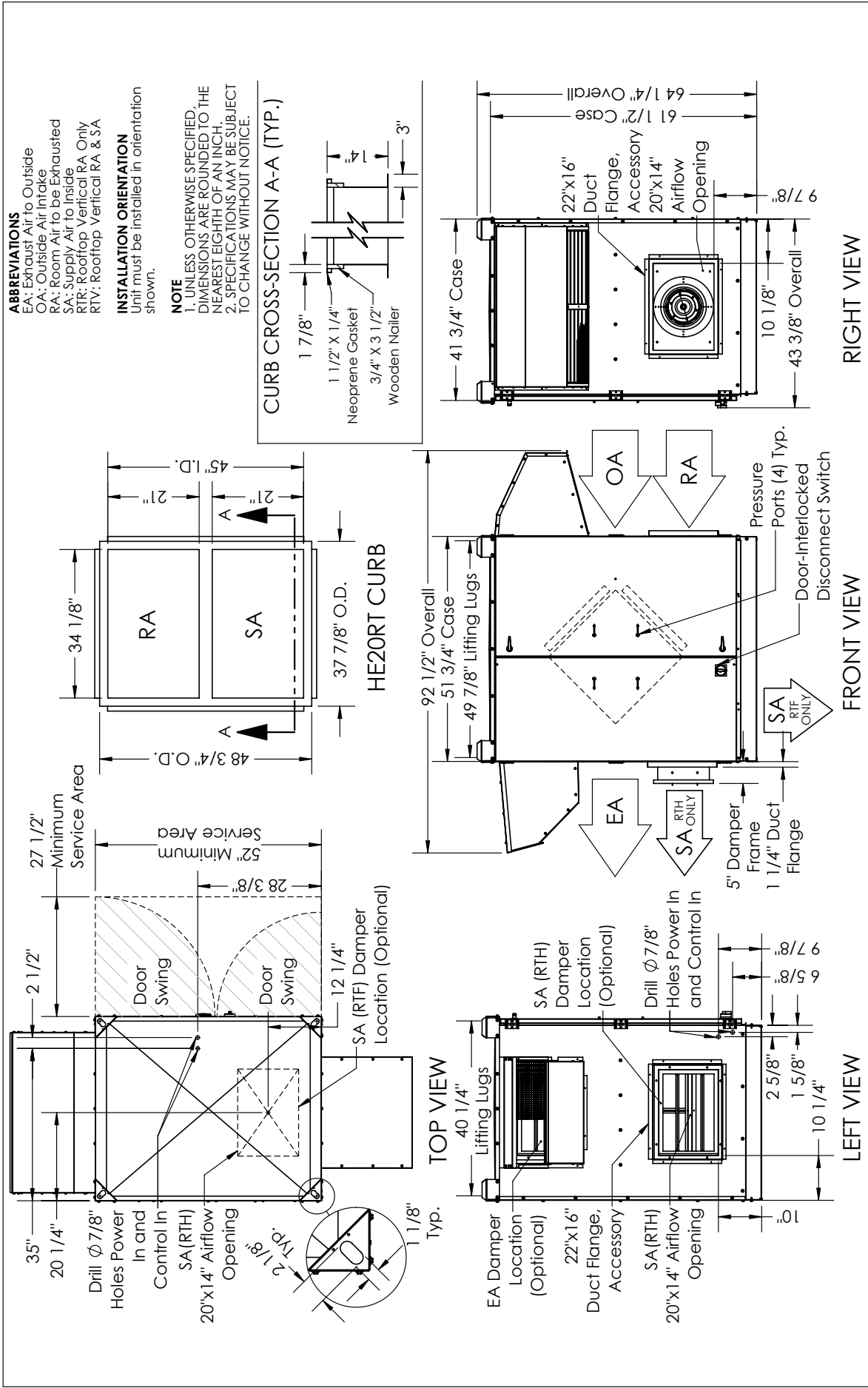


**Note:** Watts is for the entire unit. Airflow performance include effect of clean, standard filter supplied with unit.

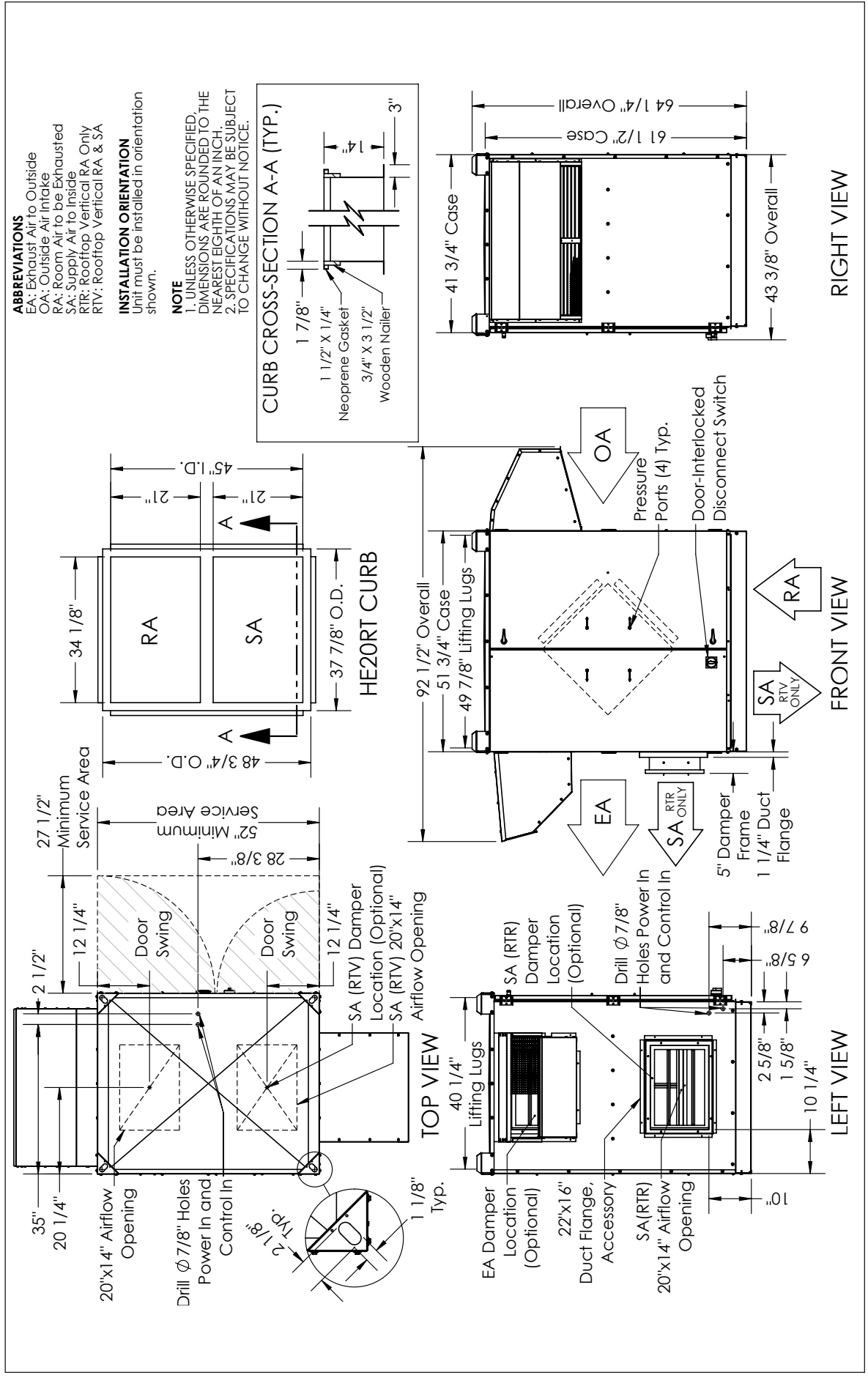
### ELECTRICAL DATA

Option	Watts	Volts	Hz	Phase	FLA per motor	Min. Cir. Amps	Max. Overcurrent Protection Device
[EE] Standard	770	208-230	60	Single	3.4	7.7	15
[AA] Advanced	2150	208-230	60	Three	5.7	12.8	15
	2100	460	60	Three	2.9	6.5	15

# HE20RTH/RTF ENERGY RECOVERY VENTILATOR



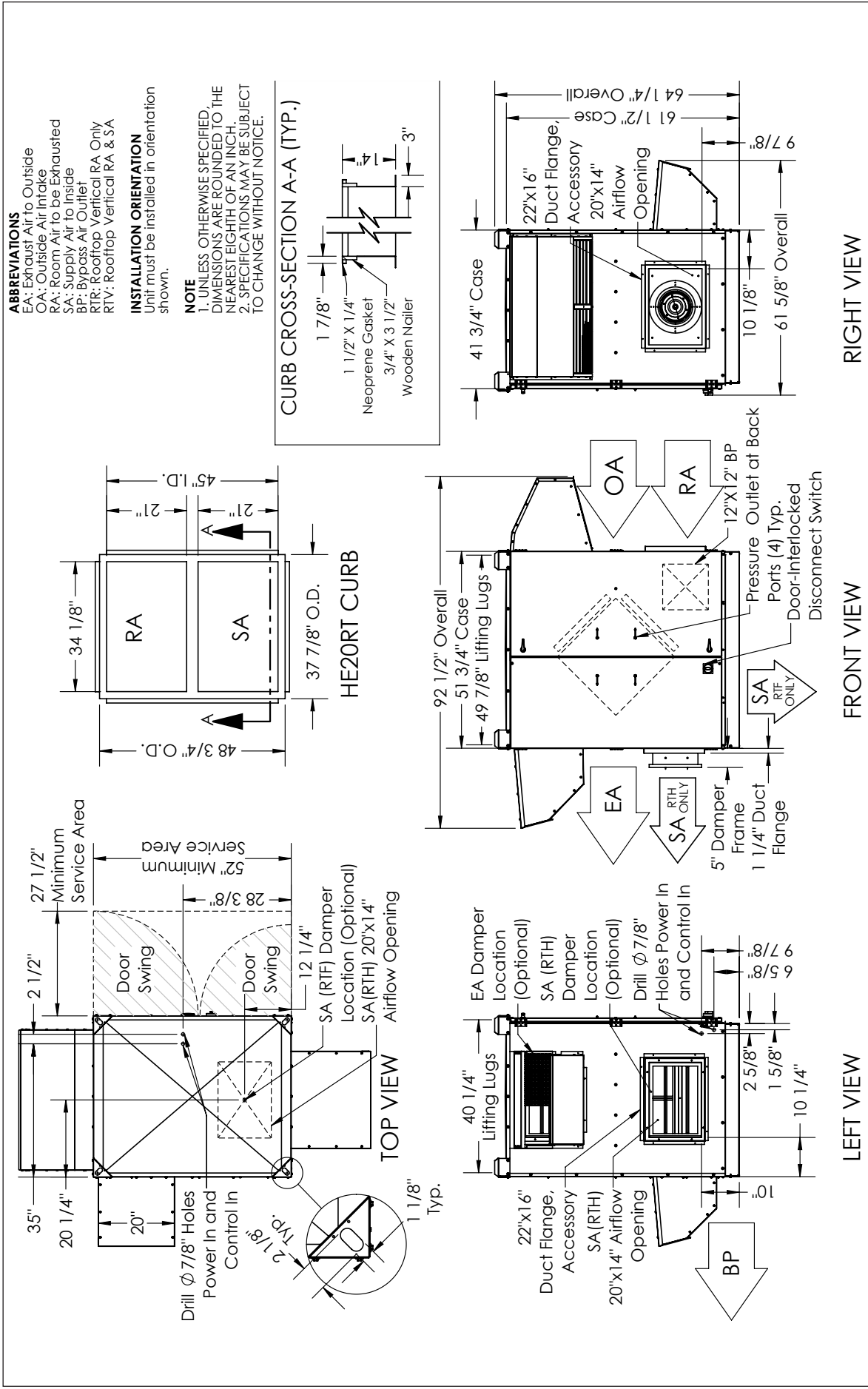
# HE20RTV/RTR ENERGY RECOVERY VENTILATOR



**UNIT MOUNTING & APPLICATION**  
 Must be mounted as shown. Airstreams cannot be switched. Duct configuration is not field convertible.



# HE20RTH/RTF ENERGY RECOVERY VENTILATOR WITH BYPASS ECONOMIZER OPTION

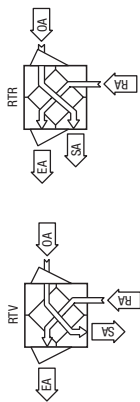
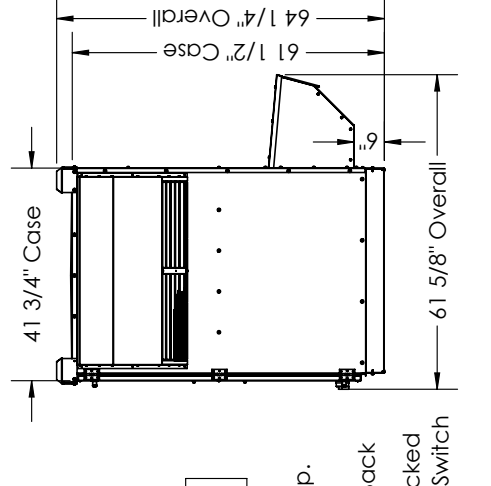
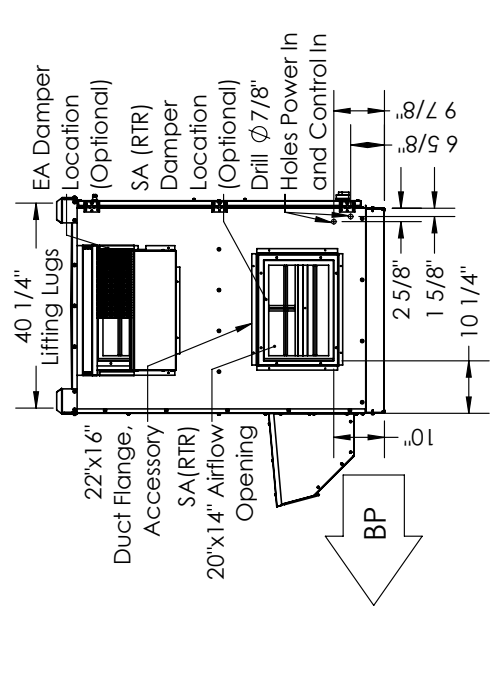
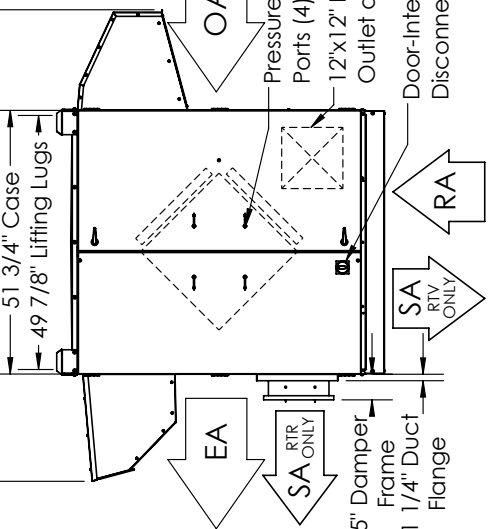
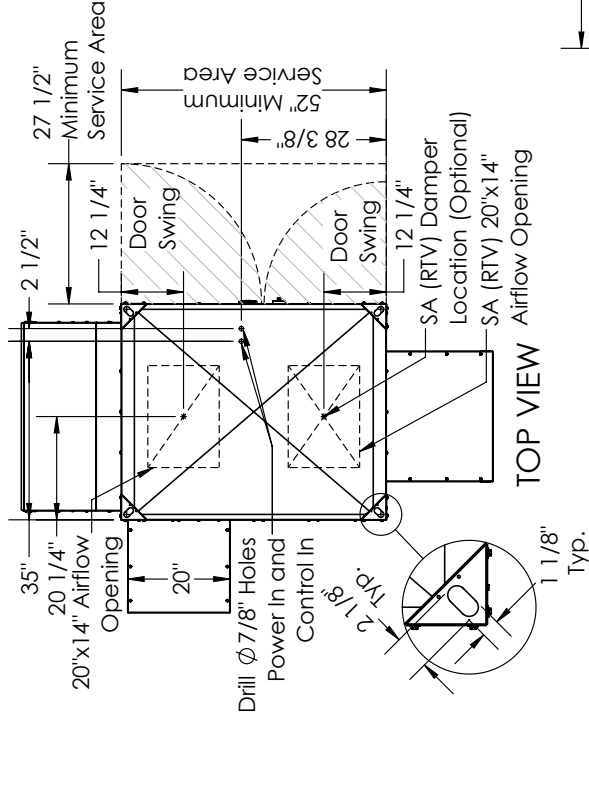
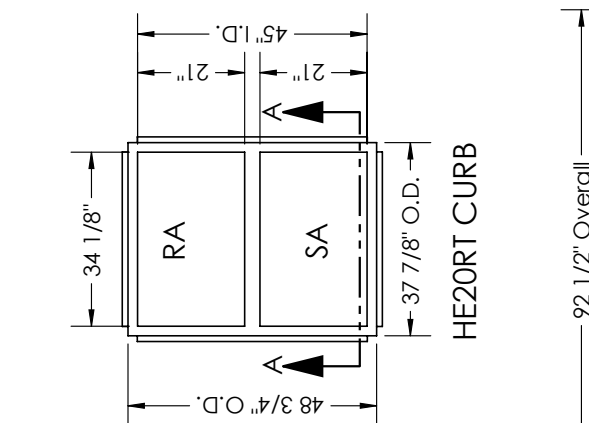
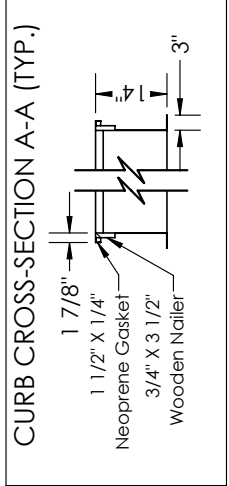


# HE20RTV/RTR ENERGY RECOVERY VENTILATOR WITH BYPASS ECONOMIZER OPTION

**ABBREVIATIONS**  
 EA: Exhaust Air to Outside  
 OA: Outside Air Intake  
 RA: Room Air to be Exhausted  
 SA: Supply Air to Inside  
 BP: Bypass Air Outlet  
 RTR: Rooftop Vertical RA Only  
 RTV: Rooftop Vertical RA & SA

**INSTALLATION ORIENTATION**  
 Unit must be installed in orientation shown.

**NOTE**  
 1. UNLESS OTHERWISE SPECIFIED, DIMENSIONS ARE ROUNDED TO THE NEAREST EIGHTH OF AN INCH.  
 2. SPECIFICATIONS MAY BE SUBJECT TO CHANGE WITHOUT NOTICE.



**AIRFLOW ORIENTATION**  
 Available as shown:



**UNIT MOUNTING & APPLICATION**  
 Must be mounted as shown. Airstreams cannot be switched. Duct configuration is not field convertible.

