

### NEW! INDOOR UNIT



**EE-230MW-P555-XCO,  
EE-230MW-H555-XCO**

**Note:** There are multiple control options designed to address individual climate conditions. Please consult your local installer for the best installation controls for your climate.

### SPECIFICATIONS

**Ventilation Type:**

Static plate, heat and humidity transfer

**Typical Airflow Range:** 30–230 CFM

**Unit is HVI Tested/Certified per CSA C439 Protocol:**  
Using one L-50-G5 Core

**Standard Features:**

- White painted cabinet
- Line-cord power supply or hard wired to junction box (H)
- Low-voltage circuit for controls
- Unit may be mounted in any orientation
- Constant volume airflow setpoints (5 CFM increments)
- Manual balance and airflow adjustments
- Cross-core differential pressure ports
- Variable speed
- 2 speeds: low and high/boost-mode
- Switched terminals for: furnace/AC interconnect or auxiliary NO (x1) or NC (x1) outputs, independent low and high-speed activation, damper controls (x2)
- ERV status/fault LEDs:

Filter monitoring, replacement, indication, and reset

**Controls:**

- Onboard digital controller with independent variable speeds
- Easy connect terminal strip
- Touchscreen Control+ (TC1+) accessory is required for unit setup, optional for operation

**Filters:**

Total qty. 2, MERV 8, spun-polyester media:  
10 1/2" x 10 1/2" x 1"

**Unit Weight:** 36 lbs.

**Max. Shipping Dimensions & Weight (in carton):**

32" L x 22" W x 18" H  
48 lbs.

**Units Per Pallet:** 8

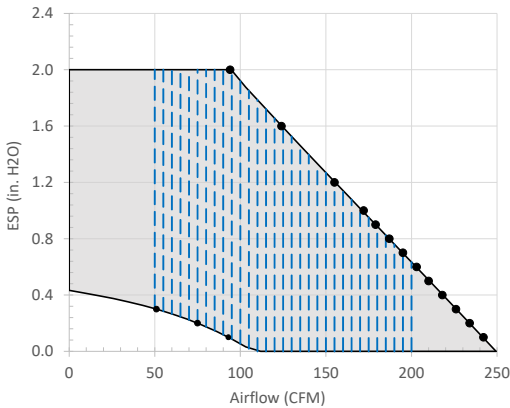
**Motor(s):**

Qty. 2, 120V EC motorized impellers

**Accessories:**

- Backdraft damper: 6", 8"
- Automatic balancing damper: 4", 5", 6"
- Motorized Dampers: 6", 8"
- Concentric Vent: 6" (CV6-110)
- Louvered wall vent 6": white, brown
- Louvered wall vent 8": taupe vinyl, galvanized, paintable galvaneal
- Louvered wall vent with 8" round duct connection: 12" W x 8" H
- Hooded wall vent 8": galvanized, paintable galvaneal
- Digital time clock: wall mount (TC7D-W), in exterior enclosure (TC7D-E)
- Carbon dioxide sensor/control: wall mount (CO2-W), duct mount (CO2-D)
- IAQ sensor: wall mount (IAQ-W), duct mount (IAQ-D)
- Motion occupancy sensor/control: ceiling mount (MC-C), wall mount (MC-W)
- BACnet fan control: wall mount (BACNETFC-W)
- MERV 13 filter: OA airstream (shipped loose)
- Electric duct heater: RH series (1–6 kW); designed for indoor ductwork installation only
- Touchscreen Control+ (TC1+), required for unit setup and 2025 CEC Title 24, Part 6 FID compliance and IECC-2024
- Countdown timer control (LVCT)
- Percentage timer control (LVPT)

### EC MOTORIZED IMPELLER OPERATING RANGE AND CORE PERFORMANCE



● = Actual tested sample points

| = Manual operating curves, airflow is held constant as static pressure varies

| = Constant airflow setpoints in 5 CFM increments can be achieved between 50–200 CFM

**Factory settings**

1. High speed set to max constant airflow setpoint
2. Low speed set to 125 CFM constant airflow setpoint

Airflow (CFM)	External Static Pressure (Inches Water Column)	Unit Power Consumption (Watts)	Sensible EFF%	Total EFF% Winter/Summer
<b>Max. Speed</b>				
242	0.10	191	57	47/28
233	0.20	190	58	48/29
227	0.30	189	59	49/31
218	0.40	189	60	50/32
210	0.50	191	61	52/34
203	0.60	192	62	53/35
195	0.70	189	63	54/37
186	0.80	191	64	56/38
180	0.90	189	65	57/40
172	1.00	190	66	58/42
155	1.20	191	68	61/45
124	1.60	190	72	66/51
92	2.00	190	77	71/57
<b>Min. Speed</b>				
93	0.10	38	76	71/57
75	0.20	36	79	74/60
51	0.30	32	82	78/65

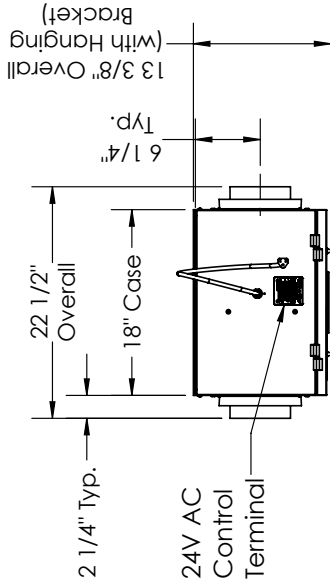
**Notes:**

1. Watts is for the entire unit.
2. Airflow performance includes effect of clean, standard filter supplied with unit.
3. Refer to CORES for specific operating point electrical data.
4. These are core-only ratings and are not HVI certified. Total EFF% calculated at 35/33wb OA and 70/58wb RA (winter) and 95/78wb OA and 75/63wb RA (summer). HVI ratings apply to complete units only. This unit is HVI certified. Refer to RenewAire's Residential HVI Ratings Guide.

### ELECTRICAL DATA

Watts	Volts	Hz	Phase	FLA per motor	Minimum Circuit Amps	Max Overcurrent Protection Device
85	120	60	1	1.22	15	15

**EV PREMIUM+ M** ENERGY RECOVERY VENTILATOR EC MOTORIZED IMPELLER  
EE-230MW-P555-XC0

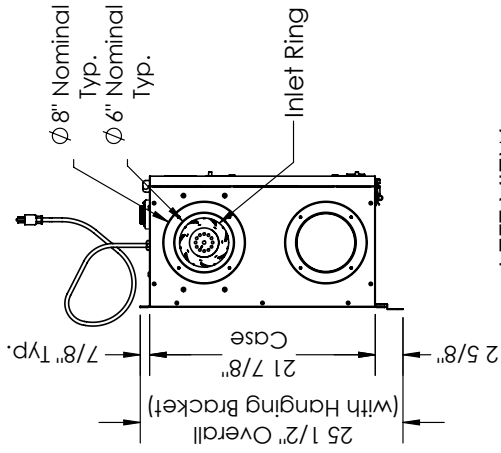


TOP VIEW

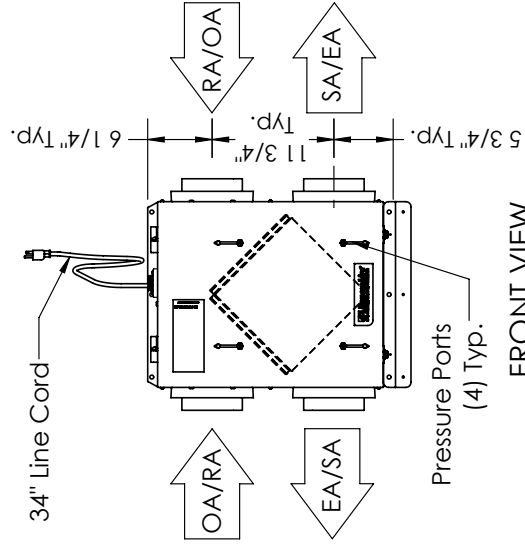
**ABBREVIATIONS**  
EA: Exhaust Air to outside  
OA: Outside Air Intake  
RA: Room Air to be exhausted  
SA: Supply Air to inside

**INSTALLATION ORIENTATION**  
Unit may be installed in any orientation.

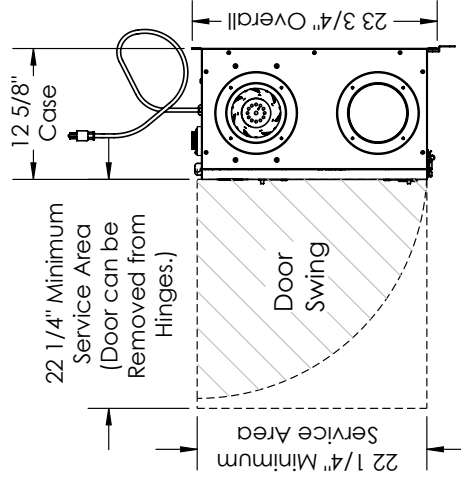
**NOTE**  
1. UNLESS OTHERWISE SPECIFIED, DIMENSIONS ARE ROUNDED TO THE NEAREST EIGHTH OF AN INCH.  
2. SPECIFICATIONS MAY BE SUBJECT TO CHANGE WITHOUT NOTICE.



LEFT VIEW



FRONT VIEW



RIGHT VIEW

**AIRFLOW ORIENTATION**  
Available as shown in dimension drawing.



**UNIT MOUNTING & APPLICATION**  
Can be mounted in any orientation. RA/OA airstream can be switched with OA/SA airstream.