

NEW! INDOOR UNIT



(EV Premium+ MH shown)

**EE-130SW-P555-XB0,
EE-130SW-H555-XB0**

Note: There are multiple control options designed to address individual climate conditions. Please consult your local installer for the best installation controls for your climate.

SPECIFICATIONS

Ventilation Type:
Static plate, heat and humidity transfer

Typical Airflow Range: 30–130 CFM

Unit is HVI Tested/Certified per CSA C439 Protocol:
Using one L-30-G5 Core

Standard Features:
White painted cabinet
Line-cord power supply or hard wired to junction box (H)
Low-voltage circuit for controls
Unit may be mounted in any orientation
Constant volume airflow setpoints (5 CFM increments)
Manual balance and airflow adjustments
Cross-core differential pressure ports
Variable speed
2 speeds: low and high/boost-mode
Switched terminals for: furnace/AC interconnect or auxiliary NO (x1) or NC (x1) outputs, independent low and high-speed activation, damper controls (x2)
ERV status/fault LEDs:
Filter monitoring, replacement, indication, and reset

Controls:
Onboard digital controller with independent variable speeds
Easy connect terminal strip
Touchscreen Control+ (TC1+) accessory is required for unit setup, optional for operation

Filters:
Total qty. 2, MERV 8, spun-polyester media:
7 1/2" x 10 1/2" x 1"

Unit Weight: 32 lbs.

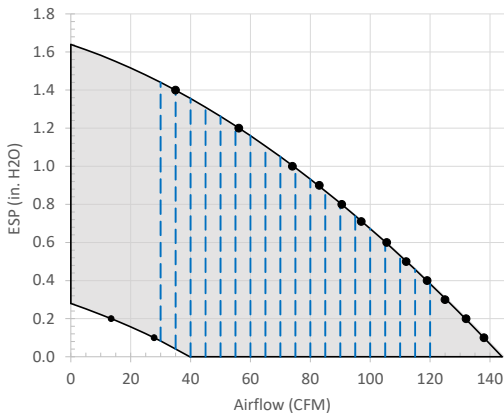
Max. Shipping Dimensions & Weight (in carton):
30" L x 22" W x 15" H
38 lbs.

Units Per Pallet: 10

Motor(s):
Qty. 2, 120V EC motorized impellers

Accessories:
Backdraft damper: 6", 8"
Automatic balancing damper: 4", 5", 6"
Motorized Dampers: 6", 8"
Concentric Vent: 6" (CV6-110)
Louvered wall vent 6": white, brown
Louvered wall vent 8": taupe vinyl, galvanized, paintable galvalneal
Louvered wall vent with 8" round duct connection: 12" W x 8" H
Hooded wall vent 8": galvanized, paintable galvalneal
Digital time clock: wall mount (TC7D-W), in exterior enclosure (TC7D-E)
Carbon dioxide sensor/control: wall mount (CO2-W), duct mount (CO2-D)
IAQ sensor: wall mount (IAQ-W), duct mount (IAQ-D)
Motion occupancy sensor/control: ceiling mount (MC-C), wall mount (MC-W)
BACnet fan control: wall mount (BACNETFC-W)
MERV 13 filter: OA airstream (shipped loose)
Electric duct heater: RH series (1–4 kW); designed for indoor ductwork installation only
Touchscreen Control+ (TC1+), required for unit setup and 2025 CEC Title 24, Part 6 FID compliance and IECC-2024
Countdown timer control (LVCT)
Percentage timer control (LVPT)

EC MOTORIZED IMPELLER OPERATING RANGE AND CORE PERFORMANCE



● = Actual tested sample points
| = Manual operating curves, airflow is held constant as static pressure varies
| = Constant airflow setpoints in 5 CFM increments can be achieved between 30–120 CFM

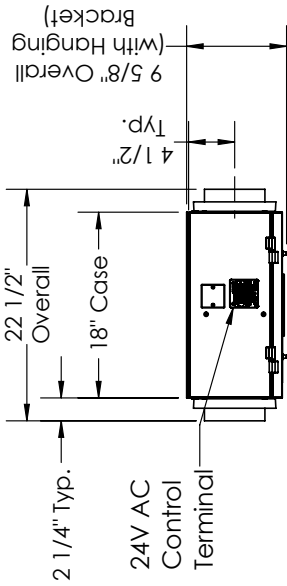
Airflow (CFM)	External Static Pressure (Inches Water Column)	Unit Power Consumption (Watts)	Sensible EFF%	Total EFF% Winter/Summer
Max. Speed				
138	0.10	137	62	54/36
131	0.20	136	64	55/38
125	0.30	134	65	57/40
119	0.40	133	66	58/41
112	0.50	133	67	60/43
106	0.60	130	68	61/45
97	0.70	128	70	63/48
91	0.80	124	71	65/49
83	0.90	121	73	67/52
74	1.00	116	75	69/54
56	1.20	98	78	73/59
35	1.40	85	82	78/65
Min. Speed				
28	0.10	13	83	79/67
13	0.20	12	86	83/71

Notes:
1. Watts is for the entire unit.
2. Airflow performance includes effect of clean, standard filter supplied with unit.
3. Refer to CORES for specific operating point electrical data.
4. These are core-only ratings and are not HVI certified. Total EFF% calculated at 35/33wb OA and 70/58wb RA (winter) and 95/78wb OA and 75/63wb RA (summer). HVI ratings apply to complete units only. This unit is HVI certified. Refer to RenewAire's Residential HVI Ratings Guide.

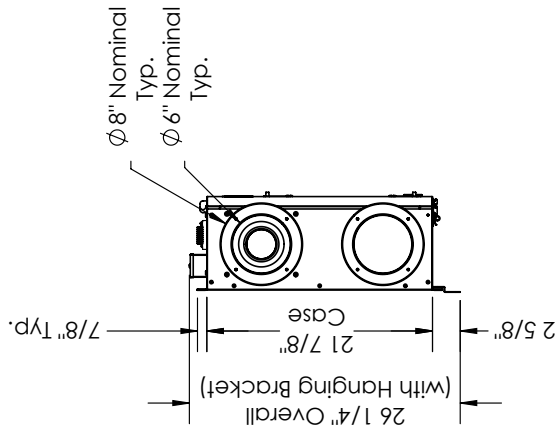
ELECTRICAL DATA

Watts	Volts	Hz	Phase	FLA per motor	Minimum Circuit Amps	Max Overcurrent Protection Device
53	120	60	1	0.85	15	15

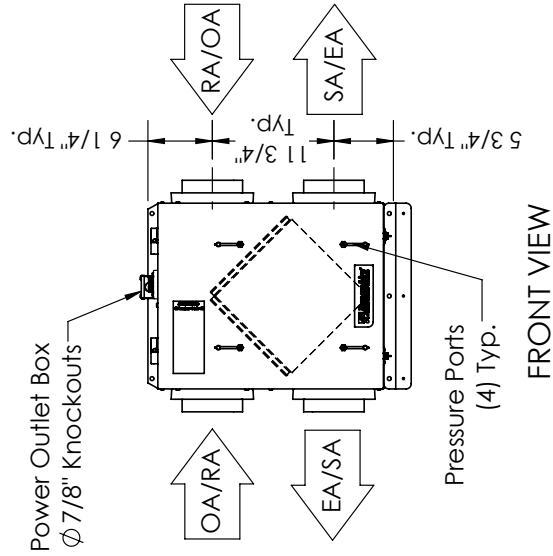
EV PREMIUM+ SH ENERGY RECOVERY VENTILATOR EC MOTORIZED IMPELLER
 EE-130SW-H555-XB0



TOP VIEW



LEFT VIEW

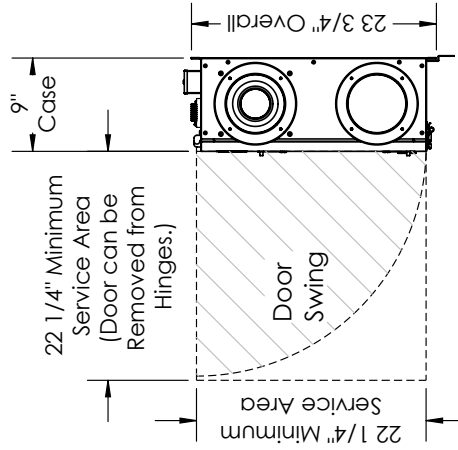


FRONT VIEW

ABBREVIATIONS
 EA: Exhaust Air to outside
 OA: Outside Air Intake
 RA: Room Air to be exhausted
 SA: Supply Air to inside

INSTALLATION ORIENTATION
 Unit may be installed in any orientation.

NOTE
 1. UNLESS OTHERWISE SPECIFIED, DIMENSIONS ARE ROUNDED TO THE NEAREST EIGHTH OF AN INCH.
 2. SPECIFICATIONS MAY BE SUBJECT TO CHANGE WITHOUT NOTICE.



RIGHT VIEW

AIRFLOW ORIENTATION
 Available as shown in dimension drawing.



UNIT MOUNTING & APPLICATION
 Can be mounted in any orientation. RA/EA airstream can be switched with OA/SA airstream.