

# LE SERIES ERV

## Installation, Operation and Maintenance Manual

LE5XRT



LE-6XRTH Shown

**⚠ WARNING****ARC FLASH AND ELECTRIC SHOCK HAZARD**

Arc flash and electric shock hazard. Disconnect all electric power supplies, verify with a voltmeter that electric power is off and wear protective equipment per NFPA 70E before working within electric control enclosure. Failure to comply can cause serious injury or death.

Customer must provide earth ground to unit, per NEC, CEC and local codes, as applicable.

Before proceeding with installation, read all instructions, verifying that all the parts are included and check the nameplate to be sure the voltage matches available utility power.

The line side of the disconnect switch contains live high-voltage.

The only way to ensure that there is NO voltage inside the unit is to install and open a remote disconnect switch and verify that power is off with a volt meter. Refer to unit electrical schematic. Follow all local codes.

**⚠ CAUTION****RISK OF DAMAGE TO ENTHALPIC CORES**

Whenever working within the ERV cabinet, protect the enthalpic cores from accidental damage. The core media is subject to damage from dropped tools or other foreign objects.

**IMPORTANT**

This equipment is to be installed by following Industry Best Practices and all applicable codes. Any damage to components, assemblies, subassemblies or the cabinet which is caused by improper installation practices will void the warranty.

**IMPORTANT**

Air ducts connecting this ERV to the Occupied Space must be installed in accordance with the Standards of the National Fire Protection Agency for the installation of Air-Conditioning and Ventilating Systems (Pamphlet No. 90A) and Warm-Air Heating and Air-Conditioning Systems (Pamphlet No. 90B).

**⚠ CAUTION****RISK OF CONTACT WITH HIGH SPEED MOVING PARTS**

Disconnect all local and remote power supplies, verify with a voltmeter that electric power is off and all fan blades have stopped rotating before working on the unit.

Do not operate this unit with any cabinet panels removed.

**⚠ CAUTION****RISK OF ELECTRIC SHOCK OR EQUIPMENT DAMAGE**

Whenever electrical wiring is connected, disconnected or changed, the power supply to the ERV and its controls must be disconnected. Lock and tag the disconnect switch or circuit breaker to prevent accidental reconnection of electric power.

**⚠ CAUTION****RISK OF CONTACT WITH HOT SURFACES**

The blower motor and other electrical components are extremely hot during operation. Allow sufficient time for them to cool before working within the unit cabinet. Use extreme caution and wear protective gloves and arm protection when working on or near hot blower motors and electrical components.

**IMPORTANT**

This unit is intended for general ventilating and heating only. Do not use to exhaust hazardous or explosive materials and vapors. Do not connect this equipment to range hoods, fume hoods or collection systems for toxics.

**IMPORTANT**

This unit is for ventilating finished structures only. It is not to be used until after all construction has been completed and construction debris and dust are cleaned from the Occupied Space.



<b>1.0 OVERVIEW</b>	<b>7</b>	<b>5.4 OPTIONAL SPRING ISOLATOR ADJUSTMENT</b>	<b>16</b>
1.1 DESCRIPTION	7	<b>5.5 ELECTRICAL REQUIREMENTS</b>	<b>16</b>
1.2 FACTORY ASSEMBLY OF MODULES	7	5.5.1 Factory-Recommended Electric Service Entry	16
1.3 MODELS	7	5.5.2 Low Voltage Control System	17
<b>2.0 COMPONENT DESCRIPTIONS</b>	<b>8</b>	5.5.3 How to Reset the 24 VAC Circuit Breaker	18
2.1 CABINET	8	5.5.4 Limits of Power Output	18
2.2 ENTHALPIC CORES	8	<b>5.5 WIRING SCHEMATICS</b>	<b>19</b>
2.3 FAN/MOTOR ASSEMBLIES	9	<b>5.6 EXTERNAL CONTROL CONNECTIONS</b>	<b>21</b>
2.4 E-BOX	9	5.6.1 Single 2-Wire Control, Unpowered	21
2.5 FILTERS	9	5.6.2 Single 2-Wire Control, Separate Power	21
2.6 CURBS	9	5.6.3 Control Sending 24 VAC “ON” Signal	21
2.7 HOODS	10	5.6.4 External Control Using ERV Power Supply	21
2.8 FACTORY INSTALLED OPTIONS	10	5.6.5 Control with 2 Non-Powered Relay Contacts	22
<b>3.0 SHIPPING/RECEIVING/HANDLING</b>	<b>10</b>	5.6.6 Control with 2 “ON” Signals, External Power	22
3.1 UNIT WEIGHTS AND DIMENSIONS	10	<b>5.7 QUICK-START FOR TESTING CORRECT</b>	<b>23</b>
3.1.1 Unit Weight	10	5.7.1 3PH WIRING	23
3.1.2 Shipping Dimensions and Weight (on Pallet)	10	<b>6.0 UNIT OPERATION</b>	<b>23</b>
3.2 RIGGING AND CENTER OF GRAVITY	11	6.1 PRINCIPLE OF OPERATION	23
3.2.1 LE5XRT Hoisting Weights and COG	11	6.2 PRE-STARTUP	23
3.3 RECEIVING	11	6.2.1 Verify Voltages	23
3.4 RIGGING	11	6.2.2 Verify Transformer Wiring	23
3.5 HANDLING AND STORAGE	11	6.2.3 Inspect Filters	23
<b>4.0 UNIT PLACEMENT</b>	<b>12</b>	6.2.4 Inspect Foam Gasketing	23
4.1 BEFORE YOU BEGIN	12	6.2.5 Inspect Motor Vibration Isolators	23
4.1.1 Assembly of Modules	12	6.2.6 Inspect Belts and Verify Sheave Alignment	23
4.2 SERVICE CLEARANCES	12	6.2.7 Inspect Fans	23
4.3 SOUND ATTENUATION	13	6.2.8 Inspect and Clean the Cabinet Interior	23
4.3.1 Outside the Building	13	6.2.9 Inspect Ductwork Connections	24
4.3.2 At the Curb	13	<b>6.3 UNIT STARTUP</b>	<b>24</b>
4.3.3 Ducts	13	6.3.1 Fixed-Speed Units	24
4.3.4 Radiated Noise	13	<b>6.4 BALANCING AIRFLOW</b>	<b>24</b>
<b>5.0 INSTALLATION</b>	<b>14</b>	6.4.1 All Units Without Integrated Premium Controls	25
5.1 CURB SPECIFICATIONS	14	6.4.2 LE5X Filter Pressure Drop	25
5.2 DUCTWORK	14	6.4.3 Sheave Adjustment	26
5.2.1 Inside Ductwork System	14	6.4.4 Variable-Speed Units	26
5.2.2 Duct Insulation	15	<b>6.5 NORMAL OPERATION</b>	<b>26</b>
5.2.3 Use Dampers to Set and Balance Airflow Rates	15	<b>6.6 EXTREME COLD OPERATION</b>	<b>26</b>
5.3 INSTALLATION OF HOODS	15	<b>7.0 UNIT MAINTENANCE</b>	<b>27</b>
5.3.1 Outside Air Hood	15	7.1 MAINTENANCE 24 HRS. AFTER START-UP	27
5.3.2 Exhaust Air Hoods	15	7.2 MAINTENANCE 30 DAYS AFTER START-UP	27
		7.3 MAINTENANCE SCHEDULE	27
		7.4 FILTERS	27
		7.5 FAN MOTORS	27
		7.5.1 Belt Tension	27
		7.5.2 Sheave Condition	28
		7.5.3 Motor Cleanliness	28
		7.5.5 Motor Lubrication	28

**7.6 PILLOW BLOCKS.....28**

**7.7 ENTHALPIC CORES .....29**

    7.7.1 Enthalpic Core Maintenance.....29

    7.7.2 Enthalpic Core Removal.....29

    7.7.3 Enthalpic Core Replacement .....29

**7.8 PLENUM DIVIDERS .....30**

**7.9 FAN/MOTOR REMOVAL.....30**

**7.10 FILTER REPLACEMENT PRACTICES.....31**

**7.11 DOOR LATCH ADJUSTMENT .....31**

**7.12 SHEAVE ADJUSTMENT.....32**

**7.13 MAINTENANCE RECORDS .....33**

**7.14 SERVICE PARTS.....34**

**8.0 TROUBLESHOOTING .....35**

**9.0 FACTORY ASSISTANCE .....35**

**TABLE OF ILLUSTRATIONS**

---

Figure 1.2.0 Airflow Orientations..... 8

Figure 2.4.0 E-Box With Motor Starters..... 9

Figure 2.7.0 Hood Information..... 10

Figure 3.2.0 LE5XRT Weights and COG ..... 11

Figure 4.2.0 LE5XRT Service Clearance (typ) ..... 12

Figure 5.3.0 Outside Air Hood Installation ..... 15

Figure 5.3.1 Exhaust Air Hood Installation ..... 15

Figure 5.4.0 Typical Spring-Type Vibration Isolator ..... 16

Figure 5.5.0 E-Box Wiring Entry Points..... 17

Figure 5.5.0 Generic Single-Phase Wiring Schematic, Standard..... 19

Figure 5.5.1 Generic Three-Phase Wiring Schematic, Standard..... 20

Figure 5.6.0 Single 2-Wire Control, Unpowered ..... 21

Figure 5.6.1 24 VAC From External Source ..... 21

Figure 5.6.2 External Control Using ERV 24 VAC..... 22

Figure 5.6.3 Control with 2 Non-Powered Relay Contacts..... 22

Figure 5.6.4 Control with 2 “ON” Signals, External Power..... 22

Figure 6.4.0 Pressure Port Locations (typ)..... 25

Figure 7.5.0 Fan Belt Tensioning ..... 28

Figure 7.8.0 Plenum Divider Panels ..... 30

Figure 7.9.0 Fan and Motor Sled ..... 30

Figure 7.10.0 Filter replacement Tool Options ..... 31

Figure 7.13.0 Table of Sheave Adjustments..... 32

Figure 7.12.1 Two-Belt Adjustable Sheave (typ)..... 32

Figure 7.14.0 LE5XRT Service Parts ..... 34




## 1.0 OVERVIEW

### 1.1 DESCRIPTION

The LE5XRT ERV is a total enthalpy energy recovery ventilator. It recovers both sensible and latent energy from a building Exhaust Airstream and transfers that energy into a fresh Outdoor Airstream, which it then introduces into the building Supply Air. The result is a constant supply of fresh outdoor air in the Occupied Space with very little energy loss, enhancing Indoor Air Quality (IAQ). Each ERV has enthalpic cores through which both the EA and SA airstreams pass and each airstream has its own fan motor/blower. Each ERV has a high voltage control panel and a separate low voltage terminal strip for connection to user-specified control devices.

Fan speeds can be either single speed, using adjustable sheaves to change fan speed, or they can be variable speed, controlled by VFDs, a RenewAire Commercial Controller or by a BMS. There are a number of different control devices available to control the operation or speed of the unit fans. For further information on available control accessories, see the HE RenewAire catalog.

 **NOTE:** This unit is an Energy Recovery Ventilator. It is commonly referred to throughout this manual as an “ERV”.

### IMPORTANT

It is important to understand and use the equipment airstream terminology as it is used in this manual. The airstreams are defined as:


- **OUTSIDE AIR (OA):** Air taken from the external atmosphere and, therefore, not previously circulated through the system.
- **SUPPLY AIR (SA):** Air that is downstream of the enthalpic cores and is ready for conditioning or for return to the Occupied Space.
- **RETURN AIR (RA):** Air that is returned to the ERV from a conditioned space.
- **EXHAUST AIR (EA):** Air that is removed from a heating or cooling appliance or from the Occupied Space and discharged.

### 1.2 FACTORY ASSEMBLY OF MODULES

The LE5XRT ERV is built as two modules that are to be assembled in the field. The customer may optionally order the modules to be assembled into one unit in the factory. See Digit 23 of the Configuration Code.

### 1.3 MODELS

The LE5XRT is offered in four different models, the LE5XRTE, the LE5XRTH, the LE5XRTR, and the LE5XRTV. All four models are intended for rooftop, or outdoor installation, and will generally be installed on a curb or equipment rails. All four models differ from each other in the locations of the airstreams ducting. Units that are mounted on a curb may have one or more airstreams ducted through the floor of the unit while units that are mounted on rails must be ducted through the side walls.

 **NOTE:** There is also an indoor version of this ERV, known as the LE5XIN. It has a separate manual.

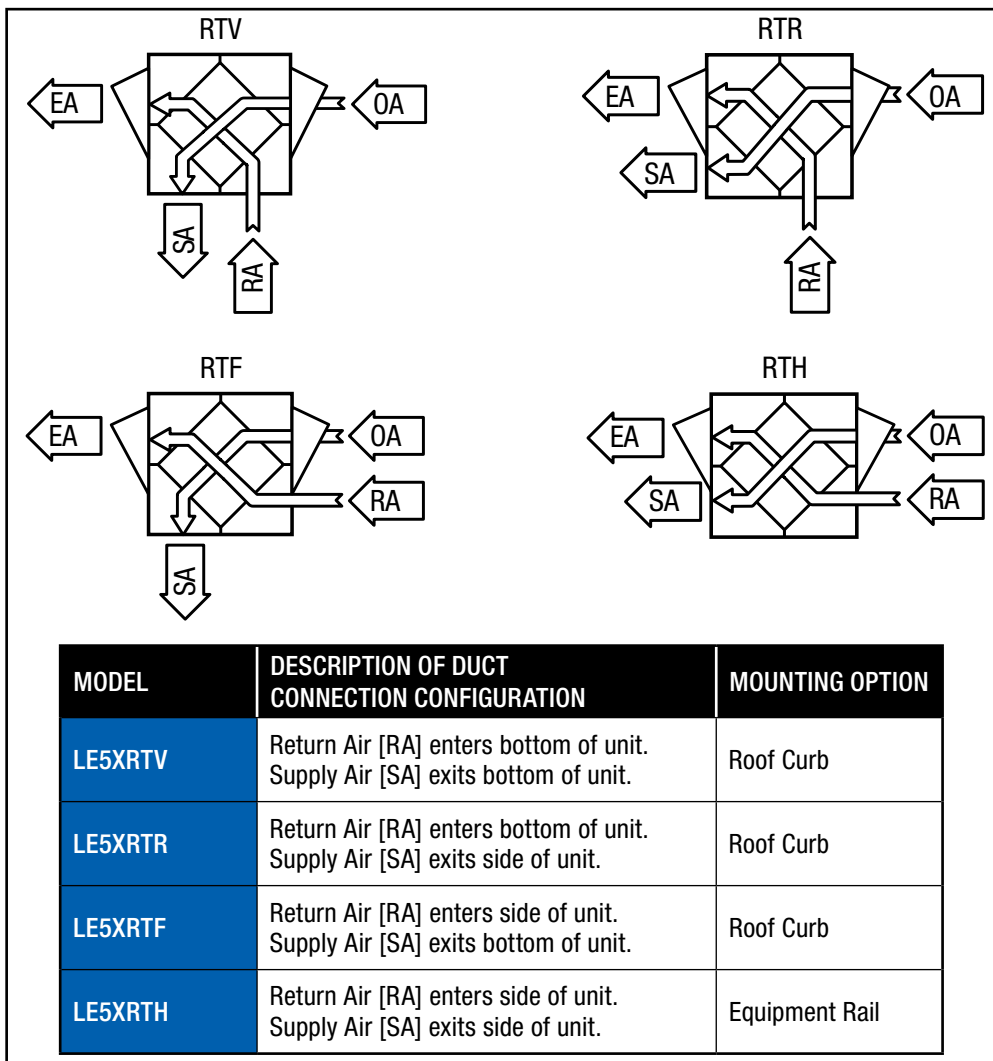


FIGURE 1.2.0 AIRFLOW ORIENTATIONS

## 2.0 COMPONENT DESCRIPTIONS

### 2.1 CABINET

The cabinet for the LE5XRT is made of 20 gauge galvanized steel and has 1" thick high-density, foil-backed insulation on the inside. Units are available in either single-wall or double-wall construction. Doors are hinged and are fitted with stainless steel machine screws through the faces to prevent accidental opening of the doors when the unit is in operation. Doors may be completely removed by removing the hinge pins. All units are equipped with adjustable-height leveling legs for purposes of leveling the unit. Duct flanges are provided at all four airstream openings for connection of field-supplied ductwork.

### 2.2 ENTHALPIC CORES

All LE5XRT ERVs use five static-plate enthalpic cores. The enthalpic cores transfer both latent and sensible energies between the airstreams. Cores are bi-directional and may be rotated in their mounting hardware, but care must be taken to install the correct side of the core toward the unit door. Gasketing is pre-installed on the cores and must be positioned to provide a proper air seal. For information on annual maintenance of the cores, see Section 7.0 Maintenance in this manual.

#### CAUTION

Low air flow can cause fouling of the enthalpic cores. The ERV must never be operated without clean filters in place and minimum airflow must be greater than 250 CFM per full-sized core.

## 2.3 FAN/MOTOR ASSEMBLIES

There are two fan and motor assemblies in each ERV. The fans are belt-driven. All fans have an adjustable sheave on the electric motor for purposes of adjusting the fan speed. The motor assemblies require periodic inspection and lubrication. For information on adjusting sheaves, see Section 7.0 Maintenance.

## 2.4 E-BOX

Every LE5XRT is equipped with what is known as an “E-Box.” High-voltage supply wiring and low-voltage control wiring is all terminated here. When VFDs are installed in the unit, the VFD keypads are installed here. If optional integrated programmable controls are installed, an additional 24 VAC transformer is installed here to power both the controller and its dedicated sensors.

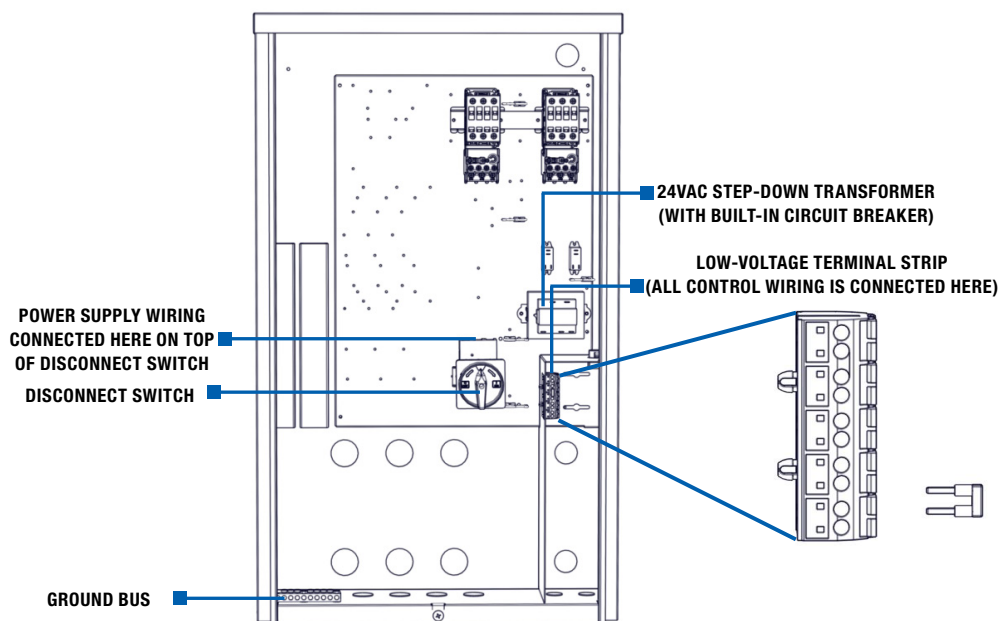


FIGURE 2.4.0 E-BOX WITH MOTOR STARTERS

**NOTE:** Every ERV has an attached electrical connection box, known as the E-Box. It is attached to the outside of the ERV and all electrical connections are made there. There is a high-voltage side and a low-voltage side. See Figure 2.4.0.

## 2.5 FILTERS

All LE5XRT units come equipped with ten MERV 8 20" x 25" x 2" (nominal) pleated filters. Filter holders can be adjusted to hold ten MERV 8 20" x 25" x 4" (nominal) pleated filters which can be ordered as an accessory and are shipped loose.

MERV 13 filters can also be ordered as an accessory and are shipped loose.

- (10) 20" x 25" x 2" (nominal) pleated filters. Actual size: 19.5" x 24.5" x 1.75"
- (10) 20" x 25" x 4" (nominal) pleated filters. Actual size: 19.5" x 24.5" x 3.75"
- Minimum recommended effectiveness: MERV 6.

## 2.6 CURBS

For further information on curbs used with LE units, see the following RenewAire manuals:

- *LE Rigging Manual*
- *Curb Clips Manual*
- *Curb Clip Design Notes*

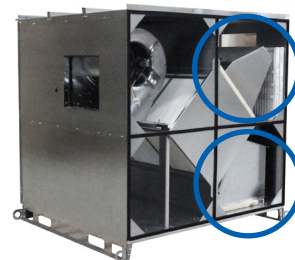
Also see the dimensioned drawings in this manual.

## 2.7 HOODS

Hoods are assembled at the factory and then secured for shipment inside the ERV.



LE5XRT HOOD (TYP)



LE5XRT HOOD SHIPPING LOCATION (TYP)

FIGURE 2.7.0 HOOD INFORMATION

## 2.8 FACTORY INSTALLED OPTIONS

All LE5XRT units can be ordered with factory installed options. See Unit Configuration Code on page 6.

Factory installed options will have supplemental manuals shipped with the unit.

For Isolation Dampers, see *Isolation Dampers Supplemental Manual*.

For Commercial Controls, see *Commercial Controls Supplemental Manual*.

For Filter Alarm, see *Filter Alarm Supplemental Manual*.

For Variable Frequency Drive, see *VFD Supplemental Manual*.

## 3.0 SHIPPING/RECEIVING/HANDLING

LE5XRT units are palletized at the factory and then shipped by common carrier. Upon receipt by the installer, the shipment should be inspected for shipping damage, prior to unloading. Any discovered shipping damage should be immediately reported to the RenewAire sales rep and the damage must be recorded on the Bill Of Lading, prior to signing for acceptance of the shipment. The unit can be handled with a fork lift or a crane. Prior to moving the unit, verify that all latches and securing bolts on the cabinet doors are tightly fastened.

If a crane is used for moving the LE5XRT unit, unscrew the sheet metal plates that hold the unit to the pallet. Use chain, hooks, and a spreader bar to hoist the unit. Attach the hooks to the four lifting lugs on the roof of the unit. Unit hoisting weights and Center of Gravity are detailed in Sections 3.1 and 3.2 in this manual.

Perform a test lift to make sure the unit is being hoisted level and is secure.

Place the LE5XRT unit on a flat surface where it will be protected from the weather and incidental damage. Do not remove protective coverings from any duct openings and keep the doors secured and tightly closed.

## 3.1 UNIT WEIGHTS AND DIMENSIONS

### 3.1.1 Unit Weight

LE5X units are not available in two modules.  
Assembled (1-piece) 1,782–2,334 lbs., varies by option(s)

### 3.1.2 Shipping Dimensions and Weight (on Pallet)

Assembled (1-piece) 120" L x 90" W x 78" H;  
2,554 lbs

### ⚠ CAUTION

#### RISK OF DAMAGE TO ERV CABINET

Whenever the ERV is rigged for hoisting, ALL LIFTING LUGS must be used. If the ERV modules have already been joined, all eight lifting lugs must be used to avoid wracking or twisting the cabinet. See the shipping, rigging, lifting and assembly manual for detailed information.

## 3.2 RIGGING AND CENTER OF GRAVITY

### 3.2.1 LE5XRT Hoisting Weights and COG

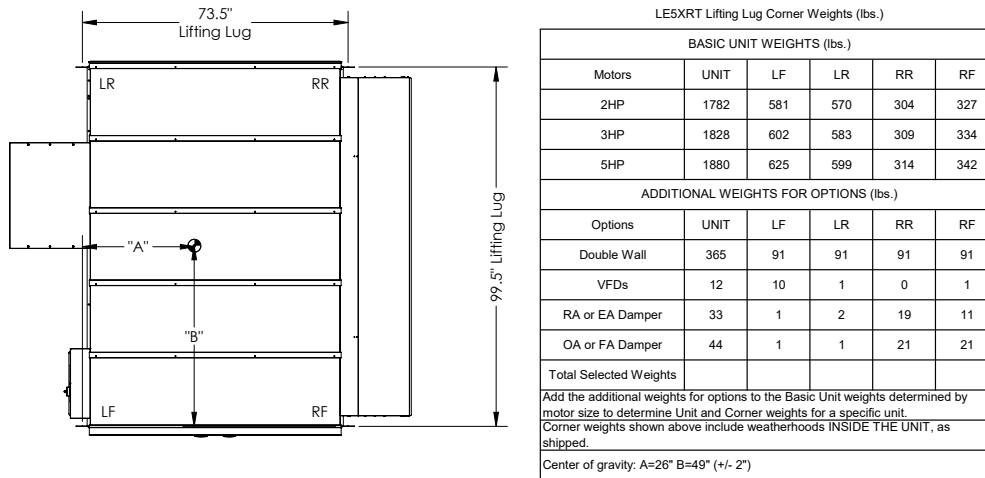


FIGURE 3.2.0 LE5XRT WEIGHTS AND COG

## 3.3 RECEIVING

Upon receipt of the LE5XRT, inspect the unit for obvious external damage. If damage is observed, take digital pictures and report the damage to your RenewAire rep. Note the damage on the carrier's Bill of Lading. Depending on expected transport and storage conditions, the unit may have only the duct openings covered, it may be stretch-wrapped or it may be crated. Do not unwrap the unit at this time. The unit will normally be moved to its final location while still wrapped and attached to its pallet.

The preferred method of hoisting the LE5XRT from the carrier truck is by using a construction forklift or a crane.

For rigging instructions, refer to the LE manual for shipping, rigging, lifting, and assembly that is also available online at [www.renewaire.com](http://www.renewaire.com).

Once the unit is unwrapped, prevent dirt and debris from entering the cabinet by covering any duct openings that do not have attached dampers. Keep the duct openings covered until it's time to connect ductwork.

## 3.4 RIGGING

For rigging instructions, refer to the LE manual for shipping, rigging, lifting and assembly that is also available online at [www.renewaire.com](http://www.renewaire.com).

## 3.5 HANDLING AND STORAGE

Units that must be stored prior to installation should be left on their pallets and protected from weather and physical damage. Units must be placed on a level surface to prevent wracking of the pallet and the LE5XRT. All access doors must be secured with all available hardware (door latches and securing bolts) and all openings into the cabinet must be sealed to prevent entry of dust, dirt and debris.

## 4.0 UNIT PLACEMENT

### 4.1 BEFORE YOU BEGIN

Units that must be stored prior to installation should be left on their pallets and protected from weather and physical damage. Units must be placed on a level surface to prevent warping of the pallet and the LE5X. All access doors must be secured with all available hardware (door latches and securing bolts) and all openings into the cabinet must be sealed to prevent entry of dust, dirt and debris.

The LE5XRT is designed for installation outdoors, typically on a roof top. The preferred mounting method is to place the ERV on an optional manufactured curb, designed for the specific unit. RenewAire recommends the use of optional curb clips to provide substantial resistance to wind damage.

For all installations, maintain needed service clearances as shown on the dimensioned drawings located in Section 4.2 of this manual. The curb should be placed on the completed roof decking and located so that the entire perimeter of the curb rests directly on or above structural steel roof supports.

### NOTICE

This ERV must be installed in compliance with SMACNA guidelines and all applicable local building codes.

#### 4.1.1 Assembly of Modules

Many ERVs are ordered pre-assembled at the factory. For those units that are to be assembled in the field, follow the assembly instructions found in the accompanying LE Models: Shipping, Rigging, Lifting, Assembly manual, to be found in the documentation package shipped with each unit and available online at [www.renewaire.com](http://www.renewaire.com).

### 4.2 SERVICE CLEARANCES

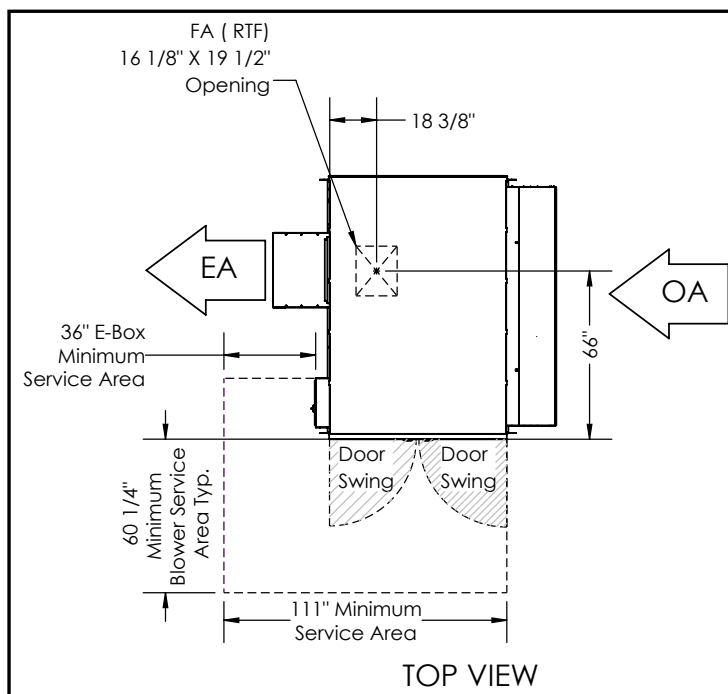


FIGURE 4.2.0 LE5XRT SERVICE CLEARANCE (TYP)

## 4.3 SOUND ATTENUATION

Take these simple steps to attenuate noise from the unit.

### 4.3.1 Outside the Building

Exhaust velocity noise is the primary cause of unit-related noise outside the building. Size the exhaust duct and grille for less than 1000 FPM air velocity. When practical, orient the exhaust air hood to point away from houses or public areas.

### 4.3.2 At the Curb

Cut the holes in the roof deck to fit closely around the duct(s) passing through the roof deck. Seal all gaps around the duct(s) at the roof deck.

### 4.3.3 Ducts

Make sure the ductwork at the unit outlets is stiff enough to resist the flexure and resulting booming associated with system start-up and shut-off, as well as the turbulent flow conditions at the blower outlets.

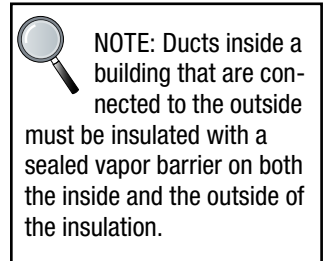
In general, provide smooth transitions from the ERV's outlets to the duct. The ducts connecting to the outlets should be straight for a sufficient distance, with gradual transitions to the final duct size.

These guidelines are consistent with SMACNA recommended duct layout practices for efficient and quiet air movement. Follow SMACNA guidelines.

### 4.3.4 Radiated Noise

The LE5XRT is insulated with high-density fiberglass. This provides significant attenuation of radiated sound.

The outlet ducts can be significant sources of radiated sound as well. The SA and EA ducts (outlet ducts) should be insulated for sound control. This insulation should start at the unit. At a minimum the first ten feet of duct should be insulated. All parts of the SA and EA ducts located in the mechanical space should be insulated for sound control, both to minimize sound radiation out of these ducts and also to control sound radiation into the ducts.



## 5.0 INSTALLATION

### 5.1 CURB SPECIFICATIONS

For all rooftop curbs, the curb is to be placed in a location specified by the Architect/Engineer as being capable of supporting all known loads. Curbs are to be installed using Industry Best Practices. For installation guidelines, see the current National Roofing Contractors Association (NRCA) manuals.

For metal roofs that are supported by structural steel, the supporting structural steel must be located so that it supports the entire perimeter of the curb. Ideally, the curb will be placed directly on the structural steel and the metal roof decking is to be fitted around the curb. It is acceptable to place the metal roof decking on the structural steel and then place the curb on top of the metal roof decking. When this is done, wood fillers must be installed in the decking corrugations to provide complete support for the curb bottom flanges. **In all cases, all four bottom flanges of the curb must bear directly on or over the structural steel roof supports.**

For pre-stressed concrete roofs, the location of the curb must be approved by an engineer as being capable of supporting all known loads.

Curbs are shipped knocked-down and include all necessary assembly hardware, to include foam gasketing tape. To assemble the curb, assemble the four sides of the curb with the provided hardware, but leave the hardware loose. When the four curb sides are assembled, install the provided mid-rails within the curb walls and then tighten all fasteners. See Dimension drawings for curb dimensions.

Curb clips are available as an optional accessory and can be installed if needed. Install foam gasketing (provided) on all bearing surfaces on the curb.

Optional installation on owner-provided rails (LE5XRTH only):

RenewAire recommends that all LE5XRT units be installed on a RenewAire-supplied curb that is manufactured to match individual units. The only unit that may be installed on owner-supplied mountings rails is the LE5XRTH. When owner-supplied mounting rails are used, RenewAire cannot provide installation instructions and it is the responsibility of the installer to verify compliance with all local building codes and structural integrity of the installation. Any such installation on owner-provided rails must be reviewed and approved by an engineer.

### 5.2 DUCTWORK

Basic Requirements:

Always connect an RA and an SA duct to each Rooftop unit.

- With Rooftop units, the RA and SA ducts cannot be interchanged.
- With RTV units, both ducts are inside the building. In other units, such as the RTR, RTF and RTH, at least one of the ducts is outside and must be weatherized.
- Any weatherized duct must be thermally insulated to prevent condensation on the inside or outside of the duct. The duct lining must be vapor-sealed, and the duct exterior must be rain tight. Duct(s) connected to the bottom of the LE5XRT are generally installed at this time. Install (2) ducts with LE5XRTH, (1) duct with LE5XRTR or RTF.

Drop duct(s) into openings in top of roof curb.

Install appropriate gasket on top of Roof Curb and edges of ducts.

#### 5.2.1 Inside Ductwork System

Follow Engineer's Ductwork Design; Ductwork should be designed by an engineer to allow the unit to provide the required airflow.

5.2.2 Duct Insulation

If the inside ducts run through un-conditioned spaces, they must be insulated, with a sealed vapor barrier on both inside and outside of insulation.

5.2.3 Use Dampers to Set and Balance Airflow Rates

In most applications, the airflow rate for both the Supply Air and the Exhaust Air should be roughly equal (or “balanced”) for best performance of the LE5XRT Unit. See unit specification sheet for CFM/ESP curves for available horsepower motors.

**5.3 INSTALLATION OF HOODS**

Rooftop units (RT models) have weatherhoods that are assembled at the factory and shipped inside the unit for field installation. See instructions/figures below.

Installation of the hoods is normally performed after all rigging and hoisting is completed because of the chance of damage to the hoods by the rigging equipment.

All weatherhoods have a flange on the top rear that must be inserted behind the roof panel overhang. To install any hood, remove the factory-installed roof edge screws and keep them for re-use.

5.3.1 Outside Air Hood

Remove and save the screws in the roof panel overhang above the EA hood.

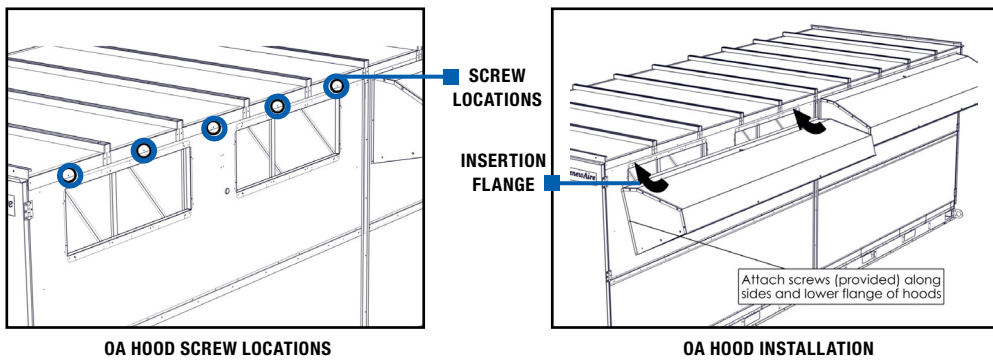


FIGURE 5.3.0 OUTSIDE AIR HOOD INSTALLATION

Slide the top flange of the OA air hood beneath the roof panel overhang. Reinstall the screws in the roof edge and then install screws along the sides and lower edge of each hood.

5.3.2 Exhaust Air Hoods

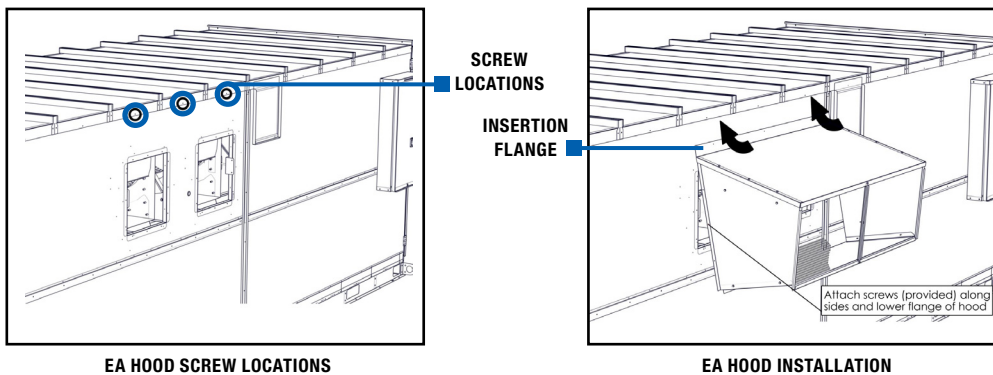


FIGURE 5.3.1 EXHAUST AIR HOOD INSTALLATION

Slide the top flange of the EA air hood beneath the roof panel overhang. Reinstall the screws in the roof edge and then install screws along the sides and lower edge of each hood.

### 5.4 OPTIONAL SPRING ISOLATOR ADJUSTMENT

Neoprene vibration isolators come standard but can be upgraded to spring vibration isolators.

Spring-type vibration isolators can optionally be used in LE model ERVs. Four isolators are installed on each motor and blower sled assembly. Each isolator has a support disc that is threaded and will move up or down on the threaded bolt. The up or down movement determines the upward force on the sled. With age, the supporting springs may require adjustment by repositioning the support disc.

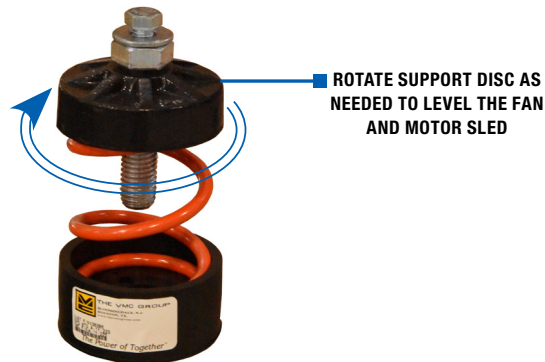


FIGURE 5.4.0 TYPICAL SPRING-TYPE VIBRATION ISOLATOR

### 5.5 ELECTRICAL REQUIREMENTS

Electrical Options and Ratings are identified on the Unit Label (located near electrical box). Find the complete Unit Model Number in the lower left corner of the Unit Label.

**⚠ CAUTION**

Before bringing power to the unit check unit nameplate to confirm it matches the voltage and phase of the power you are supplying. Remember that your field connections need to be accessible for inspection.

**⚠ CAUTION**

Do not remove or disable the wiring interconnection between the Overload Relays and the Contactors. Without this inter-connection the motor(s) will not be protected against overload.

#### 5.5.1 Factory-Recommended Electric Service Entry

Knockouts are provided in the bottom of the E-box for entry of high-voltage power supply wiring. Install the wiring in accordance with local codes and provide strain relief at the E-box opening. Wiring is then terminated on the top of the disconnect switch.

Low-voltage control wiring is to enter the E-box through the knockout in the bottom of the E-box. Provide strain relief as needed.

High-voltage supply wiring is to be connected on the top side of the disconnect switch. See image below.

**⚠ WARNING**

**ARC FLASH AND ELECTRIC SHOCK HAZARD**

Arc flash and electric shock hazard. Disconnect all electric power supplies, verify with a voltmeter that electric power is off and wear protective equipment per NFPA 70E before working within electric control enclosure. Failure to comply can cause serious injury or death.

Customer must provide earth ground to unit, per NEC, CEC and local codes, as applicable.

Before proceeding with installation, read all instructions, verifying that all the parts are included and check the nameplate to be sure the voltage matches available utility power.

The line side of the disconnect switch contains live high-voltage.

The only way to ensure that there is NO voltage inside the unit is to install and open a remote disconnect switch and verify that power is off with a volt meter. Refer to unit electrical schematic. Follow all local codes.

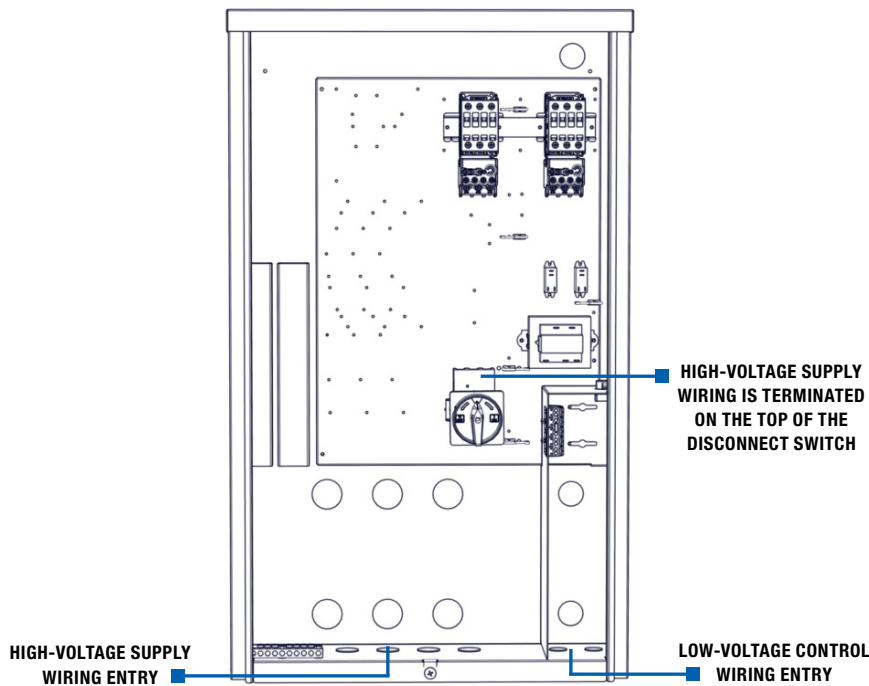


FIGURE 5.5.0 E-BOX WIRING ENTRY POINTS

5.5.2 Low Voltage Control System

This ERV is provided with a Class II 24 VAC power supply system that operates the unit’s contactor(s). The ERV’s 24 VAC Power Supply can also be used to power the externally-installed controls system: up to 8VA of power is available.

The unit’s power supply system includes isolation relay(s) so you can use external controls whose contact ratings are as low as 50 mA (1.2 VA). Also, it is possible to operate the isolation relays with 24 VAC power from an external source (with proper wiring connections).

A built-in circuit-breaker prevents damage to the transformer and other low-voltage components in the event of a short-circuit or overload. In extreme cases, the transformer itself is designed to fail safely.

Specifications:

- Nominal Output Voltage under load: 24 VAC
- Typical Output Voltage at no load: 29–31V
- Minimum contact rating for connected control device: 50 mA (1.2 VA)
- Circuit Breaker Trip Point: 3A

**NOTICE**

If primary-side voltage is 230 VAC, move black primary-side lead from transformer’s “208 V” terminal to the transformer’s terminal marked “240 V” (“230 V” in some units). Do not move the black primary-side lead that is connected to the transformer’s “COM” terminal.

**⚠ CAUTION**

Be careful if the external control system provides 24 VAC power at its control output: make sure blue and red leads are separately capped and not connected to any other wires.

**⚠ CAUTION**

1. Connect only to components intended for use with 24 VAC power.
2. Do not undersize the low-voltage wires connected to this device. Observe the wire length and gauge limits indicated in this manual.
3. Do not overload this unit's 24 VAC power supply system. Confirm that the power requirements of devices you connect to this power supply system do not exceed 8 VA in total.
4. If an external source of 24 VAC power is used to control the unit, consult the wiring schematics and connect the external power only to the specified terminals in order to avoid damaging the unit or external controls. Connect only CLASS II power to the control terminals of this unit.
5. Unit is not equipped to receive analog signals (such as 1–10 vdc or 4–20 mA).

5.5.3 How to Reset the 24 VAC Circuit Breaker

If the transformer is subjected to an excessive load or a short circuit, the circuit breaker will trip to prevent the failure of the transformer. When it trips the circuit breaker's button pops up. Shut off the primary-side power to the unit, and remove the excessive load or the short. The circuit breaker can be reset about fifteen seconds after it trips by pressing in the button.

5.5.4 Limits of Power Output

If limits on wire gauge and length are observed, you may connect control devices that draw up to 8 VA to the blue and red wires. More than one device can be connected as long as total steady-state load does not exceed 8 VA.

Wire Gauge	#22	#20	#18	#16	#14	#12
Circuit Length	100'	150'	250'	400'	700'	1000'

"Circuit Length" is distance from ERV to Control Device.

Observe these limits to wire length and gauge in order to ensure reliable operation of the control system.

5.5 WIRING SCHEMATICS

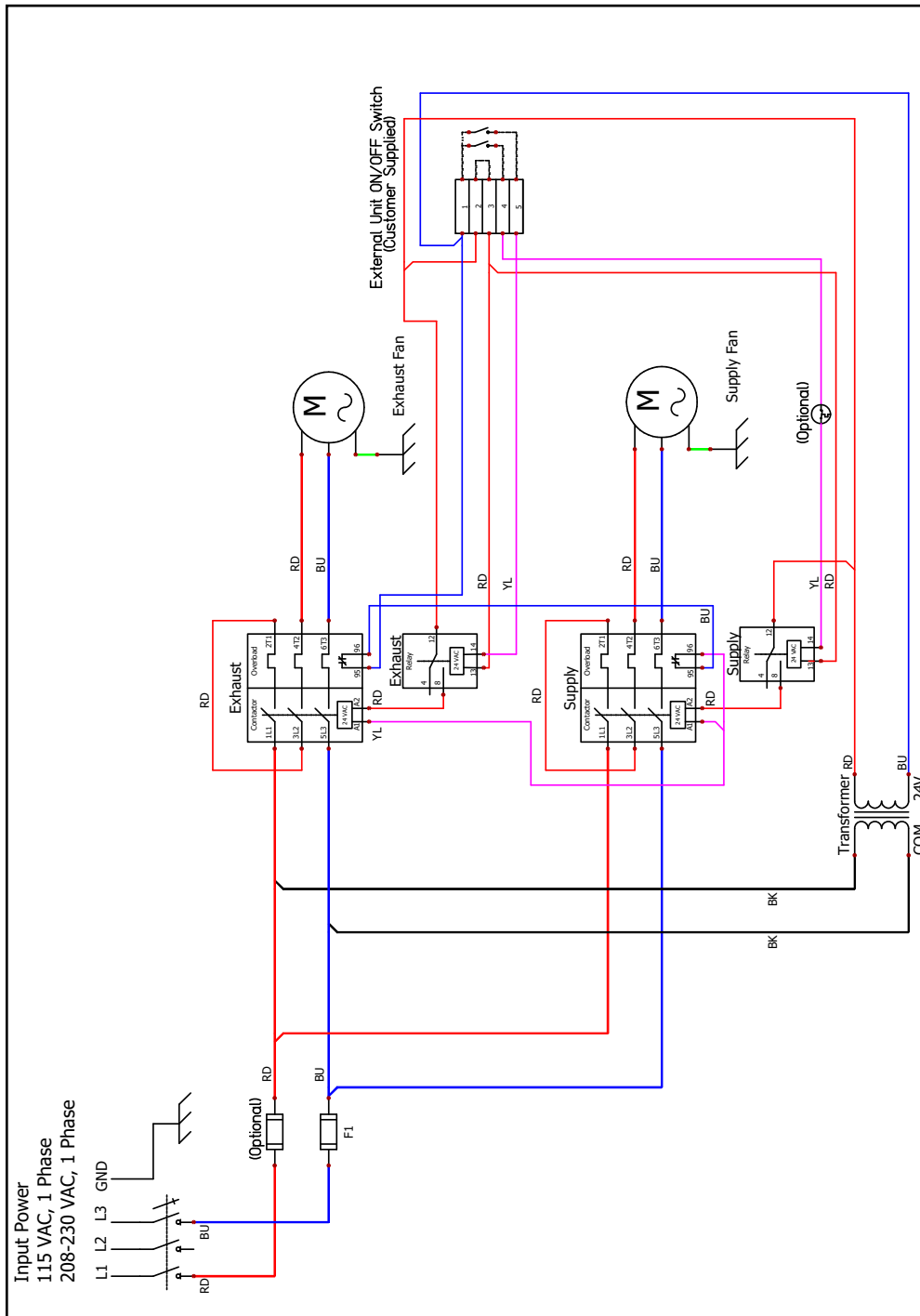


FIGURE 5.5.0 GENERIC SINGLE-PHASE WIRING SCHEMATIC, STANDARD

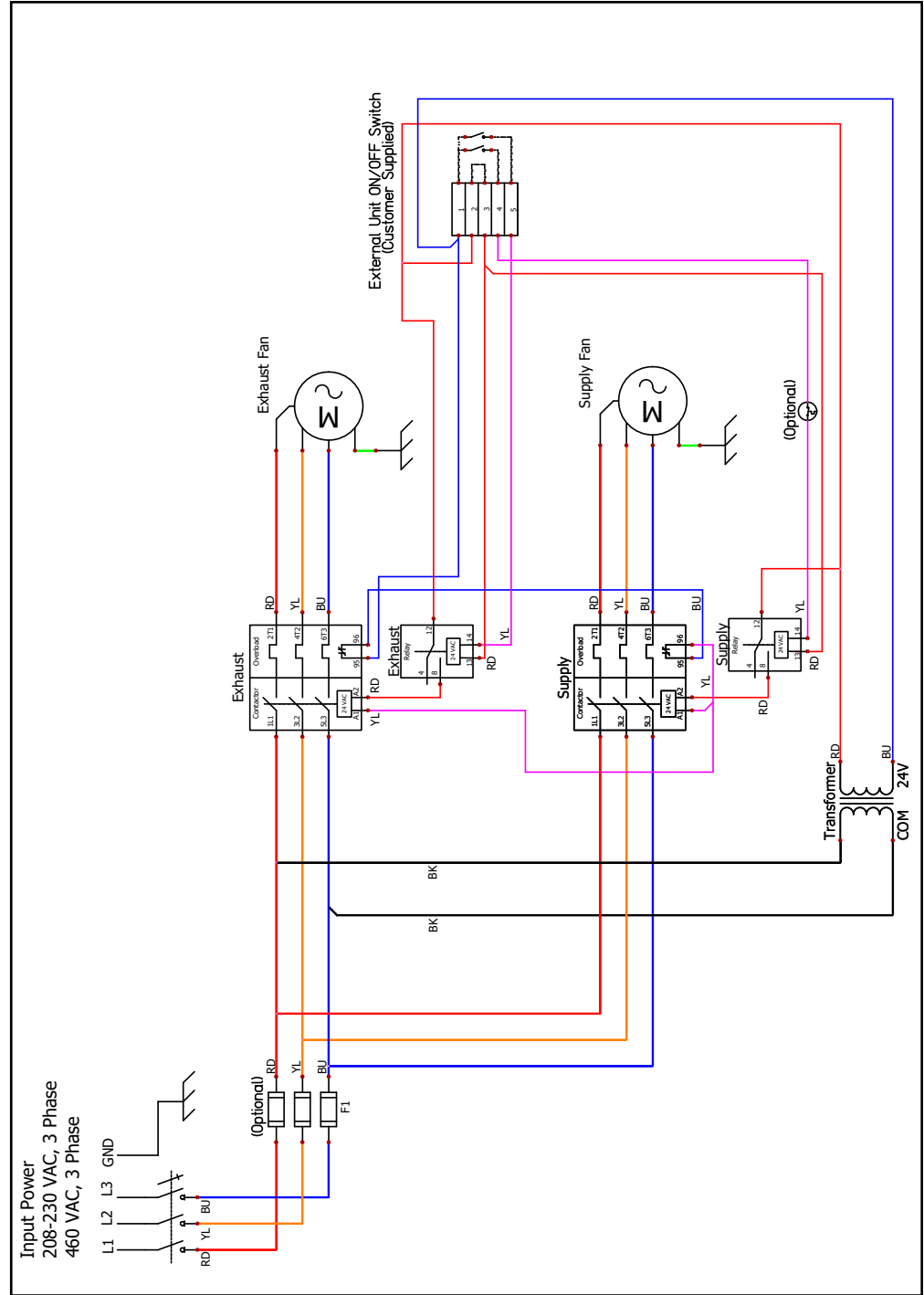


FIGURE 5.5.1 GENERIC THREE-PHASE WIRING SCHEMATIC, STANDARD

## 5.6 EXTERNAL CONTROL CONNECTIONS

### 5.6.1 Single 2-Wire Control, Unpowered

See Figure 5.6.0 if the control requires no power from the ERV and acts as a simple ON/OFF switch. The control must not supply any power to the ERV.

- Install jumper (provided) between terminals 2 and 3.
- Connect the control's contacts to terminals 1 and 4 to operate the isolation relays for OA/SA blower.
- Install jumper between terminals 4 and 5 to operate the ERV's isolation relays for the RA/EA blower.

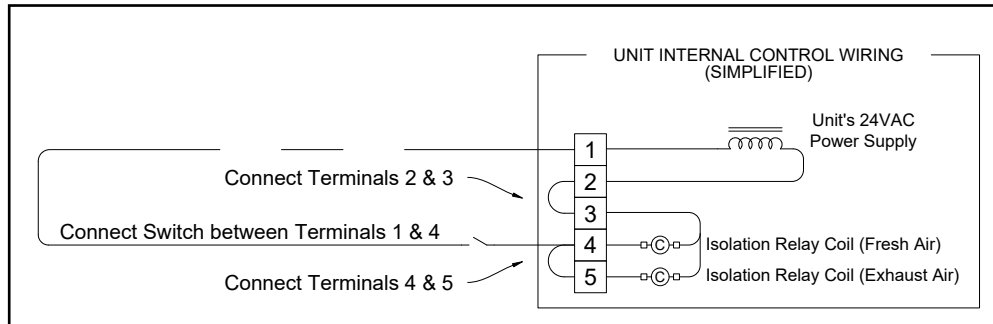


FIGURE 5.6.0 SINGLE 2-WIRE CONTROL, UNPOWERED

### 5.6.2 Single 2-Wire Control, Separate Power

Use the schematic shown in Section 5.6 if the control is on a separate power supply with no power present at control output.

### 5.6.3 Control Sending 24 VAC "ON" Signal

See Figure 5.6.1 if a 24 VAC "ON" signal is to be sent from an external power source to the ERV.

- Verify that a jumper is NOT installed between terminals 2 and 3.
- 24 VAC can be safely applied to terminals 3 and 4 to operate the ERV's isolation relay for the OA/SA blower.
- Install a jumper (provided) between terminals 4 and 5 to operate the ERV's isolation relay for the RA/EA blower.
- Supply only 24 VAC (not VDC) from a Class II power source.

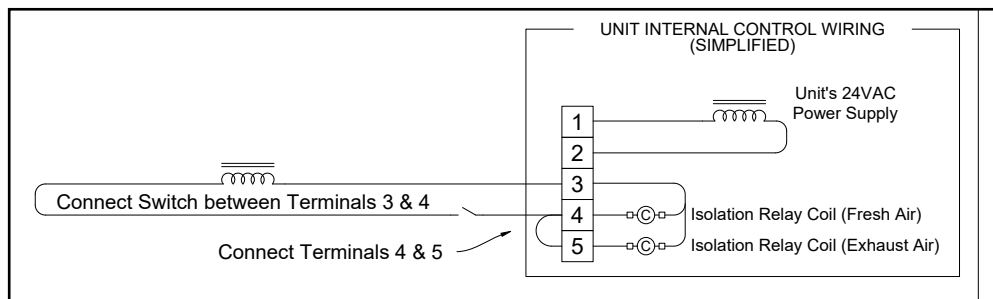


FIGURE 5.6.1 24 VAC FROM EXTERNAL SOURCE

### 5.6.4 External Control Using ERV Power Supply

See Figure 5.6.2 if external control is to be applied using 24 VAC from the ERV power supply.

- External control system must not draw more than 8 VA.
- Install jumper (provided) between terminals 2 and 3.
- Connect the switched output of the control to terminal 4 to operate the ERV's isolation relay for the OA/SA blower.
- Install jumper between terminals 4 and 5 to operate the ERV's isolation relay for the RA/EA blower.

**NOTE:** The simplified schematics below show only the relevant portions of the low-voltage control circuit in the ERV unit and representational external control approaches. See the complete unit schematics above.

**CAUTION**  
Make sure the control provides no voltage or current at its output terminals.

**CAUTION**  
Supply only 24 VAC (not VDC) from a Class II Power Source.

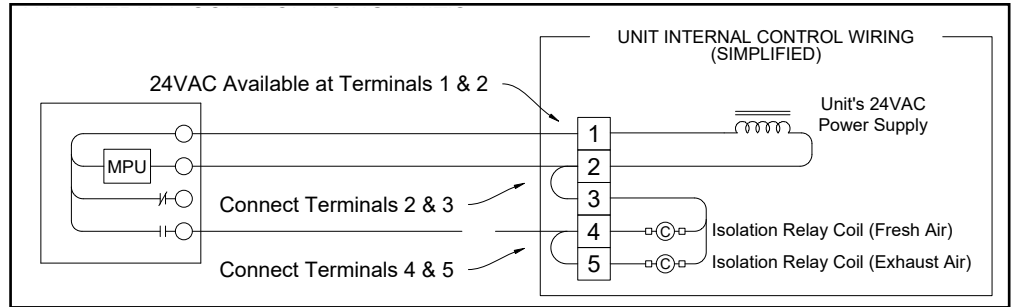


FIGURE 5.6.2 EXTERNAL CONTROL USING ERV 24 VAC

5.6.5 Control with 2 Non-Powered Relay Contacts

See Figure 5.6.3 if the external control system provides no voltage or current at its output contacts.

- Install jumper between terminals 2 and 3.
- Connect one side of each of the output contacts to terminal 1.
- Connect the other side of the output contact to terminal 4 in order to control the SA blower.
- Connect the other side of the output contact to terminal 5 in order to control the EA blower.

**CAUTION**  
External control system should not draw more than 8 VA.

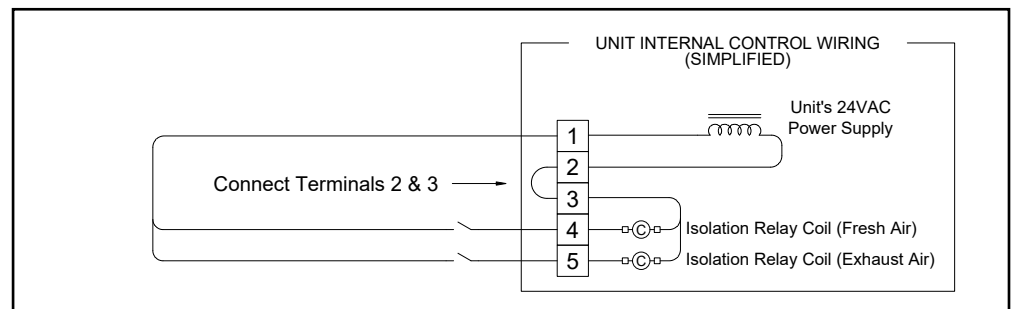


FIGURE 5.6.3 CONTROL WITH 2 NON-POWERED RELAY CONTACTS

5.6.6 Control with 2 "ON" Signals, External Power

See Figure 5.6.4 if the controller is sending two 24 VAC "ON" signals from an external power source.

- Verify there is NO jumper between terminals 2 and 3.
- Apply one 24 VAC signal to terminals 3 and 4 to operate the isolation relay for the SA blower.
- Apply the second 24 VAC signal to terminals 3 and 5 to operate the isolation relay for the EA blower.
- Verify that the polarity of each wire connected to terminal 3 is the same.

**CAUTION**  
Supply only 24 VAC (not VDC) from a Class II Power Source.

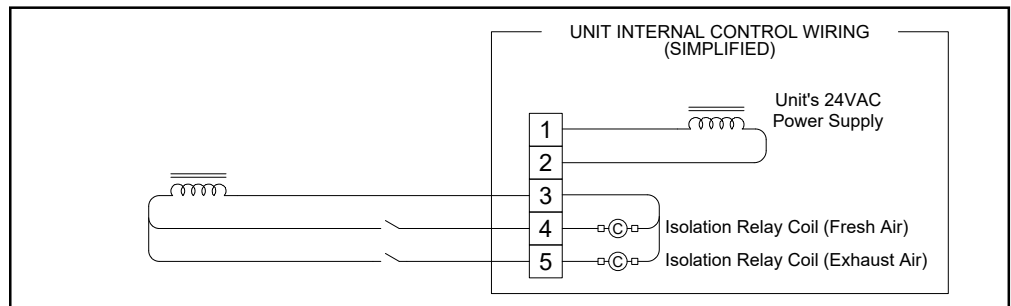


FIGURE 5.6.4 CONTROL WITH 2 "ON" SIGNALS, EXTERNAL POWER

## 5.7 QUICK-START FOR TESTING CORRECT 3PH WIRING

All units that run on 3 phase power should be test-run immediately after high voltage wiring connections are made. This will verify that the three phases are properly connected, that the dampers will open and close properly and the fans are working properly.

For purposes of testing correct phase connections, the internal 24 VAC power supply will be used to power-up the fans and all external control devices will be disabled, when applicable.

## 6.0 UNIT OPERATION

### 6.1 PRINCIPLE OF OPERATION

The LE5XRT has one basic purpose: to exhaust air from a structure and to bring fresh air into the space and exhaust contaminated air while transferring sensible and latent energy to reduce cooling and heating load.

The LE5XRT is a very simple device, and will accomplish this purpose as long as the blowers are able to move air through the enthalpic core.

### 6.2 PRE-STARTUP

#### 6.2.1 Verify Voltages

Using a voltmeter, test the input voltages as supplied to the disconnect switch. Refer to Digit 13 of the unit Configuration Code to find the rated voltage. The supplied voltage must be within +/- 10% of the rated voltage.

#### 6.2.2 Verify Transformer Wiring

Units with 230 VAC power source are shipped with the transformer wired for 208 VAC. If the unit is receiving 230 VAC, make sure the black primary-side wire on the transformer's 208V terminal has been moved to the 230V terminal.

#### 6.2.3 Inspect Filters

Filters must be installed prior to fan start-up. Filters must be clean and butted tightly against each other, allowing no air circulation around them.

#### 6.2.4 Inspect Foam Gasketing

Inspect the gasketing to make sure there are no gaps allowing air movement around the cores or filters.

#### 6.2.5 Inspect Motor Vibration Isolators

The optional spring-type motor vibration isolators are adjustable in height. The height adjustment is for holding the fan assembly sled at a uniform height. Verify that the fan sled height is uniform at all the spring-loaded vibration isolators if they are present.

#### 6.2.6 Inspect Belts and Verify Sheave Alignment

Prior to shipment from the factory, sheaves are carefully aligned and belts are tensioned. Inspect the motor mount to verify that it did not shift during shipment of the unit. Verify that belts are still properly tensioned and that they track correctly in the sheaves.

#### 6.2.7 Inspect Fans

Prior to start-up, the fans should be rotated by hand to make sure that the impeller is not rubbing anywhere and that they turn freely.

#### 6.2.8 Inspect and Clean the Cabinet Interior

During the construction and installation phases of a project, dust, dirt and debris will often accumulate inside a unit. Thoroughly clean the inside of the unit by vacuuming and/or wiping metal surfaces with a damp rag.



**NOTE:** Any changes to unit low-voltage wiring should be made with the disconnect switch in the OFF position.



**NOTE:** When installing temporary jumpers on the low-voltage terminal strip, use 18 gauge or larger wire.

### 6.2.9 Inspect Ductwork Connections

Ducts attached to the ERV must be firmly attached, sealed and supported in accordance with installation instructions and SMACNA guidelines.

## 6.3 UNIT STARTUP

### 6.3.1 Fixed-Speed Units

Most fixed-speed units do not have any external controlling signals and only require turning on the disconnect switch, located on the E-Box. When the disconnect switch is turned ON, any dampers will first move into their correct operating positions and then power is supplied to the motor contactors, causing the fans to run.

Some fixed-speed units are wired to receive an actuating signal from an external source. If there is an external actuating signal source, verify the type of signal and that it is wired according to the low-voltage wiring diagrams found in Section 5.6 of this manual. Turn on the disconnect switch and then turn ON the actuating device. After any dampers have moved into their correct positions, power is then applied to the motor contactors and the fans will begin running.

### IMPORTANT

It is important to balance the airflows after the unit is operational and all ductwork has been installed. Balancing the airflows is typically required by state and/or local codes, and is often specified by the HVAC design engineer.

Optimum efficiency of the enthalpic cores is achieved when the airstreams are properly balanced.

## 6.4 BALANCING AIRFLOW

During the construction and installation phases of a project, dust, dirt and debris will often accumulate inside a unit. Thoroughly clean the inside of the unit by vacuuming and/or wiping metal surfaces with a damp rag.

All HVAC installations are governed by local and state building codes, some of which include specific requirements for balancing of airflows. In addition, the HVAC design engineer typically includes a specification for balancing of airflows. If there is a conflict between the specification sources, consult the HVAC design engineer.

A frequent requirement is for the airstreams to be perfectly balanced between Supply Air supply and Exhaust Air discharge. In practice, it is generally preferable to leave a slight imbalance in the airflows, with the Exhaust Air set for slightly less than Supply Air intake, producing a slight positive pressure within the Occupied Space. The reason for doing this is to reduce air infiltration, which is untempered air. Having an imbalance in the airstreams results in slightly lower efficiency in the energy transfer in the enthalpic cores, but it is made up for by the reduction in air infiltration. **Whenever airstreams are adjusted for an imbalance, the imbalance should be no more than 5%.** Each job site is different and equipment requirements will vary. Example: there may be a water heater that is not ducted to the outside and therefore consumes and discharges large amounts of building air.

The process of balancing airflows is accomplished after all ductwork has been installed and examined for compliance to SMACNA guidelines. Improperly designed and installed ductwork will cause turbulence in the airstreams and restrictions in airflow, all of which will lower the operating efficiency of the HVAC system.

All airflow adjustments are dependent on taking accurate measurements of actual airflow by means of a manometer in the test ports on the unit. For some units, digital controls may have been installed that incorporate airflow sensors and it will not be necessary to take manometer readings. For further information on using the information from an integrated commercial controller, see the manual provided with the controller.



**NOTE:** ERV airflows are to be balanced after all ductwork is installed. Balancing of airflows is typically required by local or state building codes or by the HVAC design engineer.

6.4.1 All Units Without Integrated Premium Controls

For all units without integrated premium controls, manometer readings are taken and then the adjustable sheaves on the motors are adjusted to reset fan speeds.

Equipment Required

- A magnehelic gauge or other device capable of measuring 0–1.0 in. water of differential pressure.
- 2 pieces of natural rubber latex tubing, 1/8" ID, 1/16" Wall works the best.

Procedure:

The individual differential static pressures (DSP) can be measured using the installed pressure ports located in the front of the units core access doors.

- To read SCFM of Supply Air (SA) install the “high” pressure side (+) of your measuring device to the Outside Air (OA) port and the “low” pressure side (-) to the Supply Air (SA) port.
- To read SCFM of Return Air (RA) install the “high” pressure side (+) of your measuring device to the Return Air (RA) port and the “low” pressure side (-) to the Exhaust Air (EA) port.
- Use the reading displayed on your measurement device to cross reference the CFM output using the conversion chart.

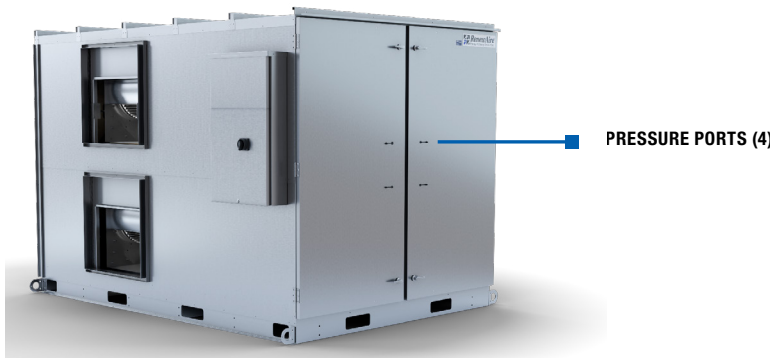


FIGURE 6.4.0 PRESSURE PORT LOCATIONS (TYP)

**NOTE:** The tubing should extend in the pressure port approx. 1".

**NOTE:** These ports have been carefully located on the unit as to give you the most accurate airflow measurement. Do not relocate pressure ports.

DIFFERENTIAL STATIC ACROSS CORE DSP VS. CFM											
LE5X	DP (H <sub>2</sub> O)	DSP	0.20	0.30	0.40	0.50	0.60	0.70	0.80	0.90	1.00
	Airflow	CFM	1252	1877	2503	3129	3755	4381	5006	5632	6258

**CAUTION**  
The proper operating airflow range for this model is 1250–5500 CFM.

6.4.2 LE5X Filter Pressure Drop

LE5X Airflow (CFM)	1250	1500	2000	2500	3000	3500	4000	4500	5000	5500
2" MERV 8	0.03	0.04	0.06	0.07	0.09	0.11	0.12	0.14	0.16	0.18
2" MERV 13	0.04	0.05	0.07	0.09	0.11	0.13	0.15	0.18	0.20	0.23
4" MERV 8	0.01	0.01	0.02	0.02	0.03	0.04	0.06	0.07	0.08	0.09
4" MERV 13	0.03	0.04	0.06	0.07	0.09	0.10	0.12	0.15	0.17	0.19

NOTE: Pressure drop of clean 2" MERV 8 filters is included in the Unit Performance Ratings

### 6.4.3 Sheave Adjustment

All fan motors that are not controlled by a VFD are equipped with an adjustable sheave. These adjustable sheaves must be re-set in the field to attain optimum performance of the ERV. This adjustment is to be done after all ductwork is connected.

Adjustable sheaves are held in position on the drive motor shaft by a set screw that is normally hidden until the belt(s) is removed. One flange is fixed-position, the others are adjustable-position. The adjustable flanges of the sheave have a set screw located in an exposed position on the collar of the flange.

To adjust the flanges:

- Remove the drive belt(s)
- Loosen the set screws on both adjustable flanges
- IN HALF-TURN INCREMENTS, turn the adjustable flanges in or out the same number of turns
- Tighten the set screws on the adjustable flanges, making certain that the set screws are landing on the machined “flat” on the sheave.

### 6.4.4 Variable-Speed Units

The motors on variable-speed units also have adjustable sheaves, but they are not to be adjusted. Speed control of variable-speed units is accomplished by adjusting either the VFDs (if present) or the Integrated Commercial Controls (if present). For more information on adjusting VFDs, see the manual that was shipped with the unit. For more information on adjusting speeds via commercial controls, see the Integrated Commercial Controller manual that was shipped with the unit.

## 6.5 NORMAL OPERATION

Normal operation of the LE5XRT units involves continuous running of the fans, shutting down only for periodic maintenance. Various optional control devices may modulate the speed of the fans or may shut down one or more fans, but the fans always have power and are ready to run continuously.

Continuous operation is acceptable in virtually all conditions and the unit will not be damaged as long as air flow occurs. If filters become completely blocked due to lack of maintenance, airflow will be blocked and the blower motors may overheat.

Continuous operation during extreme cold weather may lead to frost.

## 6.6 EXTREME COLD OPERATION

LE5XRT units are capable of operating without internal frosting at temperatures down to -10°F, with indoor humidity below 40%. The units can operate under more severe conditions occasionally with little or no impact on their performance. At lower humidities, they can operate at still lower outside temperatures without freezing the enthalpic cores.

Some condensation or even frost may form on the outside of the unit or drip off the cabinet during very cold conditions, especially if the unit runs continuously. Exterior condensation during extreme cold conditions can be reduced or prevented by periodically cycling the unit OFF for several minutes to allow the cabinet to warm up.

## 7.0 UNIT MAINTENANCE

RenewAire ERVs are built to operate with minimal maintenance. After unit commissioning, the primary areas of attention are the air filters, periodic lubrication of the fan motors and annual vacuuming of the enthalpic cores.

### 7.1 MAINTENANCE 24 HRS. AFTER START-UP

24 hours after unit start-up:

- Readjust the tension on the motor drive belts.
- In new installations, check the air filters since they will often collect dust, dirt and debris at the time of start-up.

### 7.2 MAINTENANCE 30 DAYS AFTER START-UP

After 30 days of operation:

- Tighten all electrical connections, paying special attention to VFD wiring (if present).
- Readjust the tension on motor drive belts.
- Check the air filters as part of the normal monthly maintenance.

### 7.3 MAINTENANCE SCHEDULE

Experience on the part of the service person is the most important issue in establishing a maintenance schedule. There will be times of the year when frequent inspection of the filters will be required, such as spring and summer when there may be pollen, dust, dirt or debris from budding trees and bushes that can clog the filters. Also see Section 7.7 Maintenance Records in this manual.

### 7.4 FILTERS

Inspection and replacement of air filters is the most frequent maintenance issue. For units that do not have filter air pressure differential sensors, filters must be visually inspected monthly, as a minimum. If a filter looks discolored or dirty, REPLACE IT! When installing new filters, DO NOT USE filter sprays. Residue from the filter spray could migrate to the enthalpic core media and damage the cores.

For units that have filter air pressure differential sensors, a dirty filter alarm will occur on the connected alarm or control device.

Filter cleanliness and replacement is the most important and frequent maintenance issue. Dirty filters will cause an immediate reduction in operating efficiency of the ERV. Normally, filters should be inspected and changed when they are dirty. Paper filters are not to be cleaned, they are to be replaced. In general, if a filter looks dirty, replace it. The best indication of dirty filters is to check the pressure drop across the filter banks with an optional filter monitor. If it is not possible to check the pressure drop, the rule of thumb would be to change the filters every two months.

### 7.5 FAN MOTORS

The most important issues in motor maintenance are:

- Belt condition and belt tension
- Sheave condition
- Motor cleanliness
- Motor lubrication

#### 7.5.1 Belt Tension

Premature or frequent belt failures can be caused by improper belt tension (either too loose or too tight) or misaligned sheaves. Abnormally high belt tension or drive misalignment will cause excessive bearing loads and may result in failure of the fan and/or motor bearings. Conversely, loose belts will cause squealing on start-up, excessive belt flutter, slippage and overheated sheaves. Both loose and tight belts can cause fan vibration.

#### ⚠ WARNING

Danger of injury if unit starts unexpectedly. Switch power off at service disconnect. Lock-out/tag-out the disconnect.

#### ⚠ WARNING

Danger of Electrical Shock when servicing an installed unit.

ALWAYS DISCONNECT POWER SOURCE BEFORE SERVICING! More than one disconnect switch may be required.

Proper Wiring Size Selection and Wiring Installation are the Responsibility of the Electrical Contractor.

Do not pry belts on or off the sheave. Loosen belt tension until the belts can be removed by simply lifting the belts off the sheaves. After replacing belts, ensure that slack in each belt is on the same side of the drive. Belt dressing should never be used.

The proper belt setting is the lowest tension at which the belts will not slip under peak load operation. For initial tensioning, set the belt deflection at 1/64" for each inch of belt span (measured half-way between sheave centers). Example: If the belt span is 16", the belt deflection should be 1/64", or 1/4" (using moderate thumb pressure at mid-point of the drive). Check belt tension two times during the first 24 hours of operation and periodically thereafter.

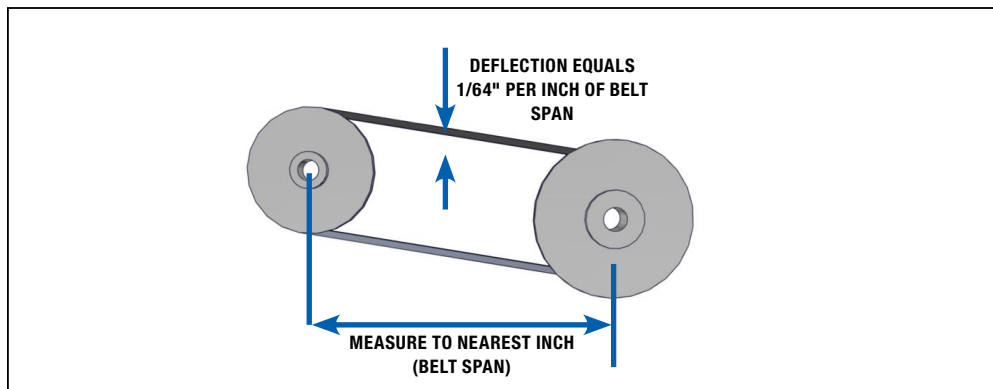


FIGURE 7.5.0 FAN BELT TENSIONING

### 7.5.2 Sheave Condition

Do not install new belts on worn sheaves. If the sheaves have grooves worn in them, they must be replaced before new belts are installed.

### 7.5.3 Motor Cleanliness

Removing dust and grease buildup on the motor housing assists proper cooling. Never wash-down the motor with high pressure spray.

### 7.5.5 Motor Lubrication

High efficiency motors have unique maintenance requirements that vary from motor to motor. Many smaller horsepower motors have sealed bearings that do not require periodic greasing. Larger horsepower motors come equipped with grease fittings. Before greasing any motor, consult the motor manufacturer's web site to determine the correct maintenance and greasing schedule.

## 7.6 PILLOW BLOCKS

LE model ERVs use pillow block bearings to support the fan shaft. Maintenance requirements for pillow blocks depend on a combination of shaft size and shaft RPMs. The fan shaft diameter is typically 1.44".

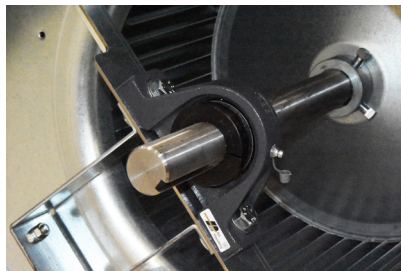


FIGURE 7.5.0 FAN PILLOW BLOCK

**NOTE:** Each motor manufacturer specifies the frequency of maintenance and the amount and type of grease to use on the bearings. Do not mix different types of grease. Check the manufacturer's web site for each specific motor.

To grease pillow blocks, the fan should be at normal operating speed and temperature prior to greasing.

- The recommended interval for greasing of pillow block bearings is 3–6 months, based on 1,000–2,000 hours of operation.
- The recommended grease is Mobil Polyrex. If Mobil Polyrex is not available, use an NGLI#2 grease that is compatible with a lithium thickener, mineral base oil and a temperature range of -10 to +260°F.
- The recommended amount of grease is 2 grams.
- Clean the grease fitting (zerk) before attaching the grease gun.
- Grease slowly and stop when the first sign of grease seepage from the bearing's seals is observed.

Leave a small amount of grease on the zerk as a protective coating.

In all cases, Industry Best Practices should be observed. Maintain a record of every lubrication and the type of lubricant used.

## 7.7 ENTHALPIC CORES

### ⚠ CAUTION

#### Risk of DAMAGE TO ENTHALPIC CORES

Whenever working within the ERV cabinet, protect the enthalpic cores from accidental damage. The core media is subject to damage from dropped tools or other foreign objects.

### 7.7.1 Enthalpic Core Maintenance

The enthalpic core media is a fibrous material that must be kept clean at all times. As a minimum, cores should be cleaned once per year.

- DO NOT WASH OR ALLOW THE ENTHALPIC CORES TO GET WET.
- DO NOT EXPOSE THE ENTHALPIC CORES TO HIGH HEAT OR FLAMES.
- DO NOT DIRECT COMPRESSED AIR AT THE CORE MEDIA.
- DO NOT REMOVE THE ENTHALPIC CORES FROM THE ERV UNLESS NECESSARY.
- USE CAUTION WHEN WORKING AROUND THE ENTHALPIC CORES. DO NOT DROP TOOLS OR OTHER OBJECTS ON THE CORES, DO NOT BUMP OR TWIST THE CORES.

To access enthalpic cores for cleaning, remove the air filters.

To clean enthalpic cores, all exposed surfaces must be vacuumed with an attachment having long, soft bristles. The greatest buildup of dirt and dust will normally be on the leading 1–2 inches of the inlet side (closest to the air filters).

### 7.7.2 Enthalpic Core Removal

Before removing enthalpic cores, switch the main disconnect to OFF. Open the door to the Energy Recovery Module and simply pull each core straight out of its guides.

### 7.7.3 Enthalpic Core Replacement

Cores have foam gasketing on one end of each core. The core should be reinstalled so that the foam gasketing is toward the back of the ERV and the core label is facing toward the front.

### 7.8 PLENUM DIVIDERS

**⚠ CAUTION**

**RISK OF DAMAGE TO PLENUM DIVIDERS**

Whenever working within the ERV cabinet, do not place significant weight on the plenum dividers. They are not intended to be load-bearing.

Inside each ERV, there are two vertical and two horizontal metal panels that separate the plenums. These panels are not intended to be load-bearing. When performing maintenance on the ERV, do not crawl on or place significant weight on these divider panels!

If it is necessary to go inside the ERV cabinet for maintenance purposes, it is recommended that the cores be removed to provide access. The floor of the ERV is reinforced to accept a person's weight.



FIGURE 7.8.0 PLENUM DIVIDER PANELS

### 7.9 FAN/MOTOR REMOVAL

The fan and fan motor are part of an assembly that is mounted on a “sled”, which is then installed in the ERV on vibration isolators. See the Service Parts illustration on the preceding page. Also see photograph below. If it is ever necessary to remove a fan, it may be easier to remove the entire sled from the ERV. For some maintenance issues, it may be easier to remove the enthalpic cores and go inside the ERV.

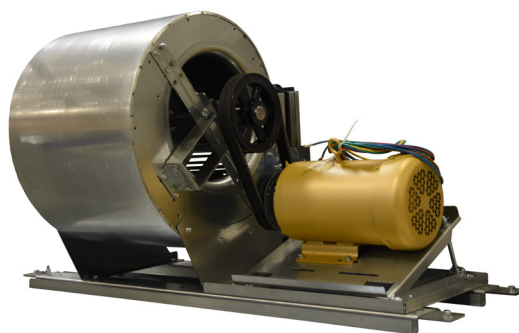


FIGURE 7.9.0 FAN AND MOTOR SLED

### 7.10 FILTER REPLACEMENT PRACTICES

RenewAire has provided a filter replacement tool called a filter extractor hook. See picture below. In addition, the filter spacers have a tab on the ends where a pull cord can be inserted. With a cord installed in the tab holes, it is possible to simply pull the cords and withdraw six filters at once. See image below. When installing the filter spacers, the foam strip is to be placed against the filter.

Note that when new filters are installed, the filter spacers may tend to fall off the end of the filter receiving channels. If this happens, simply install the spacers between the first two filters in from the door, instead of locating them against the access doors.

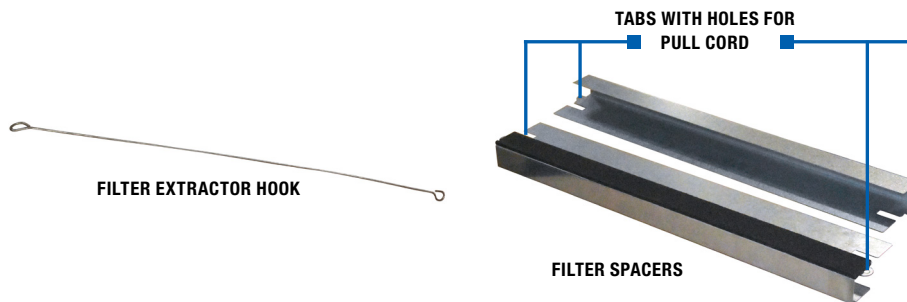


FIGURE 7.10.0 FILTER REPLACEMENT TOOL OPTIONS

If filter thickness is ever changed from 2" to 4" or from 4" to 2" thickness, each of 8 filter receivers will need to be adjusted up or down to accommodate the desired filter thickness. To make this adjustment, remove the second bolt set in from the door on each filter receiver and slide the movable filter receiver up or down against the fixed filter receiver bracket, following the "C" channel paths and replace the positioning bolt set in the proper hole that lines up at the other end of the "C" channel paths. The same filter spacers are used with either 2" or 4" filters.

### 7.11 DOOR LATCH ADJUSTMENT

With age and use, the door gaskets may become compressed and no longer provide a complete seal against air leakage. The door latches can be easily adjusted by changing the position of the swing arm on the inside of the door. See photo below.

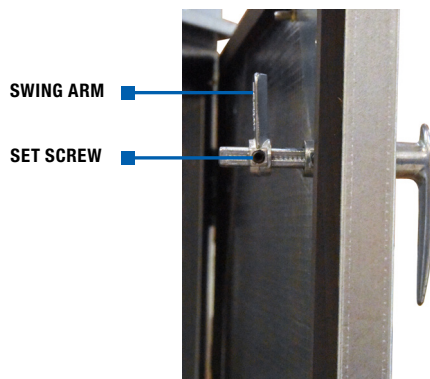




FIGURE 7.11.0 DOOR LATCH ADJUSTMENT

 NOTE: Use only BX-type cogged drive belts.

 NOTE: Low, Medium and High Blower RPM sheave settings overlap allowing some adjustability into lower or higher blower speed zones.

### 7.12 SHEAVE ADJUSTMENT

All fan motors that are not controlled by a VFD are equipped with an adjustable sheave. These adjustable sheaves must be re-set in the field to attain optimum performance of the ERV. This adjustment is to be done after all ductwork is connected.

Adjustable sheaves are held in position on the drive motor shaft by a set screw that is normally hidden until the belt(s) is removed. One flange is fixed-position, the others are adjustable-position. The adjustable flanges of the sheave have a set screw located in an exposed position on the collar of the flange.

To adjust the flanges:

- Remove the drive belt(s)
- Loosen the set screws on both adjustable flanges
- IN HALF-TURN INCREMENTS, turn the adjustable flanges in or out the same number of turns
- Tighten the set screws on the adjustable flanges, making certain that the set screws are landing on the machined “flat” on the sheave.

MOTOR HP	BLOWER SPEED	BLOWER RPM AVAILABLE BY VARIABLE MOTOR SHEAVE ADJUSTMENT											MOTOR SHEAVE	BLOWER SHEAVE
2 HP	Low	633	653	673	694	714	735	755	775	796	817	837	1VL44	BC90
2 HP	Medium	755	775	796	816	837	857	878	898	918	939	959	1VP50	BC90
2 HP	High	878	901	925	949	972	996	1020	1044	1067	1091	1115	1VP50	BC78
3 HP	Low	755	776	796	817	837	858	878	898	918	939	959	1VP50	BC90
3 HP	Medium	878	901	925	949	972	996	1020	1044	1067	1091	1115	1VP50	BC78
3 HP	High	1000	1020	1041	1061	1082	1102	1122	1143	1163	1184	1204	1VP62	BC90
5 HP	Low	878	901	925	949	972	996	1020	1044	1067	1091	1115	2VP50	D4780
5 HP	Medium	1000	1020	1041	1061	1082	1102	1122	1143	1163	1184	1204	2VP62	D4900
5 HP	High	1162	1186	1210	1233	1257	1281	1304	1328	1352	1376	1399	2VP62	D4780

FIGURE 7.13.0 TABLE OF SHEAVE ADJUSTMENTS

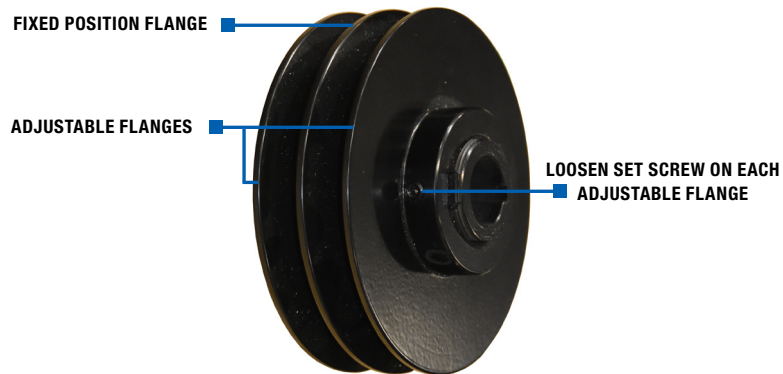


FIGURE 7.12.1 TWO-BELT ADJUSTABLE SHEAVE (TYP)



7.14 SERVICE PARTS

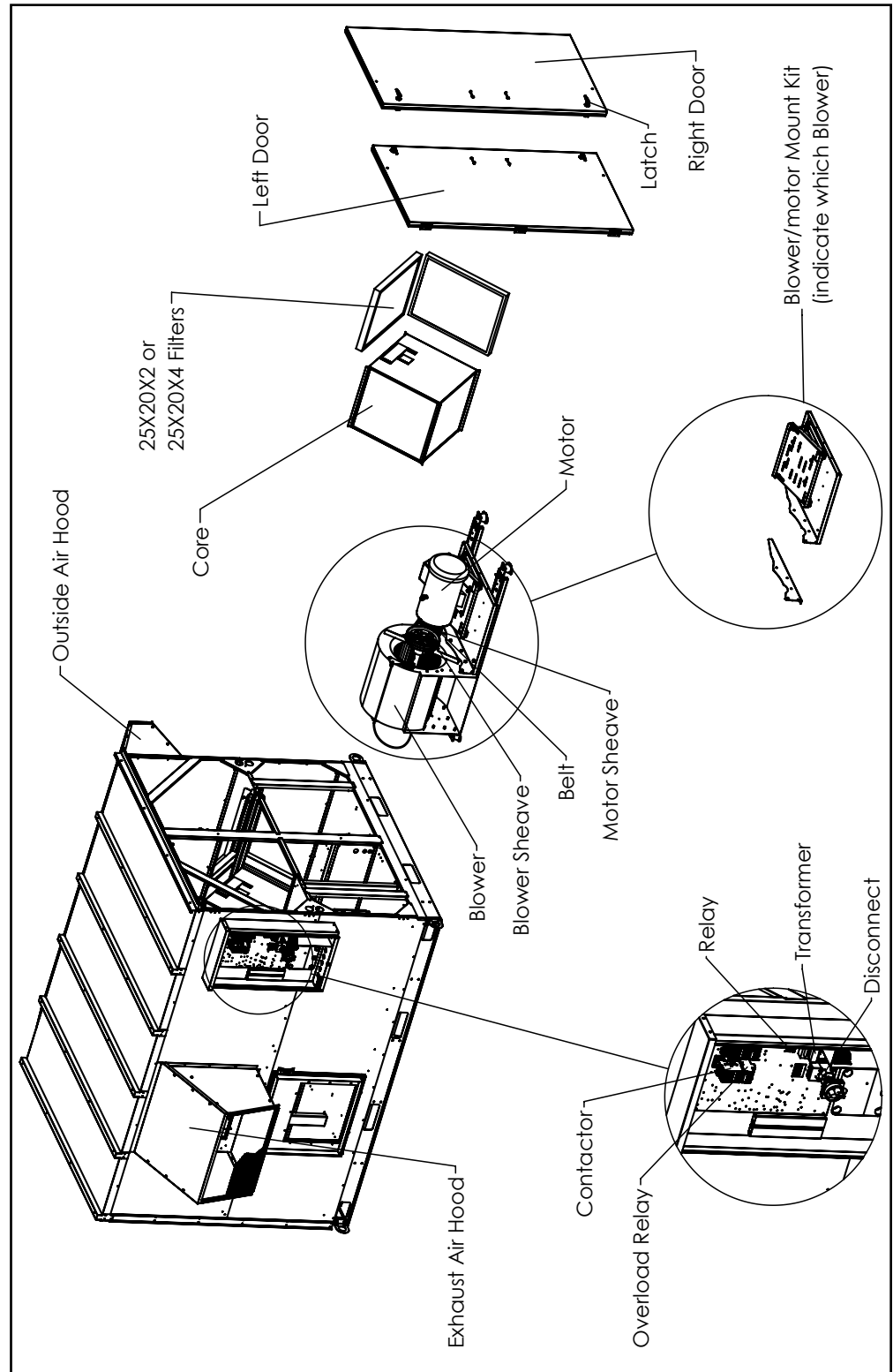


FIGURE 7.14.0 LE5XRT SERVICE PARTS

## 8.0 TROUBLESHOOTING

If problems occur with a RenewAire ERV, the primary resources for trouble-shooting are the unit as-built wiring schematics and the Sequence Of Operation (SOO) for each control scheme.

## 9.0 FACTORY ASSISTANCE

In the unlikely event that you need assistance from the factory for a specific issue, make sure that you have the information called for in the Unit Records page in the Owner Information section of this manual. The person you speak with at the factory will need that information to properly identify the unit and the installed options.

To contact RenewAire Customer Service:

**Call 800-627-4499**

**Email: [RenewAireSupport@RenewAire.com](mailto:RenewAireSupport@RenewAire.com)**

Remember that RenewAire Customer Service can only assist with the products sold by RenewAire, it cannot resolve engineering issues that result from air handling system design by others.



## About RenewAire

For over 40 years, **RenewAire** has been a pioneer in enhancing indoor air quality (IAQ) in commercial and residential buildings of every size. This is achieved while maximizing sustainability through our fifth-generation, static-plate, enthalpic-core **Energy Recovery Ventilators (ERVs)** that optimize energy efficiency, lower capital costs via load reduction and decrease operational expenses by minimizing equipment needs, resulting in significant energy savings. Our ERVs are competitively priced, simple to install, easy to use and maintain and have a quick payback. They also enjoy the industry's best warranty with the lowest claims due to long-term reliability derived from innovative design practices, expert workmanship and **Quick Response Manufacturing (QRM)**.

As the pioneer of static-plate core technology in North America, RenewAire is the largest ERV producer in the USA. We're **committed to sustainable manufacturing** and lessening our environmental footprint, and to that end our Waunakee, WI plant is 100% powered by wind turbines. The facility is also one of the few buildings worldwide to be LEED and Green Globes certified, as well as having achieved ENERGY STAR Building status. In 2010, RenewAire joined the Soler & Palau (S&P) Ventilation Group in order to provide direct access to the latest in energy-efficient air-moving technologies. For more information, visit: [renewaire.com](http://renewaire.com)

201 Raemisch Road | Waunakee, WI | 53597 | 800.627.4499 | [RenewAire.com](http://RenewAire.com)