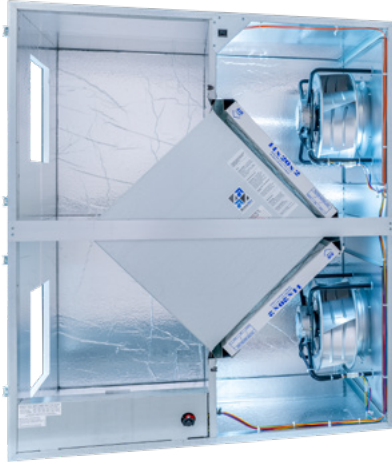


NEW! INDOOR UNIT



Energy recovery core is AHRI Certified®



SPECIFICATIONS

Ventilation Type: Static plate, heat and humidity transfer

Airflow Range: 369–1,621 CFM

AHRI 1060 Certified Core:
One L62-G5 and one L125-G5

Standard Features:
Non-fused disconnect
24VAC transformer/relay package
Cross-core differential pressure ports
Independent blower control

Filters:
Total qty. 4, MERV 8: 14" x 20" x 2" and 16" x 20" x 2"
With Internal Bypass: Total qty. 4, MERV 8: 20" x 20" x 2"

Unit Weight: 309–635 lbs., varies by option(s)

Max. Shipping Dimensions & Weight (on pallet):
H: 70" L x 47" W x 61 1/2" H
585 lbs. (725 lbs. for bypass economizer)

Motor(s): Qty. 2, 480 W ea., Direct drive EC motorized impeller packages (120V/1Ph/60HZ)

Options:

Qty. 2, Direct drive EC motorized impeller packages
770W 208-230V/1Ph/60HZ (Advanced),
2150W 208-230V/3Ph/60HZ (Advanced),
2100W 460V/3Ph/60HZ (Advanced)

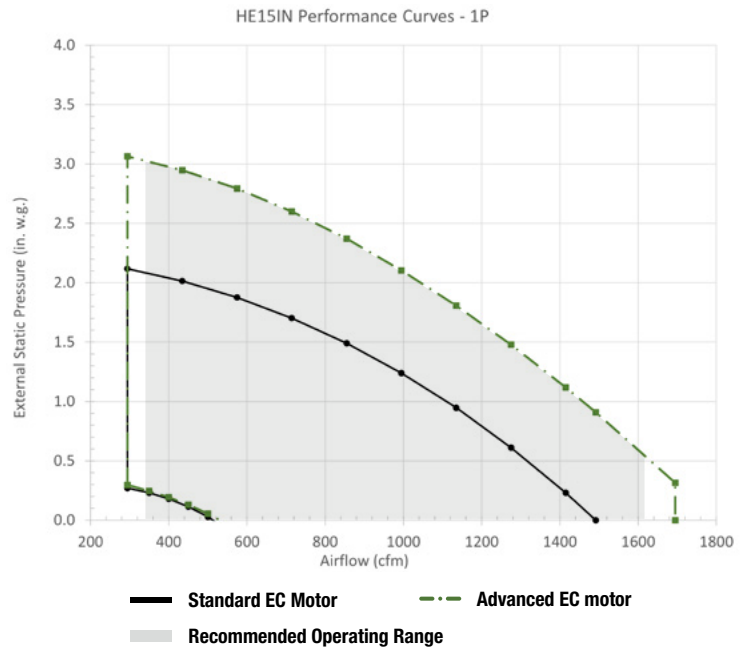
Fused disconnect
Integrated programmable controls: enhanced, premium
Bypass economizer (see DIM drawing):
dry-bulb temperature controls (standard),
enthalpy controls (option)
Class 1 low leakage motorized isolation dampers:
SA, EA or both airstreams
Factory mounted filter alarms: both airstreams
Double wall construction
Exterior paint: white, custom colors

Accessories:

Filters: MERV 13, 2" (shipped loose)
Automatic balancing damper: 4", 5", 6"
Potentiometer speed control: remote installed
Digital time clock: wall mount (TC7D-W),
in exterior enclosure (TC7D-E)
Carbon dioxide sensor/control:
wall mount (CO2-W), duct mount (CO2-D)
IAQ sensor: wall mount (IAQ-W), duct mount (IAQ-D)
Motion occupancy sensor/control:
ceiling mount (MC-C), wall mount (MC-W)
Smoke detector: duct mount (SD-D)
BACnet fan control: wall mount (BACNETFC-W)
Indoor electric duct heater: EK series (1–175 kW)
Indirect gas-fired duct furnace: GH series (50–400 MBH);
installed downstream of any fans
Hanging bracket kit
Hanging spring vibration isolation kit
Duct flange kit: square 16" x 16", 2 flanges

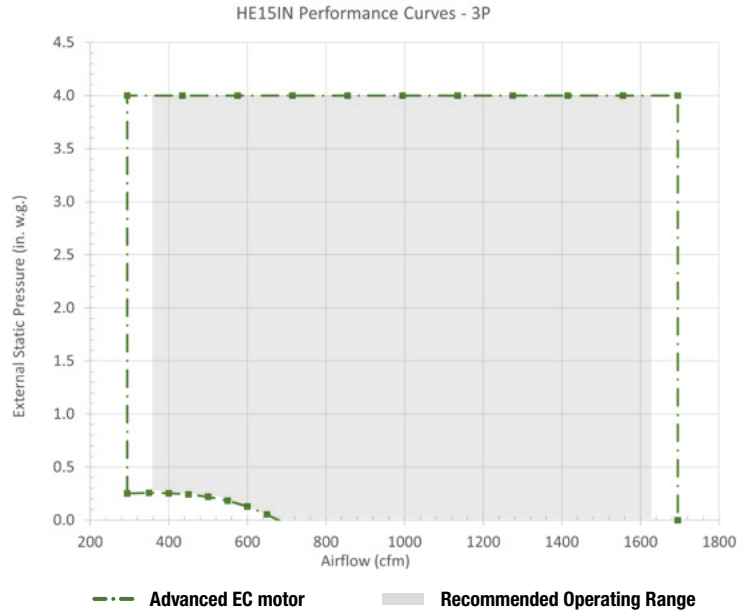
1-PHASE EC MOTOR OPERATING RANGE AND FAN PERFORMANCE

Airflow (CFM)	Standard EC	
	External Static Pressure (Inches Water Column)	Unit Power Consumption (Watts)
HE15IN MOTOR 1P/120V Option		
295	2.12	599
435	2.01	685
575	1.88	764
715	1.70	834
855	1.49	894
995	1.24	942
1135	0.95	975
1275	0.61	992
1415	0.23	991
1492	0.00	982
HE15IN MOTOR 1P/208-230V Option		
295	3.06	913
435	2.95	1007
575	2.79	1096
715	2.60	1178
855	2.37	1250
995	2.11	1310
1135	1.81	1357
1275	1.48	1388
1415	1.12	1401
1492	0.91	1400
1695	0.32	1365
1695	0.00	1258



3-PHASE EC MOTOR OPERATING RANGE AND FAN PERFORMANCE

Airflow (CFM)	Advanced EC	
	External Static Pressure (Inches Water Column)	Unit Power Consumption (Watts)
HE15IN MOTOR 3P/208-230V Option		
295	4.00	1575
435	4.00	1692
575	4.00	1840
715	4.00	2018
855	4.00	2223
995	4.00	2457
1135	4.00	2719
1275	4.00	3010
1415	4.00	3325
1555	4.00	3659
1695	4.00	3995
HE15IN MOTOR 3P/460V Option		
295	4.00	1545
435	4.00	1642
575	4.00	1766
715	4.00	1915
855	4.00	2090
995	4.00	2291
1135	4.00	2521
1275	4.00	2783
1415	4.00	3075
1555	4.00	3392
1695	4.00	3718

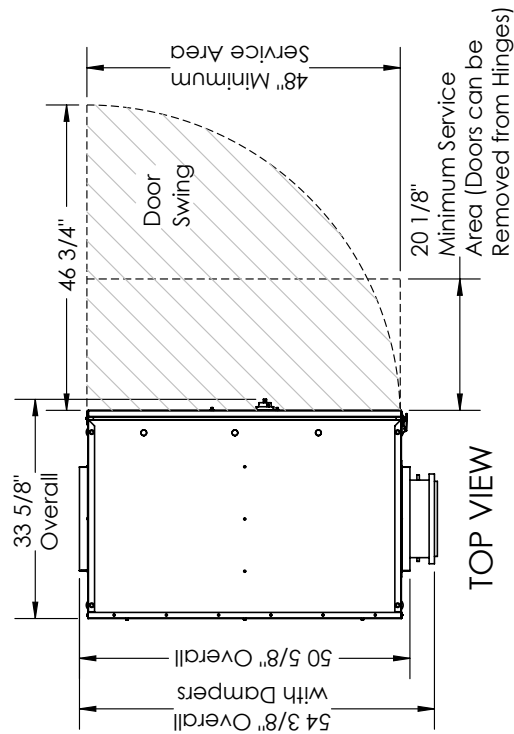


Note: Watts is for the entire unit. Airflow performance include effect of clean, standard filter supplied with unit.

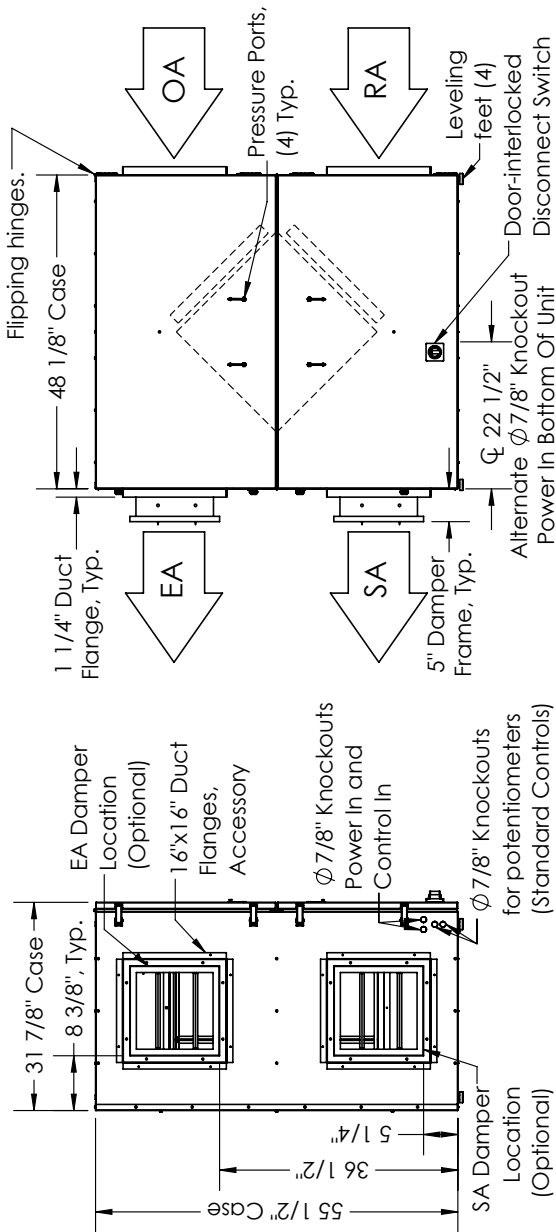
ELECTRICAL DATA

Option	Watts	Volts	Hz	Phase	FLA per motor	Min. Cir. Amps	Max. Overcurrent Protection Device
[EE] Standard	480	120	60	Single	6.7	15.1	20
[AA] Advanced	770	208-230	60	Single	3.4	7.7	15
	2150	208-230	60	Three	5.7	12.8	15
	2100	460	60	Three	2.9	6.5	15

HE15INH ENERGY RECOVERY VENTILATOR



TOP VIEW

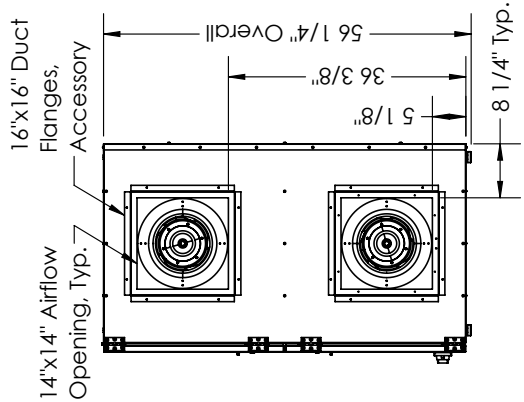


FRONT VIEW

ABBREVIATIONS
 EA: Exhaust Air to Outside
 OA: Outside Air Intake
 RA: Room Air to be Exhausted
 SA: Supply Air to Inside

INSTALLATION ORIENTATION
 Unit may be installed in any orientation.

NOTE
 1. UNLESS OTHERWISE SPECIFIED, DIMENSIONS ARE ROUNDED TO THE NEAREST EIGHTH OF AN INCH.
 2. SPECIFICATIONS MAY BE SUBJECT TO CHANGE WITHOUT NOTICE.



RIGHT VIEW

LEFT VIEW

AIRFLOW CONFIGURATION

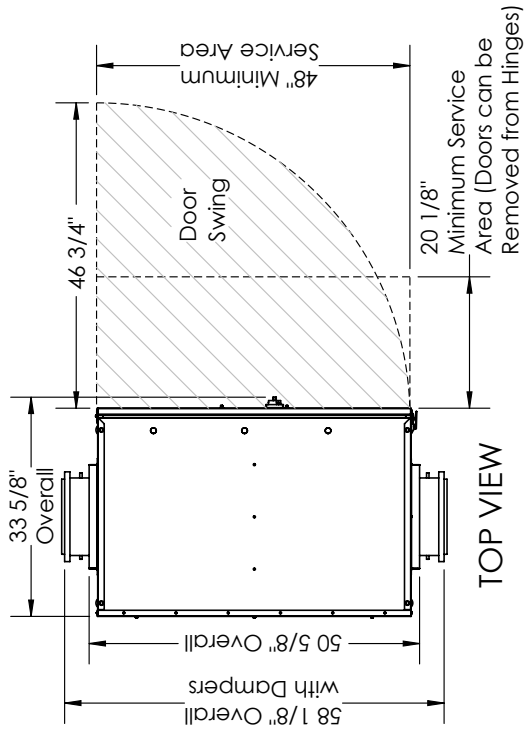
Available as shown in dimension drawing.



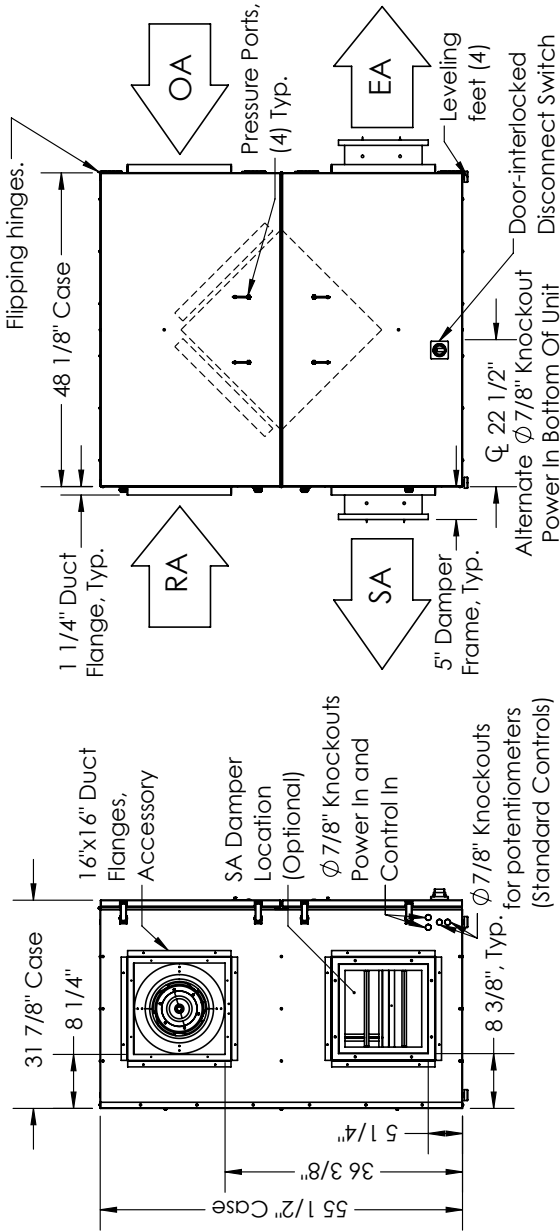
UNIT MOUNTING & APPLICATION

Can be mounted in any orientation. RA/EA airstream can be switched with OA/FA airstream unless certain options are selected. Duct configuration is field convertible.

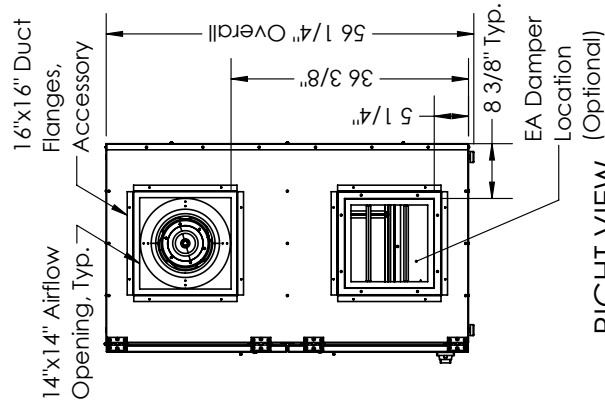
HE15INV ENERGY RECOVERY VENTILATOR



TOP VIEW



FRONT VIEW



RIGHT VIEW (Optional)

ABBREVIATIONS

- EA: Exhaust Air to Outside
- OA: Outside Air Intake
- RA: Room Air to be Exhausted
- SA: Supply Air to Inside

INSTALLATION ORIENTATION

Unit may be installed in any orientation.

NOTE

1. UNLESS OTHERWISE SPECIFIED, DIMENSIONS ARE ROUNDED TO THE NEAREST EIGHTH OF AN INCH.
2. SPECIFICATIONS MAY BE SUBJECT TO CHANGE WITHOUT NOTICE.

AIRFLOW CONFIGURATION

Available as shown in dimension drawing.



UNIT MOUNTING & APPLICATION

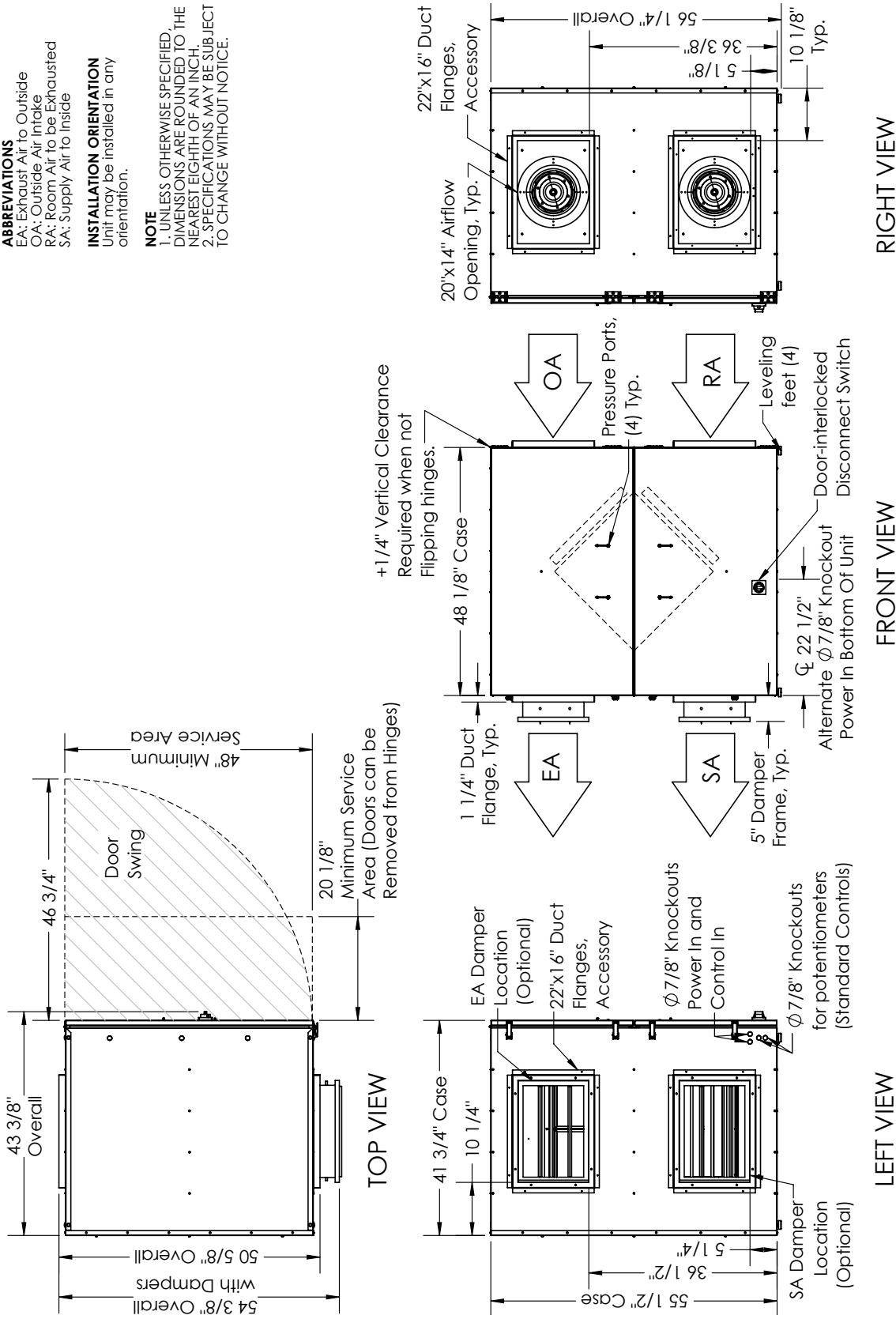
Can be mounted in any orientation. RA/EA airstream can be switched with OA/FA airstream unless certain options are selected. Duct configuration is field convertible.

HE15INH ENERGY RECOVERY VENTILATOR WITH BYPASS ECONOMIZER

ABBREVIATIONS
 EA: Exhaust Air to Outside
 OA: Outside Air Intake
 RA: Room Air to be Exhausted
 SA: Supply Air to Inside

INSTALLATION ORIENTATION
 Unit may be installed in any orientation.

NOTE
 1. UNLESS OTHERWISE SPECIFIED, DIMENSIONS ARE ROUNDED TO THE NEAREST EIGHTH OF AN INCH.
 2. SPECIFICATIONS MAY BE SUBJECT TO CHANGE WITHOUT NOTICE.



AIRFLOW CONFIGURATION

Available as shown in dimension drawing.

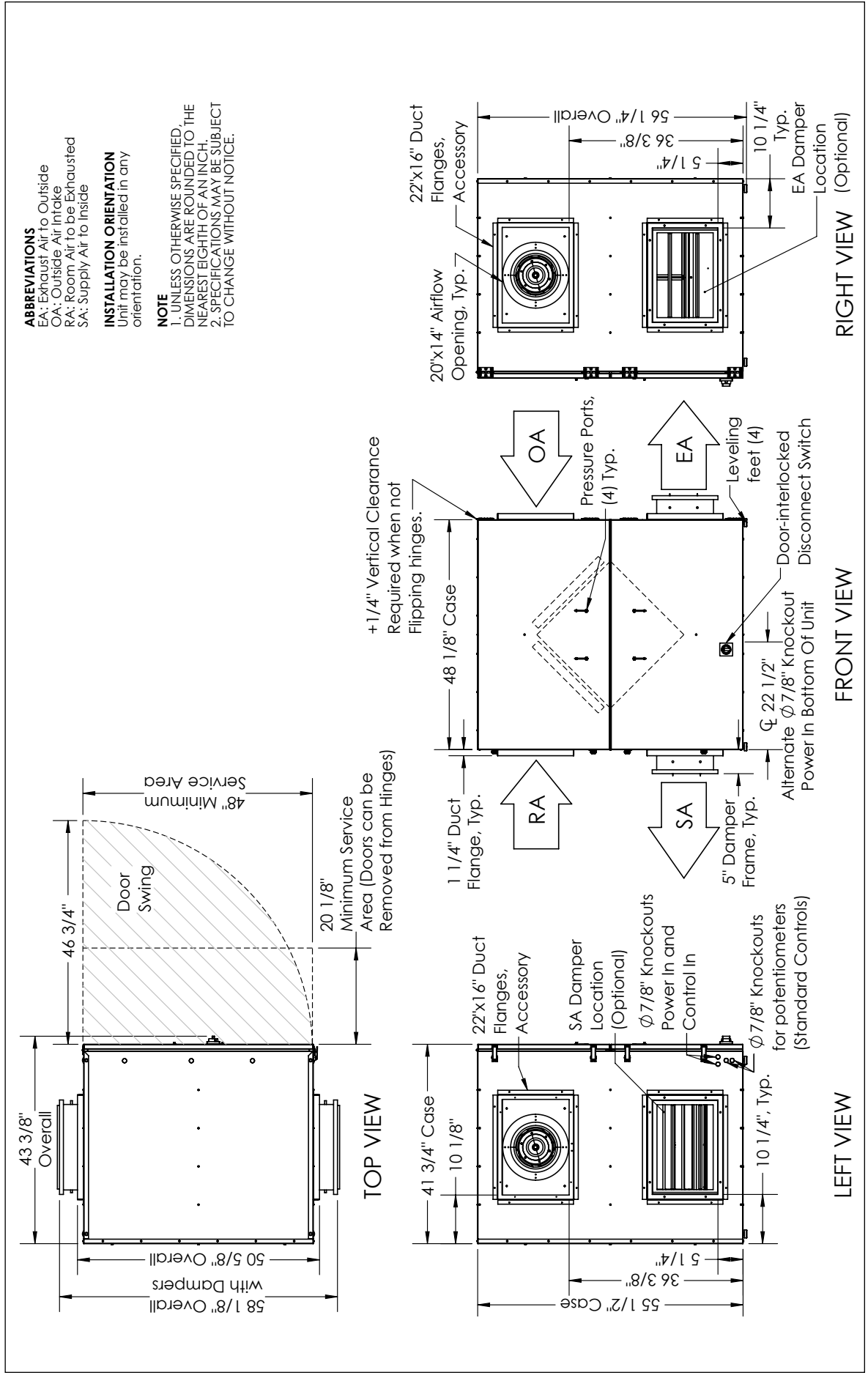


UNIT MOUNTING & APPLICATION

Can be mounted in any orientation. Airstreams cannot be switched.



HE15INV ENERGY RECOVERY VENTILATOR WITH BYPASS ECONOMIZER



ABBREVIATIONS

- EA: Exhaust Air To Outside
- OA: Outside Air Intake
- RA: Room Air to be Exhausted
- SA: Supply Air To Inside

INSTALLATION ORIENTATION

Unit may be installed in any orientation.

NOTE

1. UNLESS OTHERWISE SPECIFIED, DIMENSIONS ARE ROUNDED TO THE NEAREST EIGHTH OF AN INCH.
2. SPECIFICATIONS MAY BE SUBJECT TO CHANGE WITHOUT NOTICE.

AIRFLOW CONFIGURATION

Available as shown in dimension drawing.

UNIT MOUNTING & APPLICATION

Can be mounted in any orientation. Airstreams cannot be switched.

