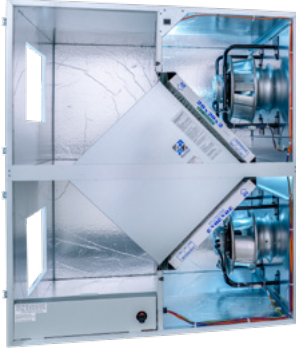


NEW! INDOOR UNIT



Energy recovery core is AHRI Certified®



SPECIFICATIONS

Ventilation Type: Static plate, heat and humidity transfer

Airflow Range: 500–2,200 CFM

AHRI 1060 Certified Core: Two L125-G5

Standard Features:

- Non-fused disconnect
- 24VAC transformer/relay package
- Cross-core differential pressure ports
- Independent blower control

Filters: Total qty. 4, MERV 8: 20" x 20" x 2"

Unit Weight: 371–581 lbs.

Max. Shipping Dimensions & Weight (on pallet):

H: 70" L x 47" W x 61 1/2" H
671 lbs.

Motor(s): Qty. 2, 770W ea., Direct drive EC motorized impeller packages (208-230V/1Ph/60HZ)

Options:

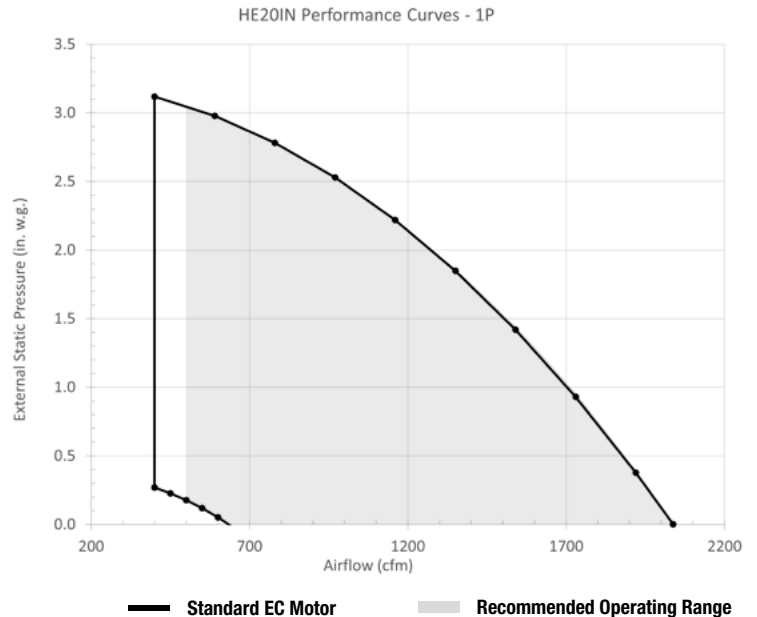
- Qty. 2, Direct drive EC motorized impeller packages
 - 2150W 208-230V/3Ph/60HZ (Advanced),
 - 2100W 460V/3Ph/60HZ (Advanced)
- Fused disconnect
- Integrated programmable controls: enhanced, premium
- Class 1 low leakage motorized isolation dampers:
 - SA, EA or both airstreams
- Factory mounted filter alarms: both airstreams
- Double wall construction
- Exterior paint: white, custom colors

Accessories:

- Filters: MERV 13, 2" (shipped loose)
- Automatic balancing damper: 4", 5", 6"
- Potentiometer speed control: remote installed
- Digital time clock: wall mount (TC7D-W),
 - in exterior enclosure (TC7D-E)
- Carbon dioxide sensor/control:
 - wall mount (CO2-W), duct mount (CO2-D)
- IAQ sensor: wall mount (IAQ-W), duct mount (IAQ-D)
- Motion occupancy sensor/control:
 - ceiling mount (MC-C), wall mount (MC-W)
- Smoke detector: duct mount (SD-D)
- BACnet fan control: wall mount (BACNETFC-W)
- Indoor electric duct heater: EK series (1–175 kW)
- Indirect gas-fired duct furnace: GH series (50–400 MBH);
 - installed downstream of any fans
- Hanging Spring Vibration Isolation Kit
- Duct flange kit: square 16" x 22", 2 flanges

1-PHASE EC MOTOR OPERATING RANGE AND FAN PERFORMANCE

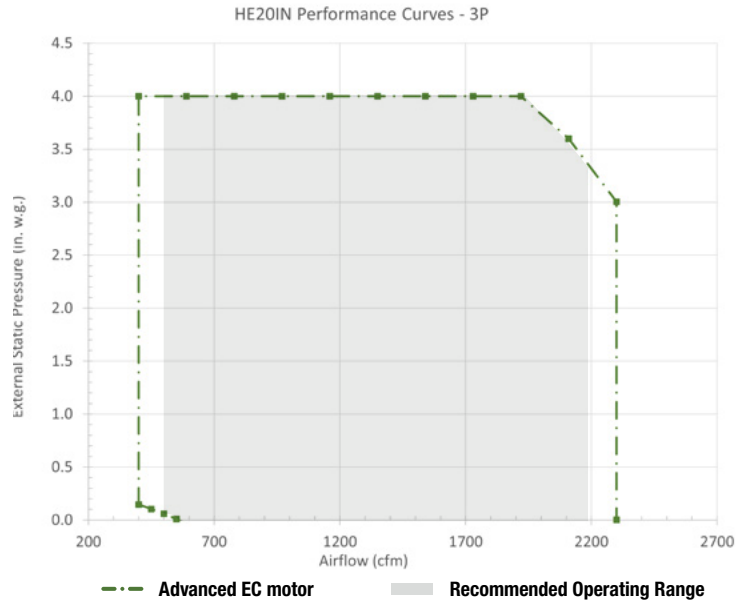
Airflow (CFM)	Standard EC	
	External Static Pressure (Inches Water Column)	Unit Power Consumption (Watts)
HE20IN MOTOR 1P/208-230V Option		
400	3.12	1026
590	2.98	1133
780	2.78	1234
970	2.53	1322
1160	2.22	1391
1350	1.85	1434
1540	1.42	1446
1730	0.93	1420
1920	0.38	1349
2038	0.00	1280



3-PHASE EC MOTOR OPERATING RANGE AND FAN PERFORMANCE

HE20IN MOTOR 3P/208-230V Option		
Airflow (CFM)	Advanced EC	
	External Static Pressure (Inches Water Column)	Unit Power Consumption (Watts)
400	4.00	1526
590	4.00	1696
780	4.00	1902
970	4.00	2143
1160	4.00	2419
1350	4.00	2729
1540	4.00	3079
1730	4.00	3474
1920	4.00	3929
2110	3.60	4102
2300	3.00	4101

HE20IN MOTOR 3P/460V Option		
Airflow (CFM)	Advanced EC	
	External Static Pressure (Inches Water Column)	Unit Power Consumption (Watts)
400	4.00	1454
590	4.00	1615
780	4.00	1812
970	4.00	2041
1160	4.00	2304
1350	4.00	2599
1540	4.00	2932
1730	4.00	3309
1920	4.00	3742
2110	3.60	3907
2300	3.00	3906

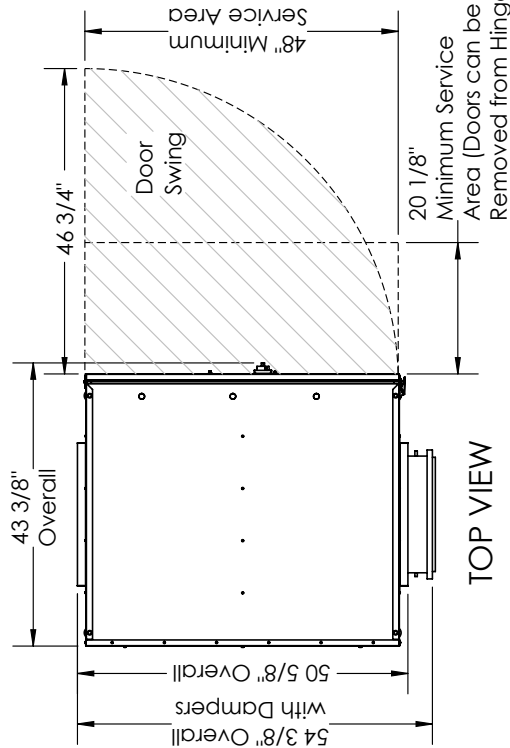


Note: Watts is for the entire unit. Airflow performance include effect of clean, standard filter supplied with unit.

ELECTRICAL DATA

Option	Watts	Volts	Hz	Phase	FLA per motor	Min. Cir. Amps	Max. Overcurrent Protection Device
[EE] Standard	770	208-230	60	Single	3.4	7.7	15
[AA] Advanced	2150	208-230	60	Three	5.7	12.8	15
	2100	460	60	Three	2.9	6.5	15

HE20INH ENERGY RECOVERY VENTILATOR

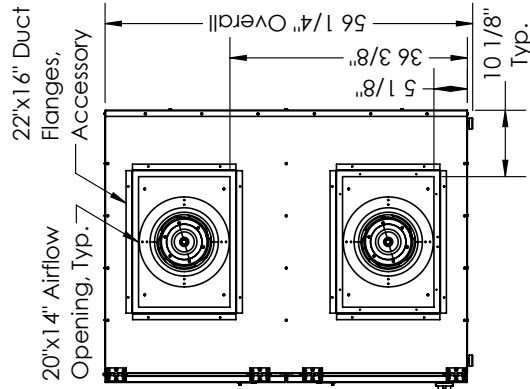
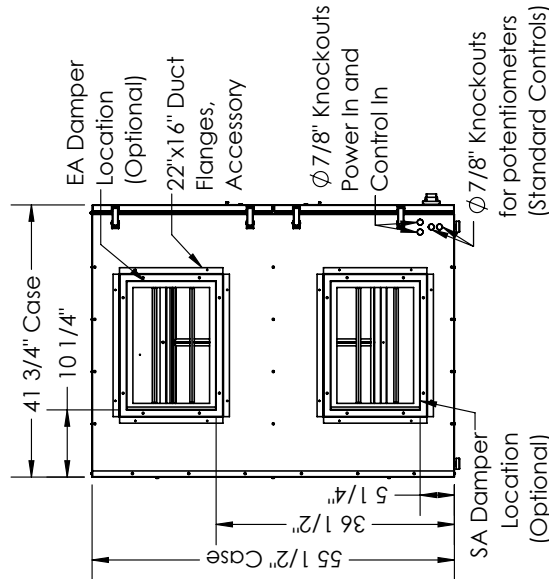
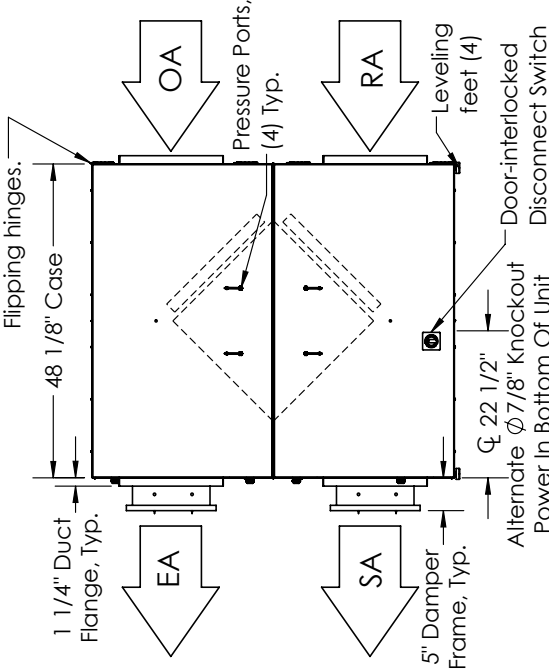


ABBREVIATIONS
 EA: Exhaust Air to Outside
 OA: Outside Air Intake
 RA: Room Air to be Exhausted
 SA: Supply Air to Inside

INSTALLATION ORIENTATION
 Unit may be installed in any orientation.

NOTE
 1. UNLESS OTHERWISE SPECIFIED, DIMENSIONS ARE ROUNDED TO THE NEAREST EIGHTH OF AN INCH.
 2. SPECIFICATIONS MAY BE SUBJECT TO CHANGE WITHOUT NOTICE.

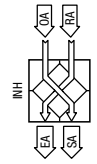
+1/4" Vertical Clearance Required when not Flipping hinges.



RIGHT VIEW

FRONT VIEW

LEFT VIEW

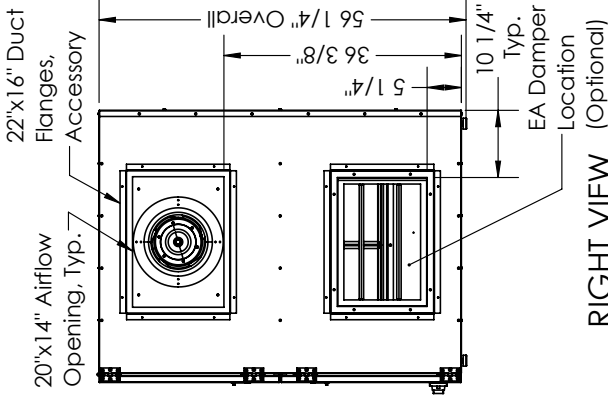
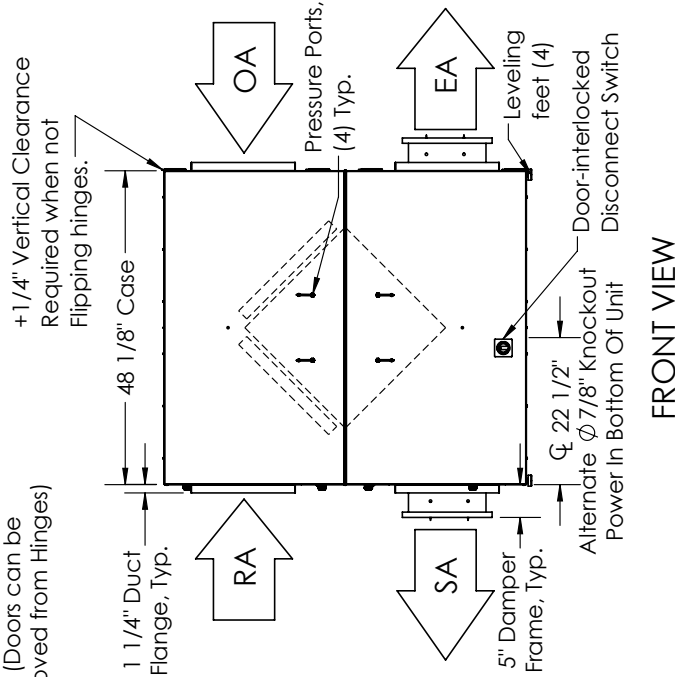
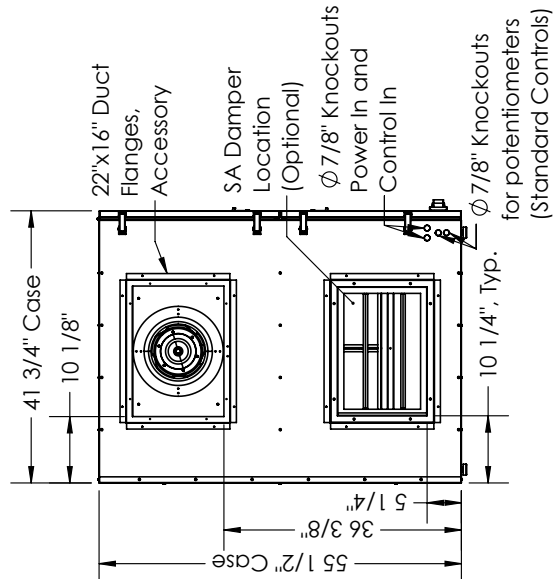
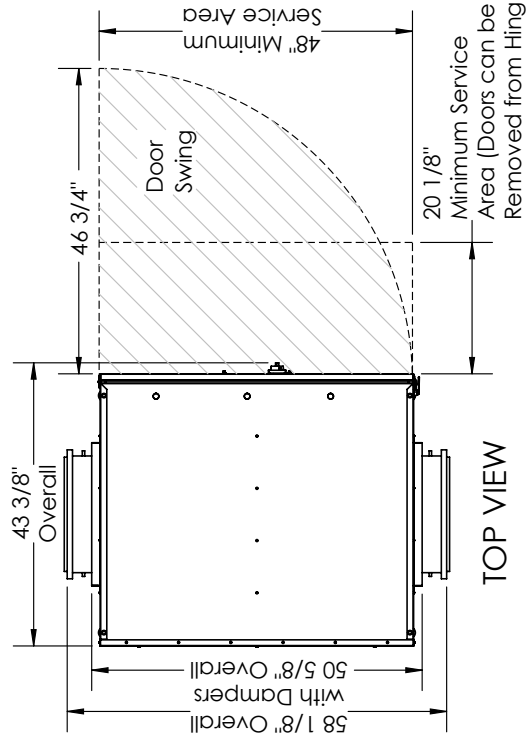


AIRFLOW ORIENTATION
 Available as shown in dimension drawing.

UNIT MOUNTING & APPLICATION
 Can be mounted in any orientation. RA/EA airstream can be switched with OA/FA airstream unless certain options are selected.



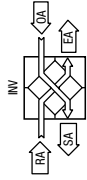
HE20INV ENERGY RECOVERY VENTILATOR



ABBREVIATIONS
 EA: Exhaust Air to Outside
 OA: Outside Air Intake
 RA: Room Air to be Exhausted
 SA: Supply Air to Inside

INSTALLATION ORIENTATION
 Unit may be installed in any orientation.

NOTE
 1. UNLESS OTHERWISE SPECIFIED, DIMENSIONS ARE ROUNDED TO THE NEAREST EIGHTH OF AN INCH.
 2. SPECIFICATIONS MAY BE SUBJECT TO CHANGE WITHOUT NOTICE.



AIRFLOW ORIENTATION
 Available as shown in dimension drawing.



UNIT MOUNTING & APPLICATION
 Can be mounted in any orientation. RA/EA airstream can be switched with OA/FA airstream unless certain options are selected.